

# Futuro Futuro

## RANGE HOOD

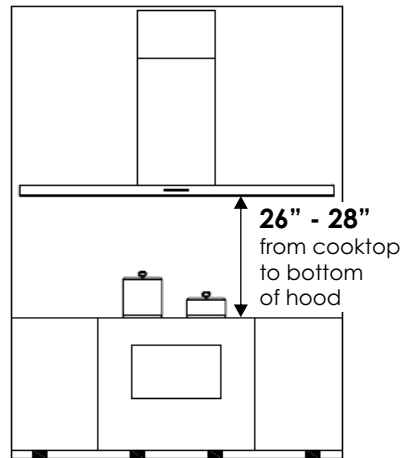
### INSTALLATION MANUAL

#### MODEL: VIALE ISLAND

#### NOTE: PRIOR TO INSTALLATION

Please inspect range hood visually, as well as connect it to power supply and test its operation.

#### 1 RECOMMENDED INSTALLATION HEIGHT

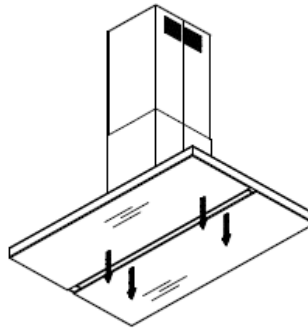


#### 2

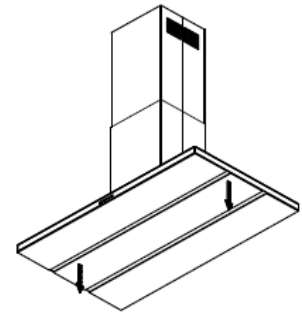
#### MAGNETIC PANEL NOTE

The filter cover panels are held by magnets. To open panels, pull down on the edge of the panel, in BOTH indicated spots. Avoid pulling on panel in only ONE spot, to avoid potential skewing or warping.

36" Model  
2 panels, both open



48" Model  
3 panels, only center panel opens

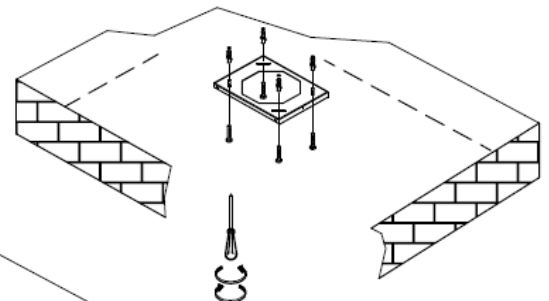
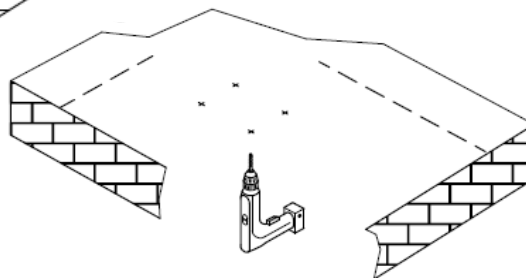
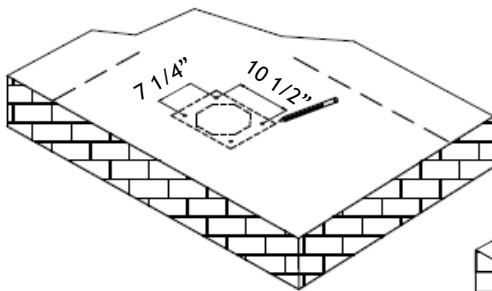


#### 3

#### INSTALL CEILING PLATE

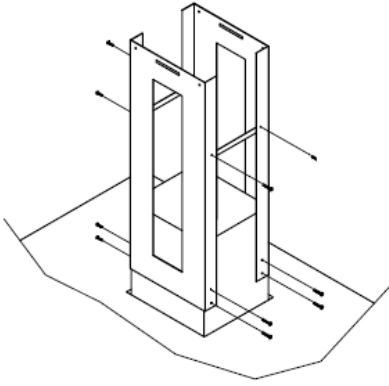
The range hood should be centered over the cooking area.

- 1.) Place the ceiling plate against the ceiling, and mark the location of screw holes.
  - 2.) Remove ceiling plate & drill holes.
  - 3.) Attach ceiling plate securely with screws.
- NOTE: concrete / masonry ceilings: use plastic anchors / toggle bolts, as necessary.

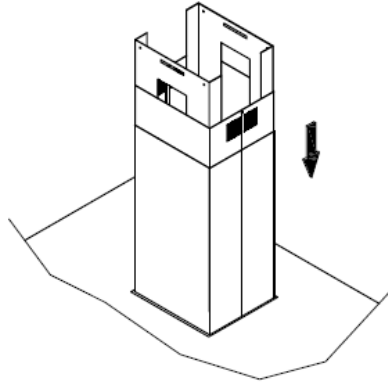


**4****ADJUST CHIMNEY**

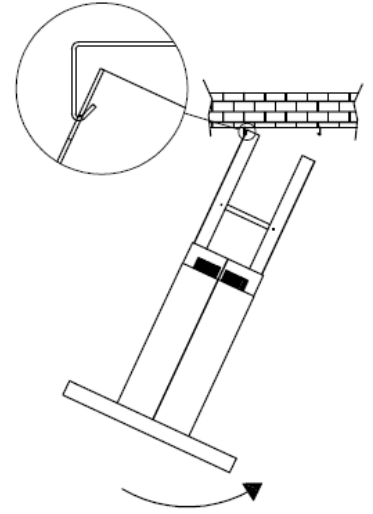
The vertical chimney is height-adjustable.  
 1.) Remove retaining screws.  
 2.) Adjust chimney to desired height.  
 NOTE: bottom of the range hood should be 26" to 28" above cooktop, for best performance.  
 3.) Replace retaining screws.

**5****ADD CHIMNEY COVERS**

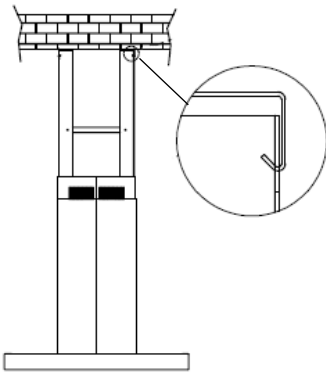
Place the chimney cover/s (1 or both, depending on height) onto the chimney structure.  
 NOTE: DO NOT REMOVE the protective plastic film, in order to avoid scratches during installation.

**6****ATTACH CHIMNEY TO CEILING (1/2)**

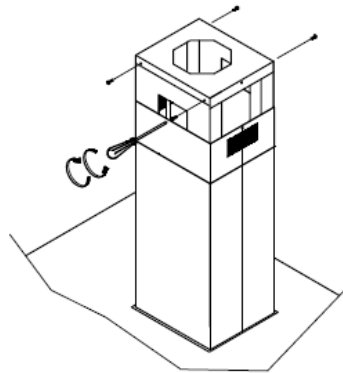
Secure the chimney into the ceiling plate.

**7****ATTACH CHIMNEY TO CEILING (2/2)**

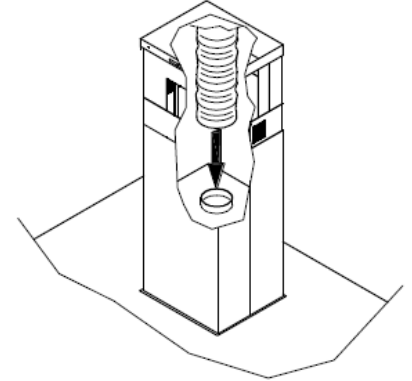
Secure the other side of the chimney into the ceiling plate.

**8****SECURE CHIMNEY TO PLATE**

Screw the chimney into the ceiling plate, with provided screws.

**9****INSTALL DUCT & ELECTRIC**

Connect the duct & power cable.  
 NOTE: Duct should be 6" round, RIGID type (NOT flexible).

**10****SECURE CHIMNEY COVERS**

1.) Secure chimney covers with screws.  
 2.) Remove protective film.

