

Futuro Futuro

RANGE HOOD

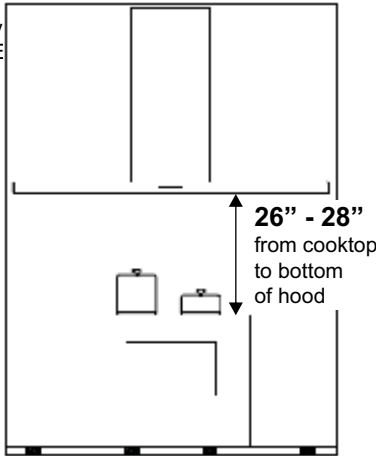
INSTALLATION MANUAL

MODEL: SILVANA ISLAND

NOTE: PRIOR TO INSTALLATION
Please inspect range hood visually, as well as connect it to power supply and test its operation.

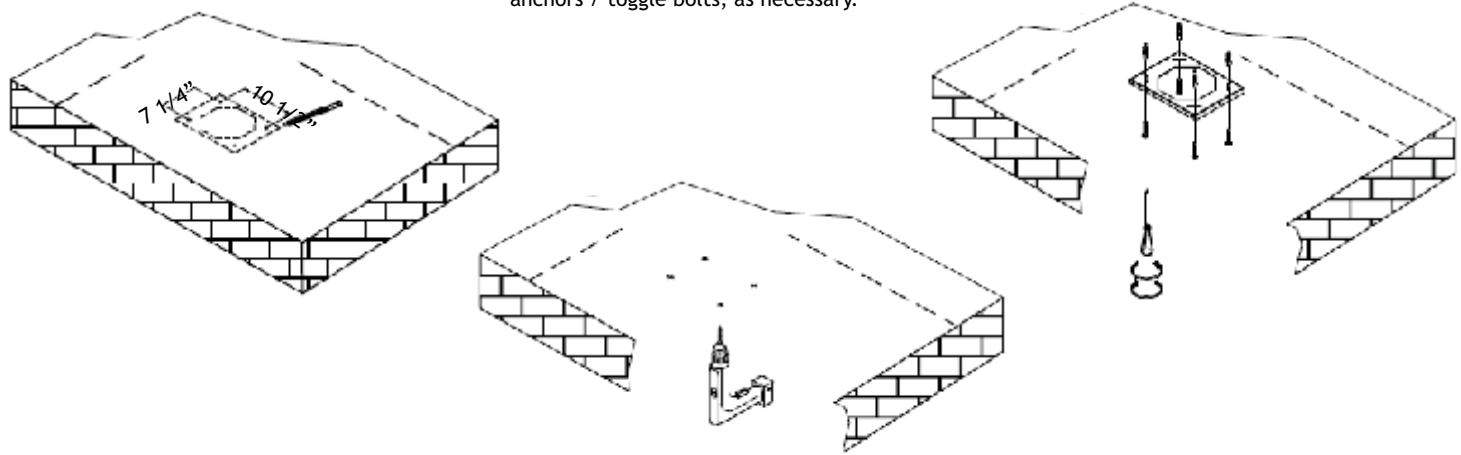
1 RECOMMENDED INSTALLATION HEIGHT

onto the chimney
NOTE: DO NOT RE



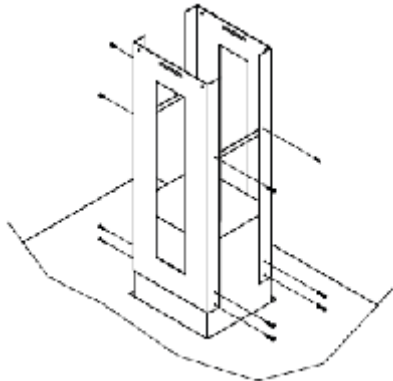
2 INSTALL CEILING PLATE

The range hood should be centered over the cooking area.
1.) Place the ceiling plate against the ceiling, and mark the location of screw holes.
2.) Remove ceiling plate & drill holes.
3.) Attach ceiling plate securely with screws.
NOTE: concrete / masonry ceilings: use plastic anchors / toggle bolts, as necessary.



3 ADJUST CHIMNEY

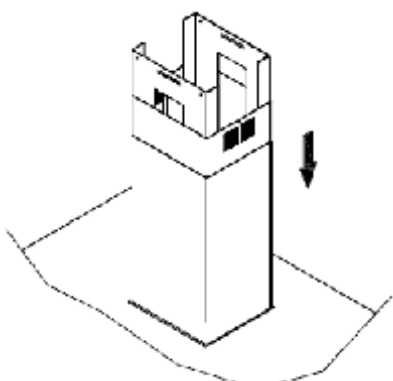
The vertical chimney is height-adjustable.
1.) Remove retaining screws.
2.) Adjust chimney to desired height.
NOTE: bottom of the range hood should be 26 inches to 28 inches above cooktop, for best performance.
3.) Replace retaining screws.



4 ADD CHIMNEY COVERS

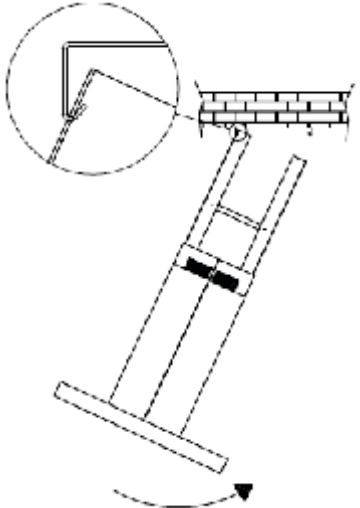
Place the chimney cover/s (1 or both, depending on height)

protective plastic film, in order to avoid scratches during installation.



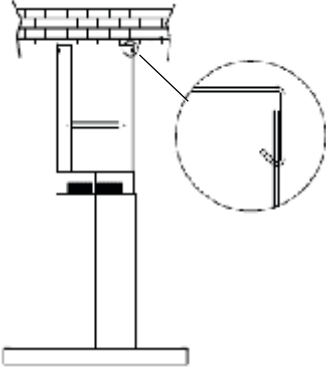
5 ATTACH CHIMNEY TO CEILING (1/2)

Secure the chimney into the ceiling plate.



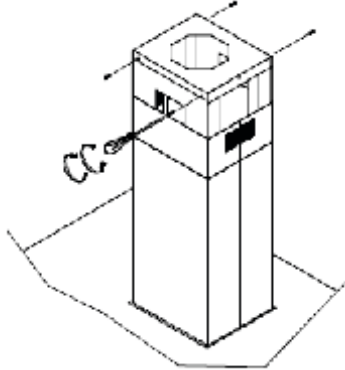
6 ATTACH CHIMNEY TO CEILING (2/2)

Secure the other side of the chimney into the ceiling plate.



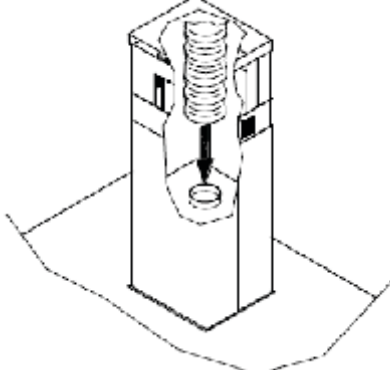
7 SECURE CHIMNEY TO PLATE

Screw the chimney into the ceiling plate, with provided screws.



8 INSTALL DUCT & ELECTRIC

Connect the duct & power cable.
NOTE: Duct should be 6" round, RIGID type (NOT flexible).



9 SECURE CHIMNEY COVERS

- 1.) Secure chimney covers with screws.
- 2.) Remove protective film.

