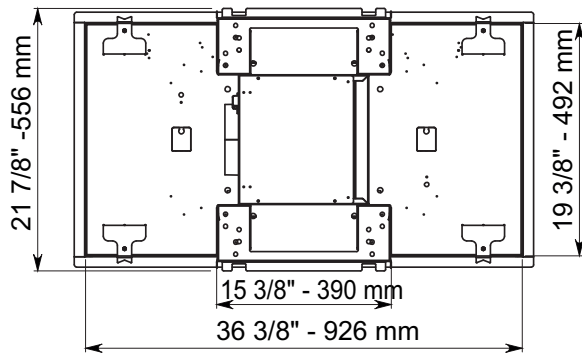
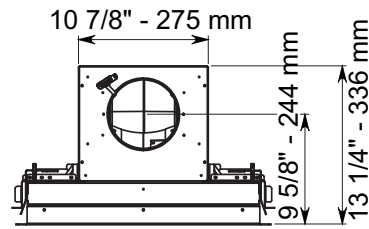
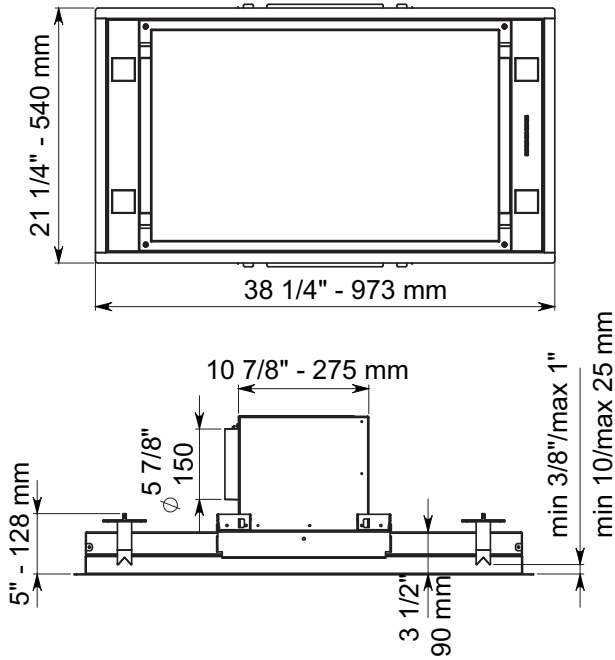
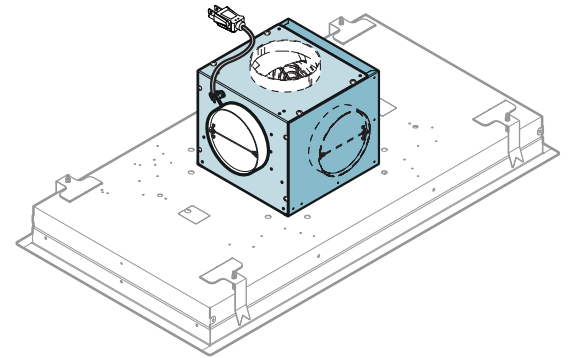


MODEL: STEALTH ISLAND RANGE HOOD

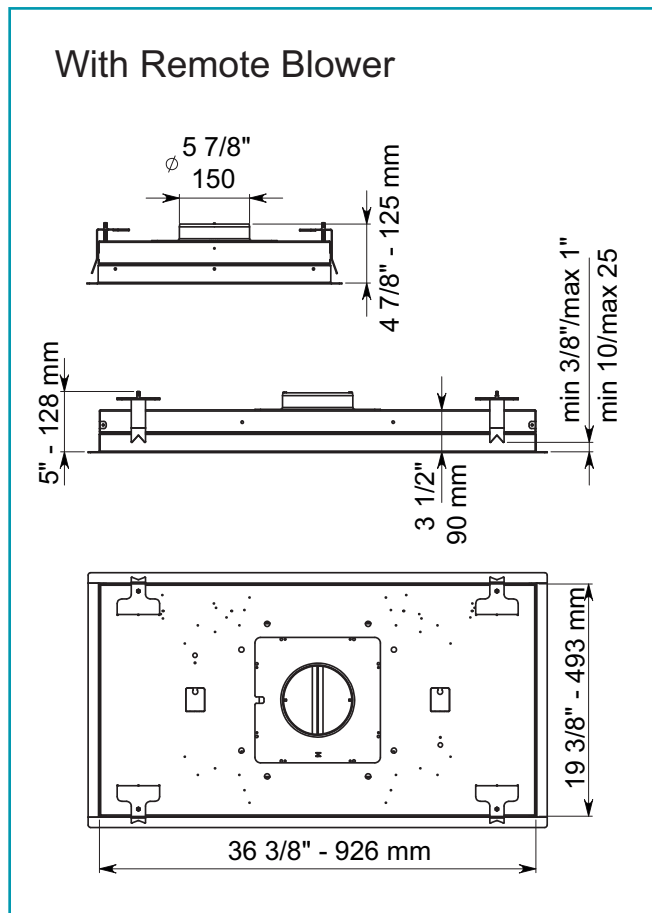
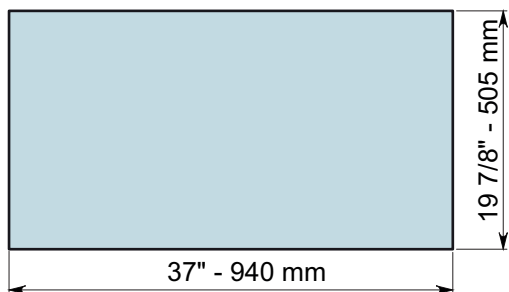
120VAC 60Hz 280W



38" STEALTH ISLAND
68lb - 31 Kg

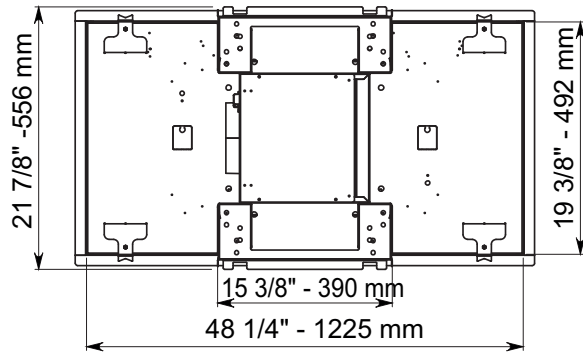
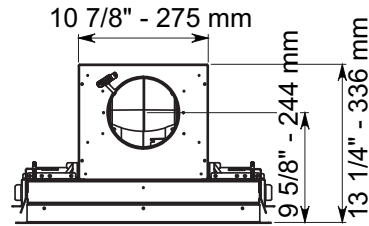
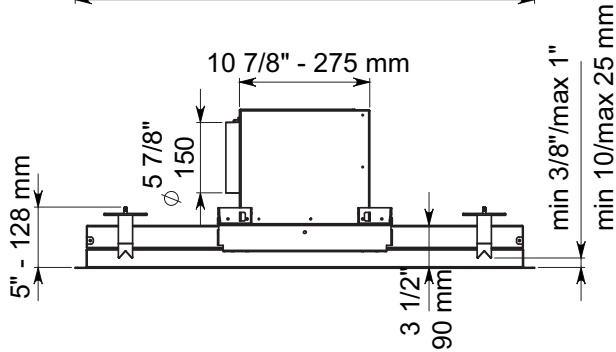
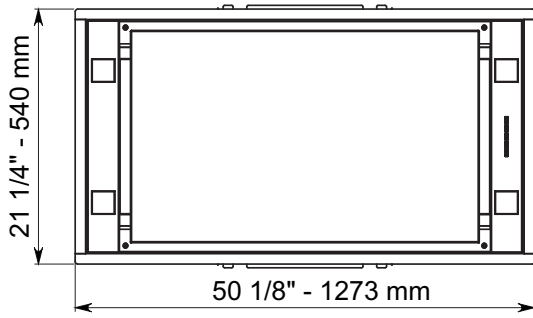


HOLE SIZES
DIMENSIONE FORATURA

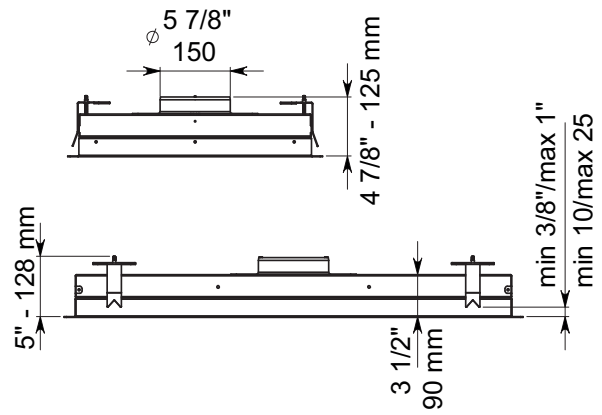




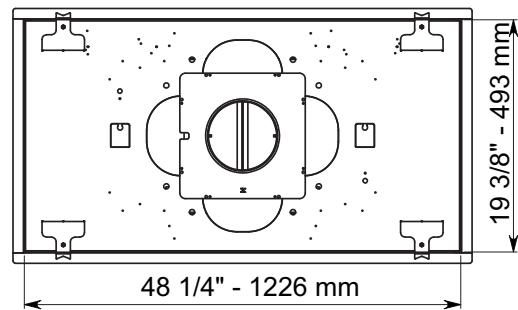
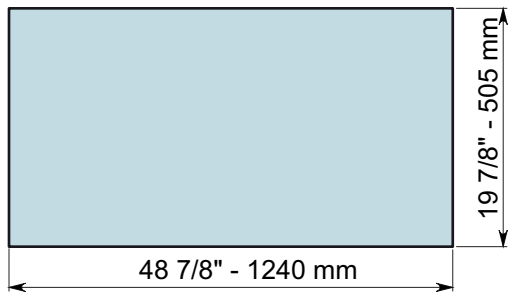
48" STEALTH ISLAND
81lb - 37 Kg



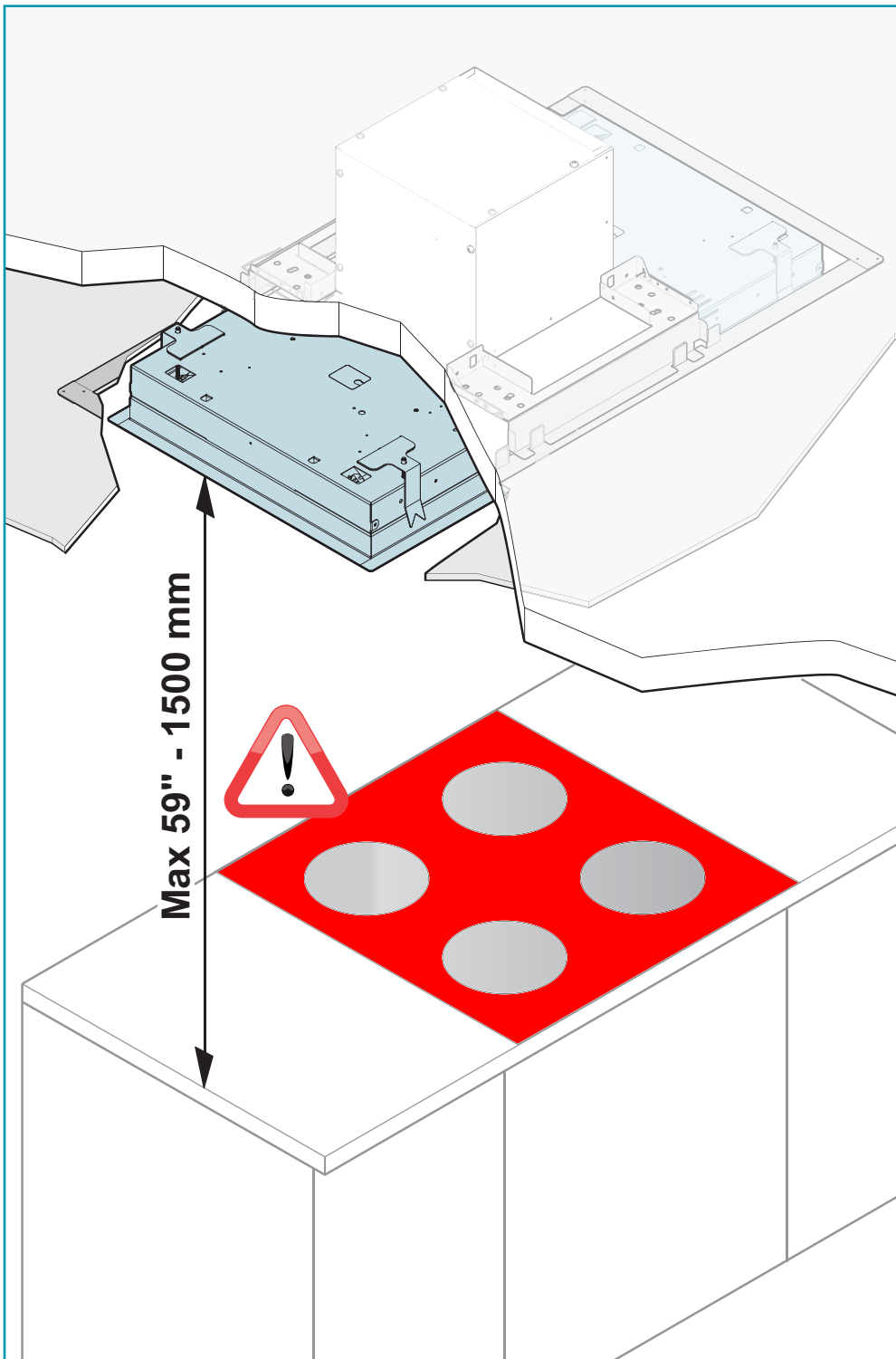
With Remote Blower



HOLE SIZES
DIMENSIONE FORATURA

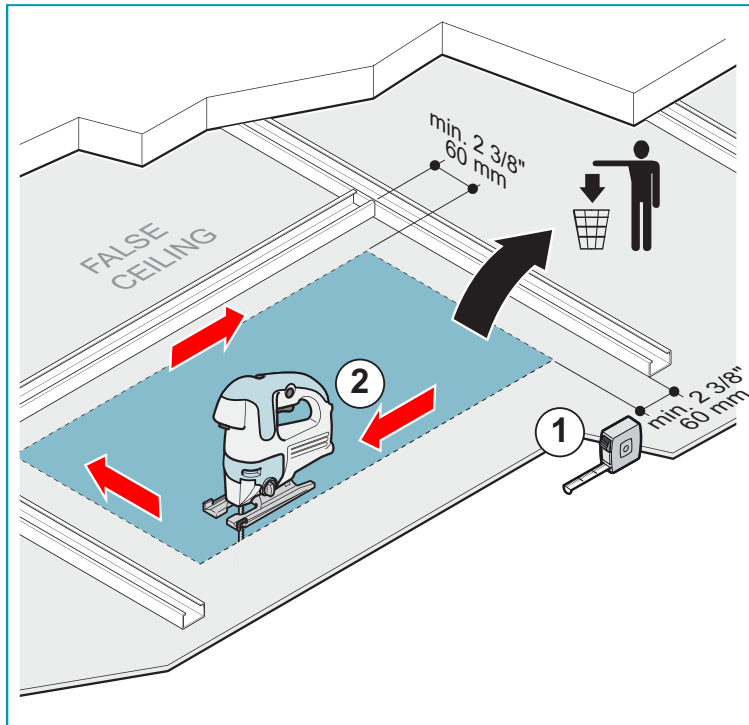


Measurements for installation.

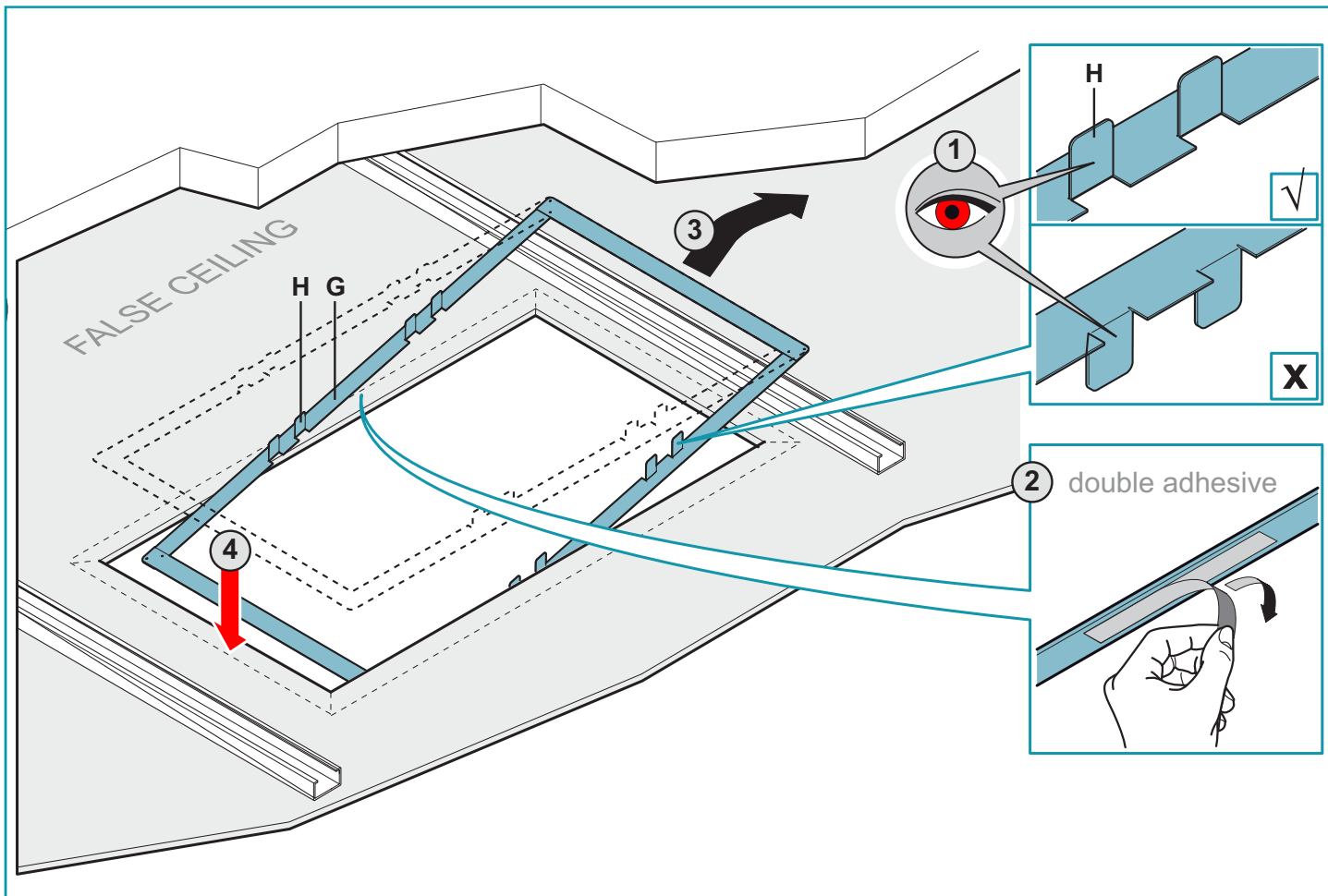


Preliminary operations

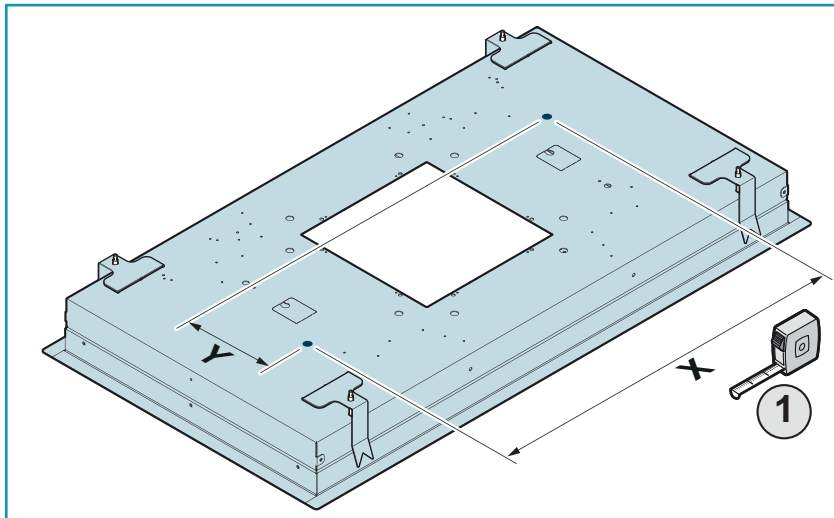
Cutting the plasterboard



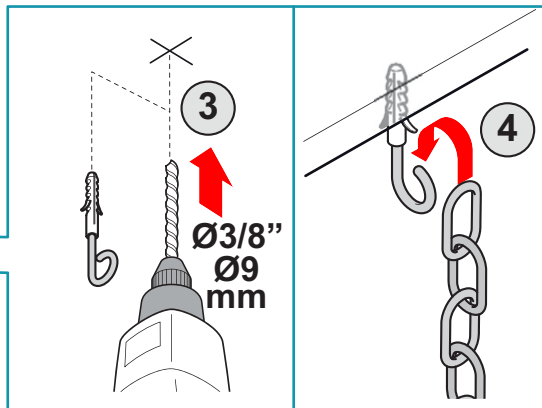
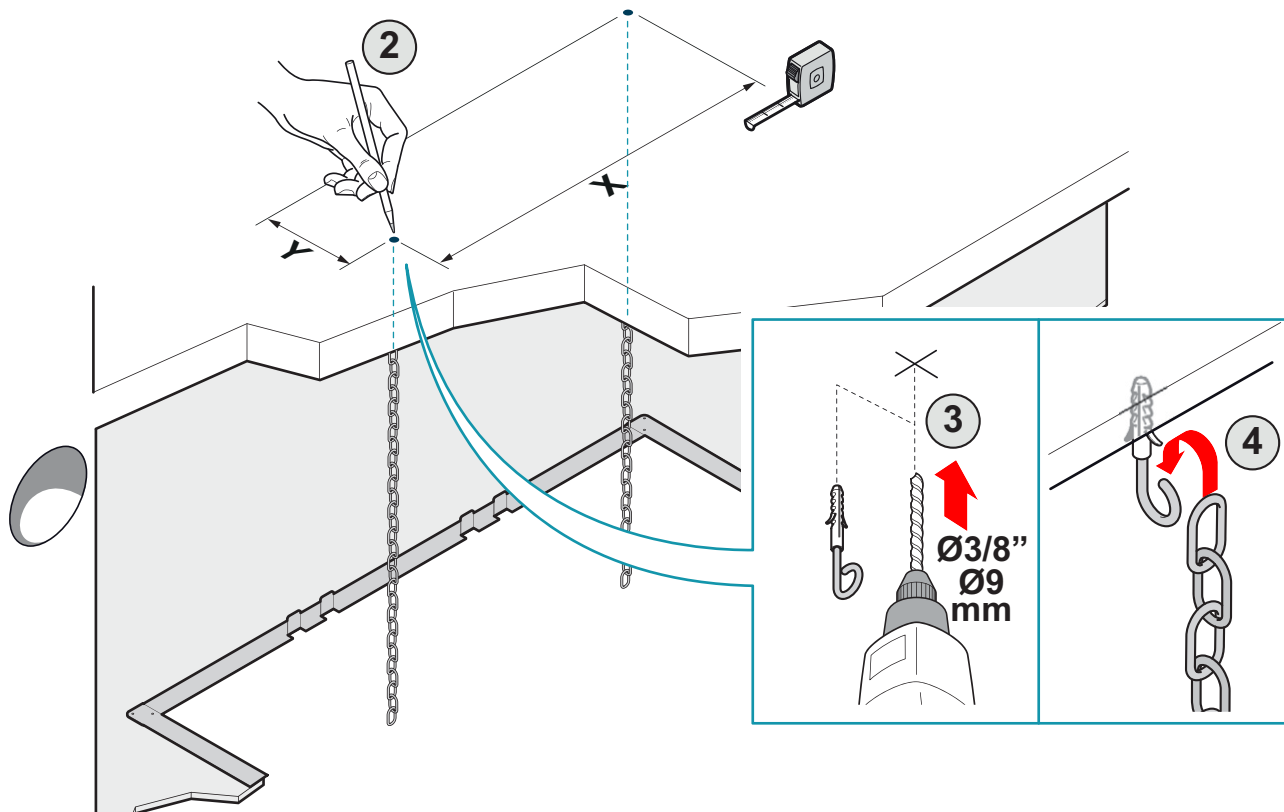
Inserting the supporting frame



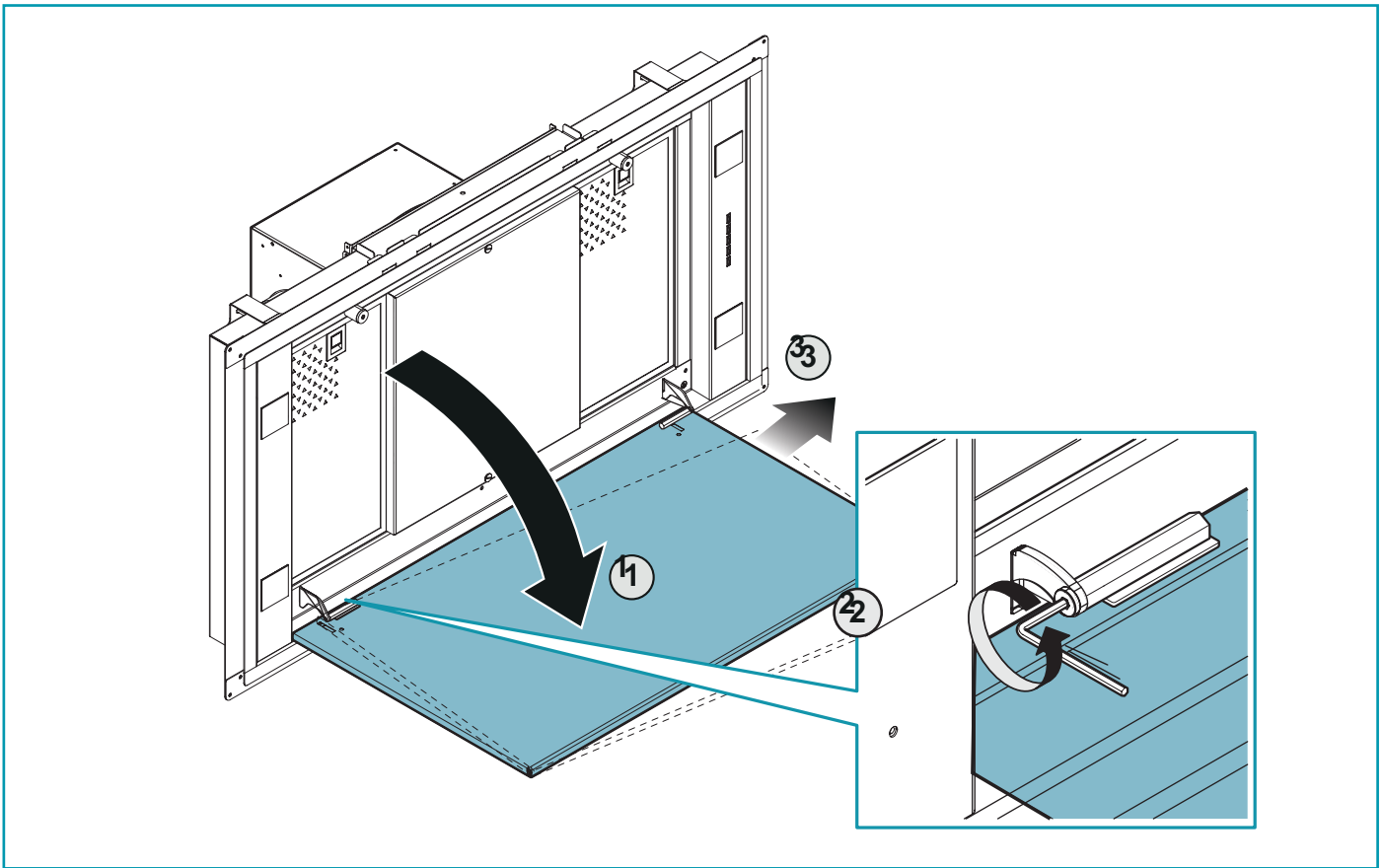
Preliminary operations: fixing the mandatory safety chains to the ceiling.



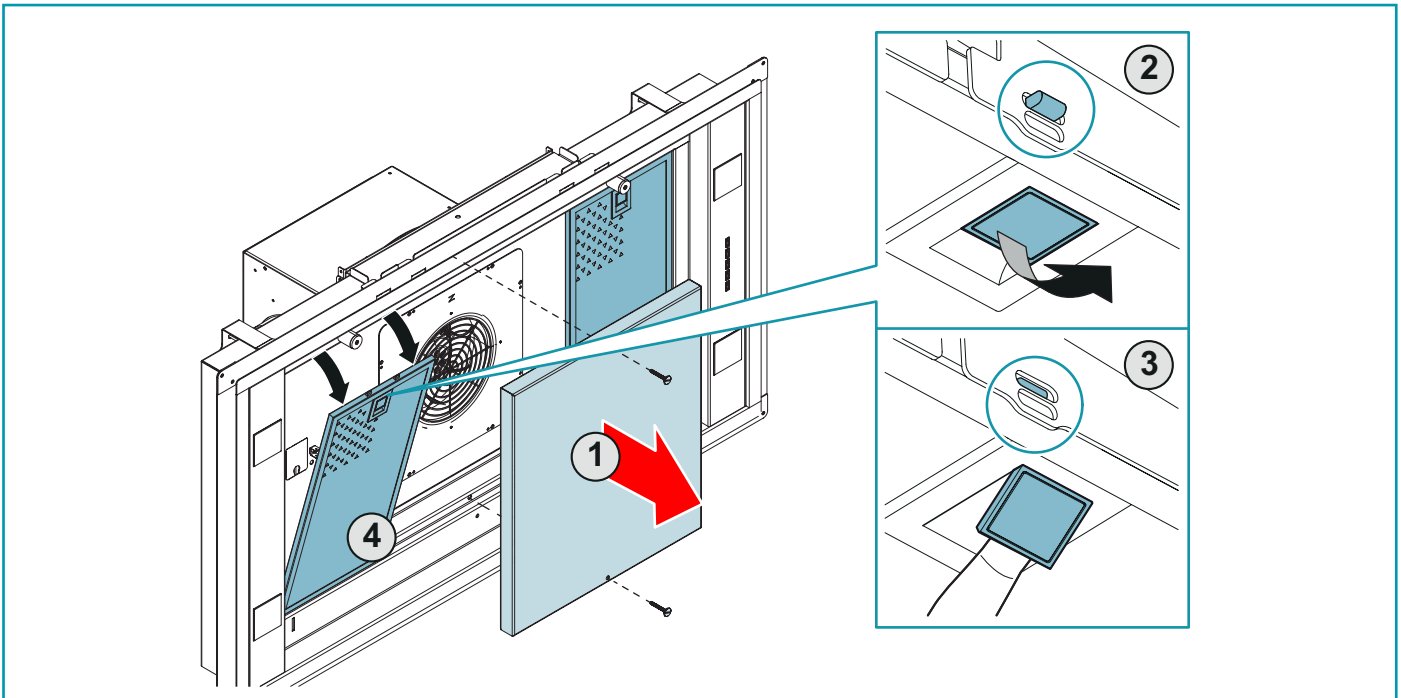
	38"	50"
X	20 1/2" (520 mm)	30 6/8" (780 mm)
Y	10 1/2" (266 mm)	10 1/2" (266 mm)



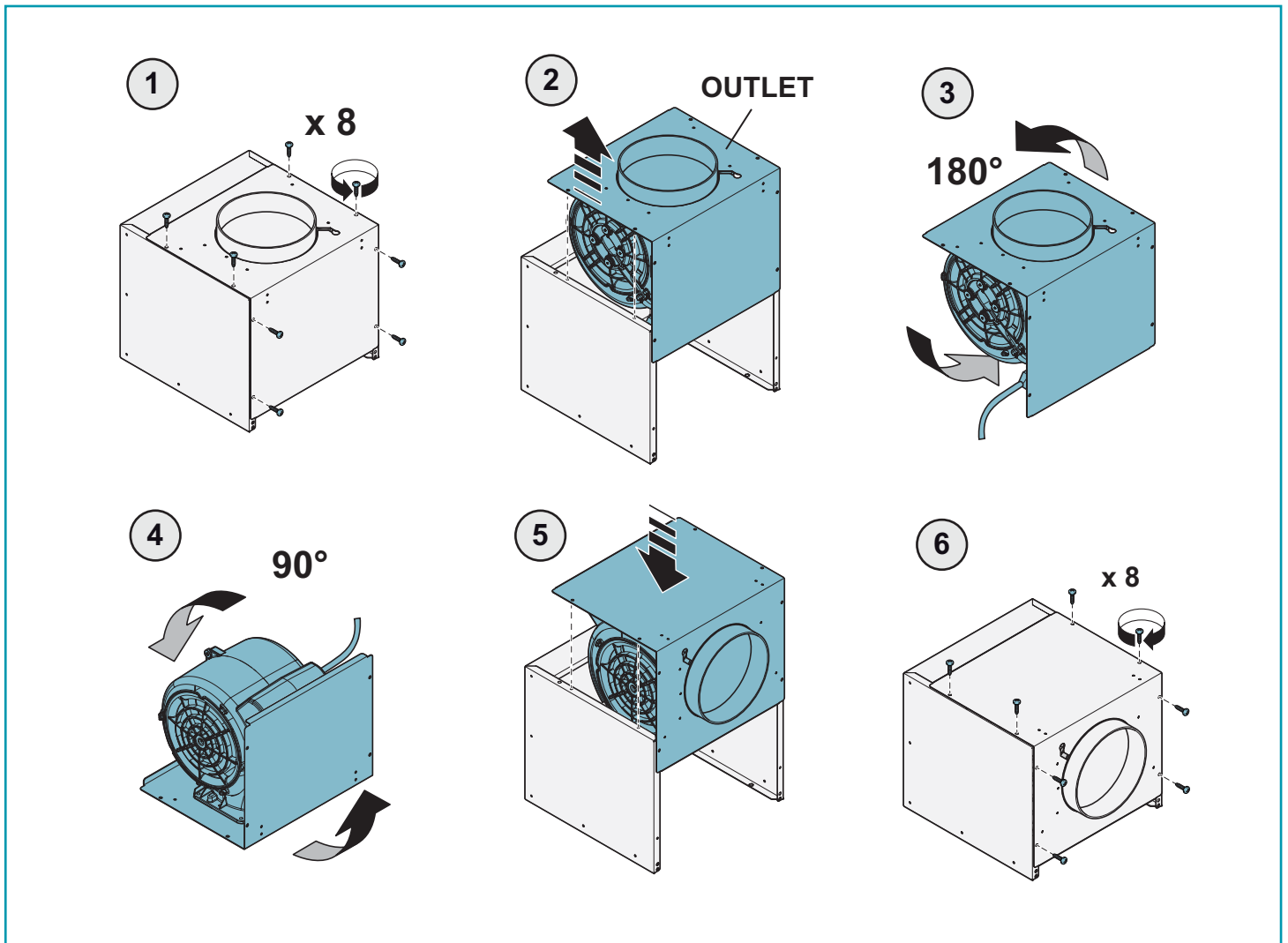
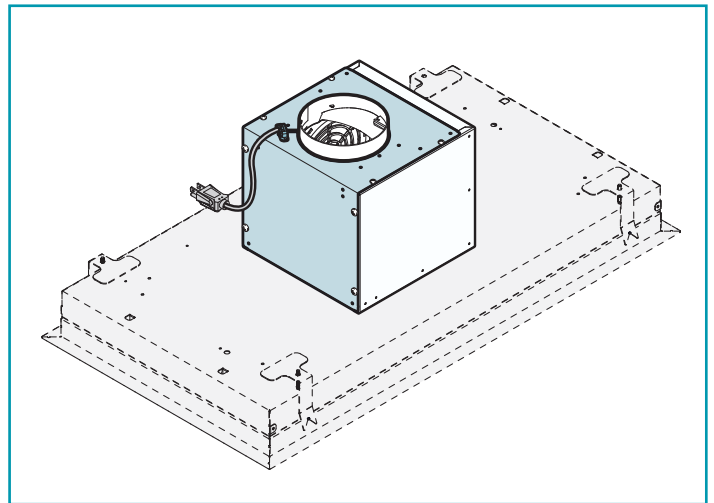
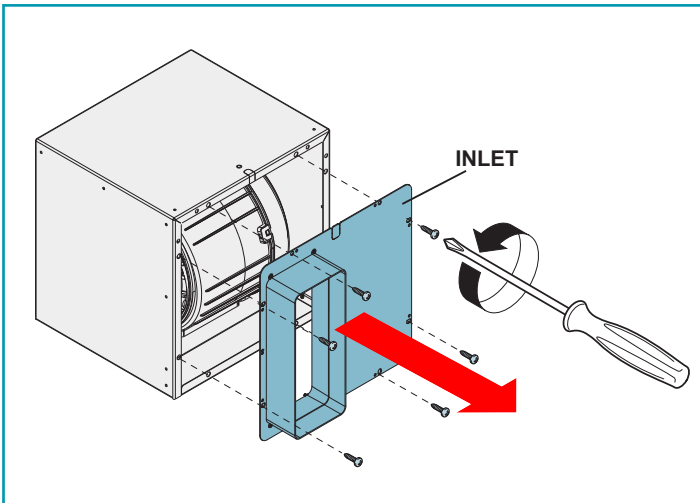
Open the panel



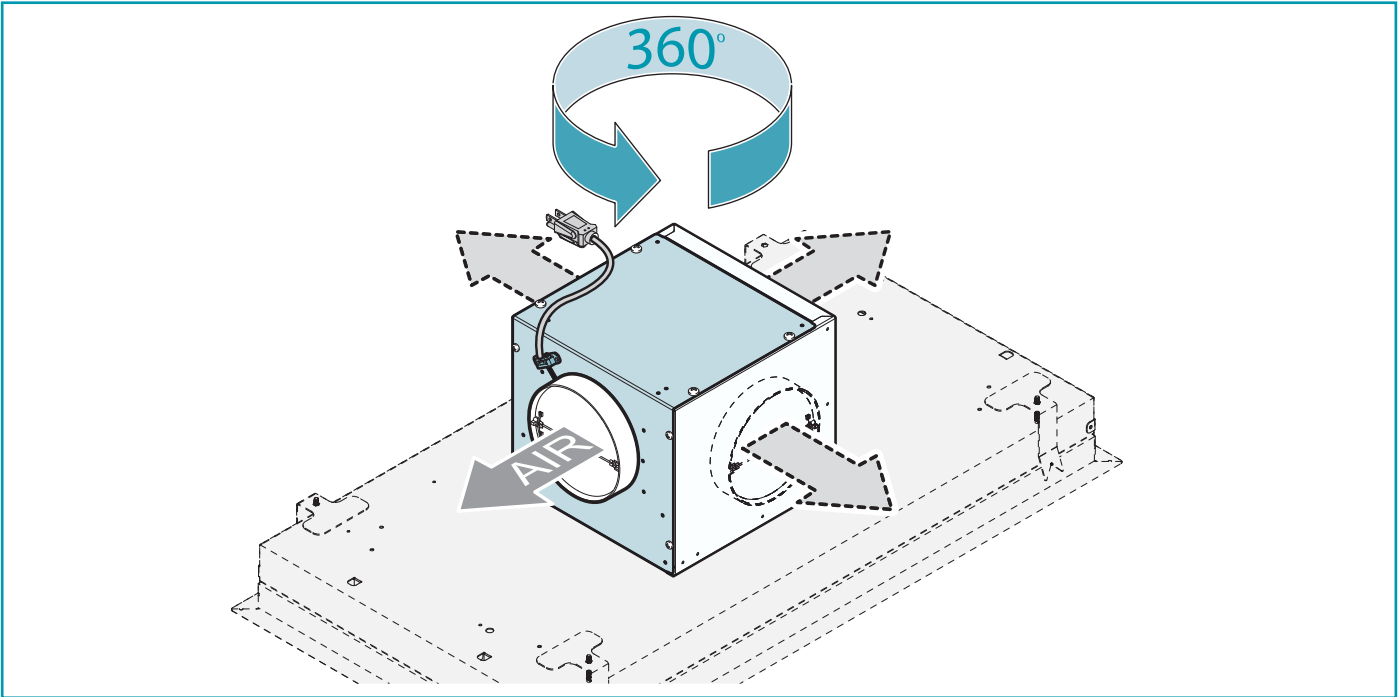
Remove the filters



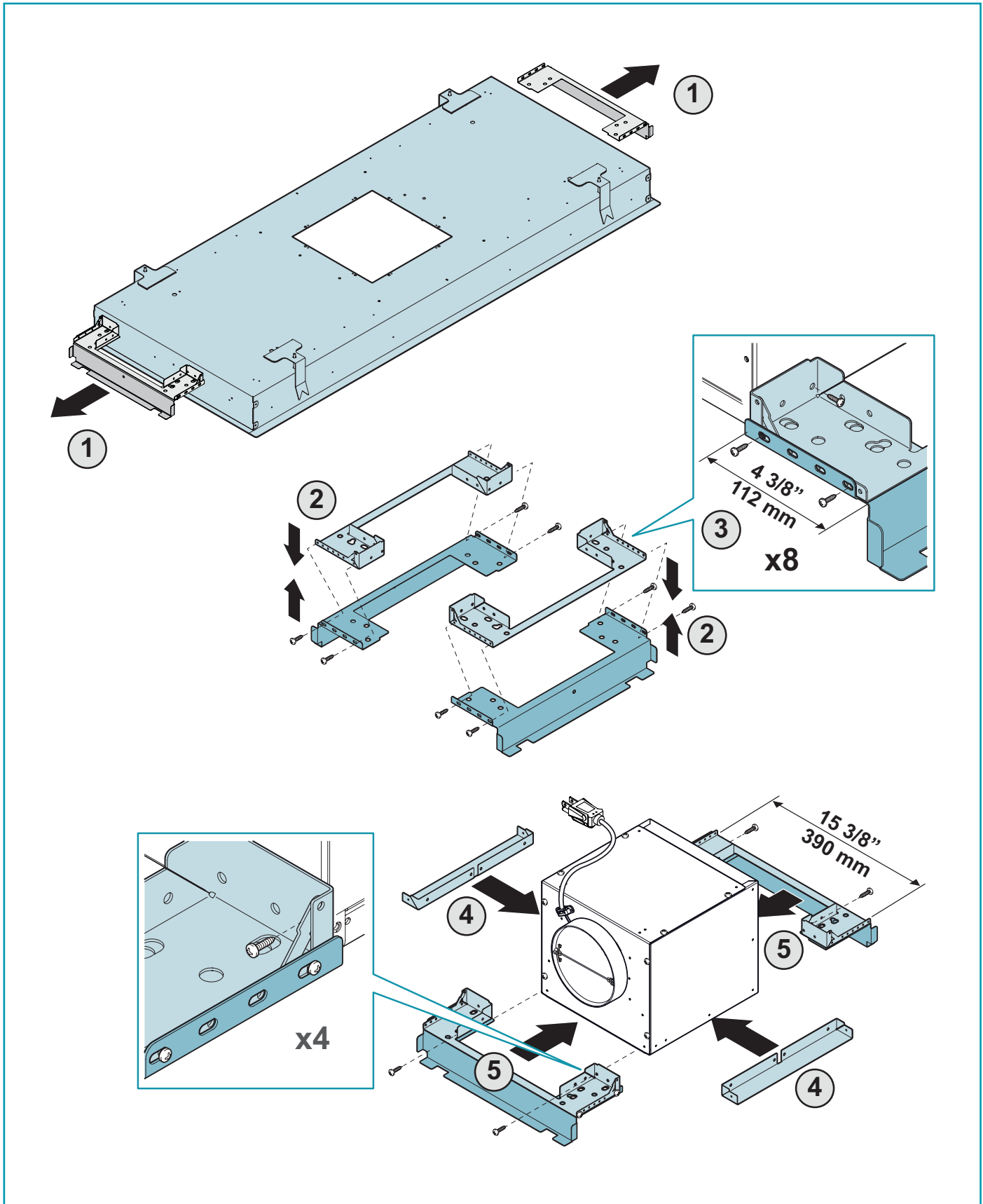
Remove the flange from the motor.



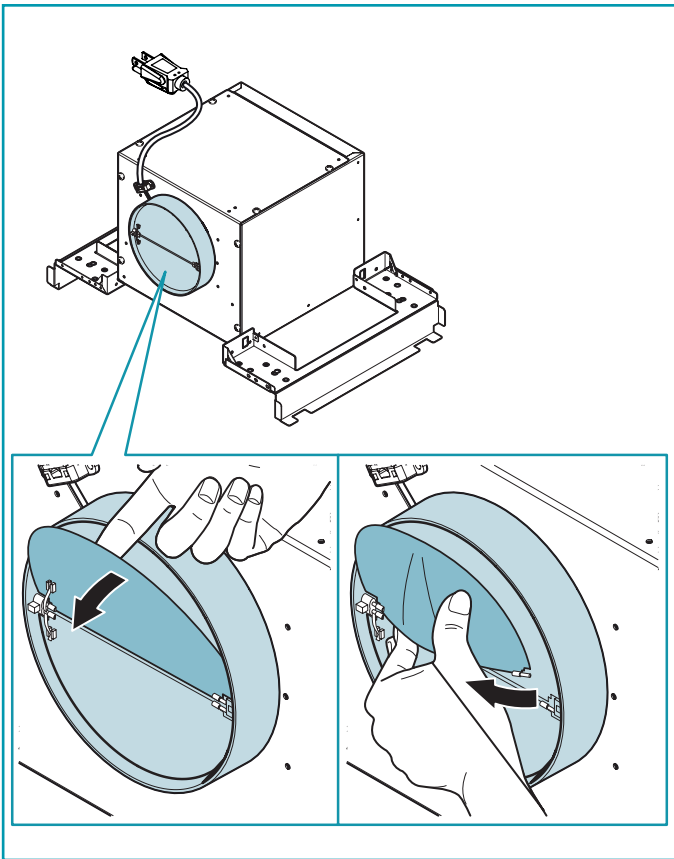
Side movement of the air exhaust



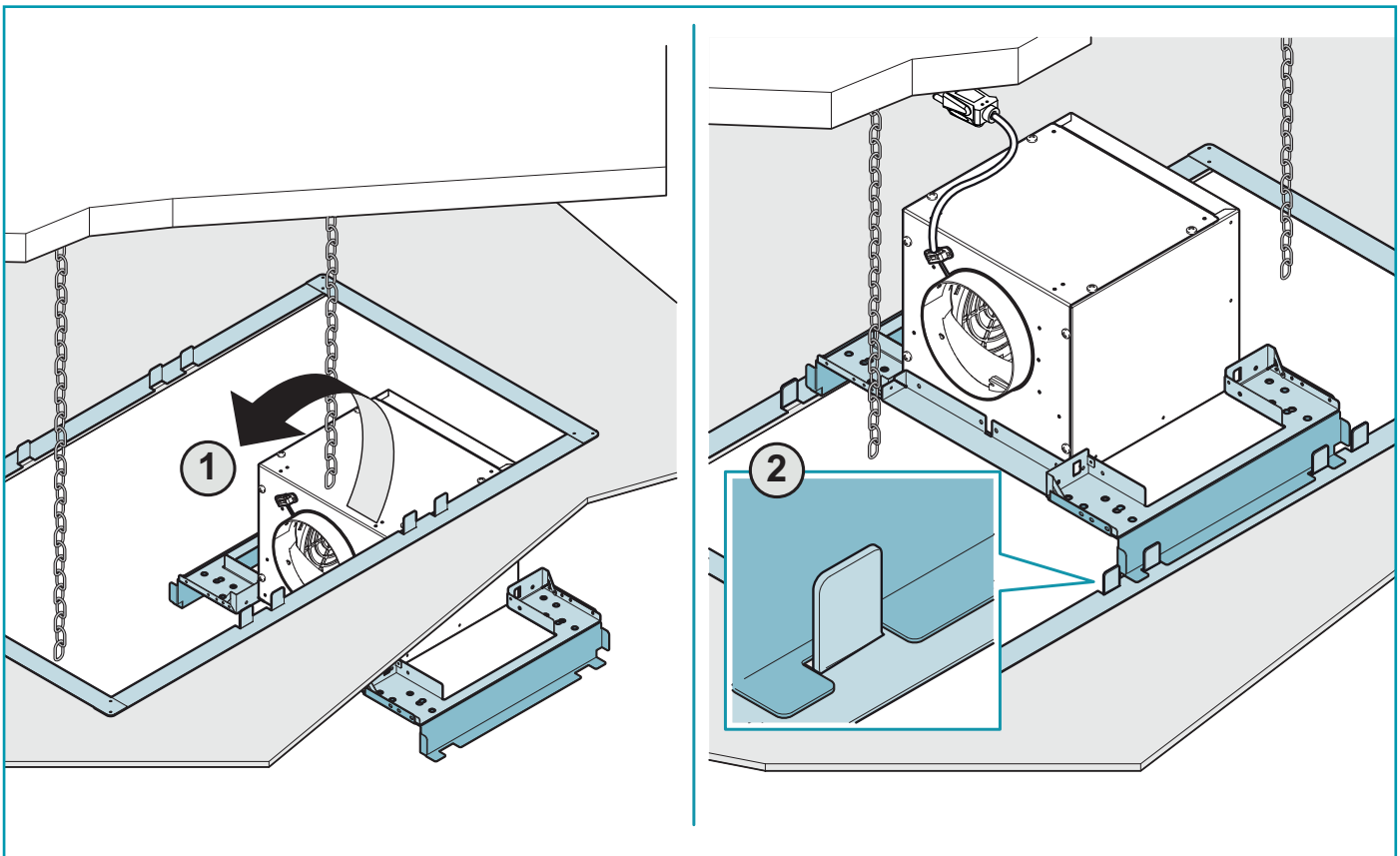
Fixing the motor support brackets



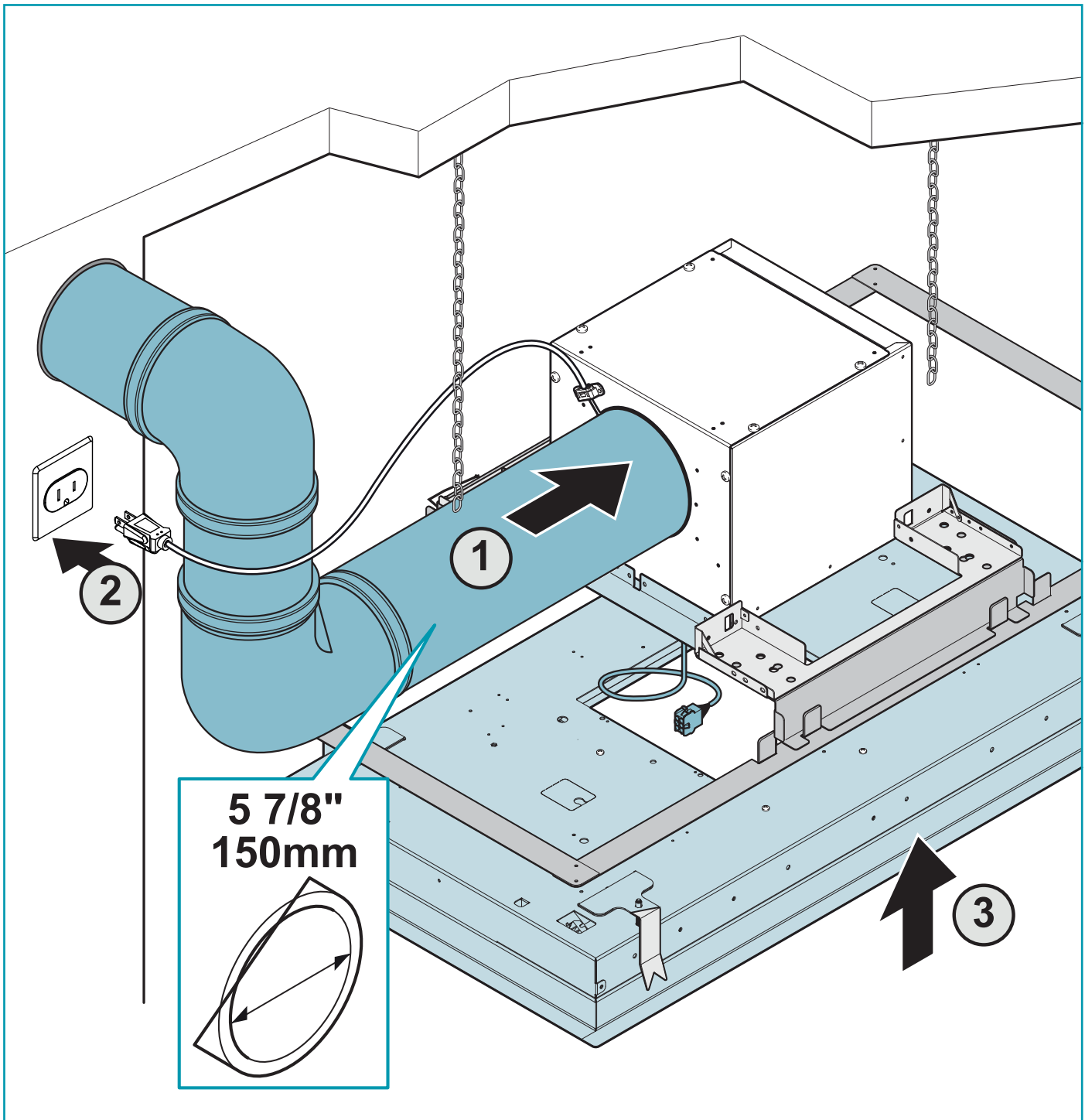
Fitting the non-return valve



Fitting the non-return valve

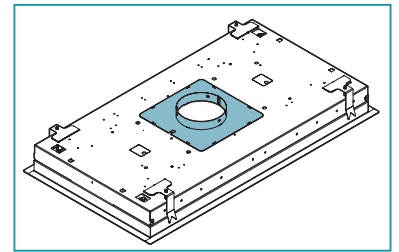
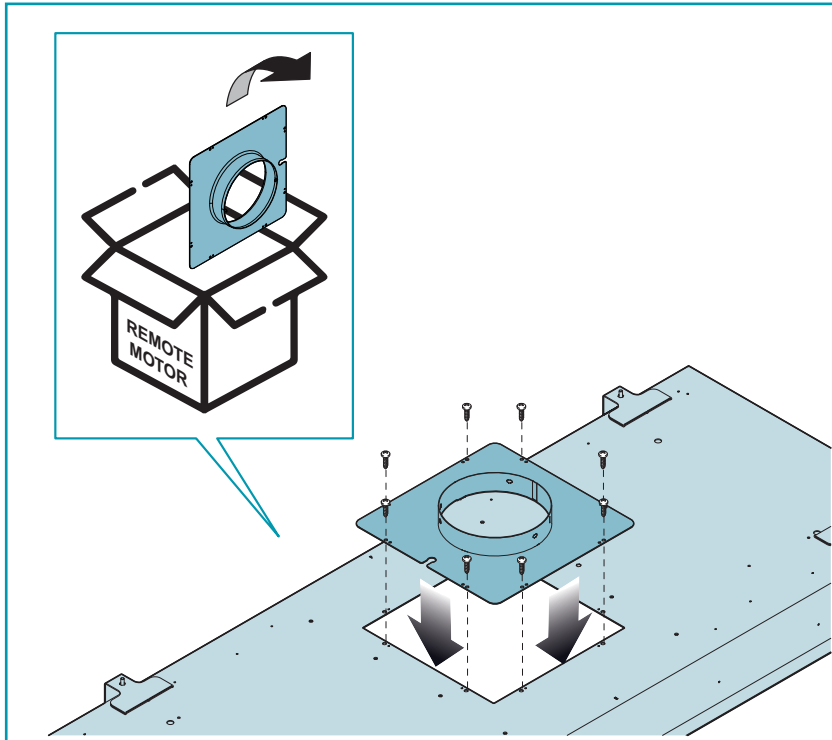


Fitting the non-return valve

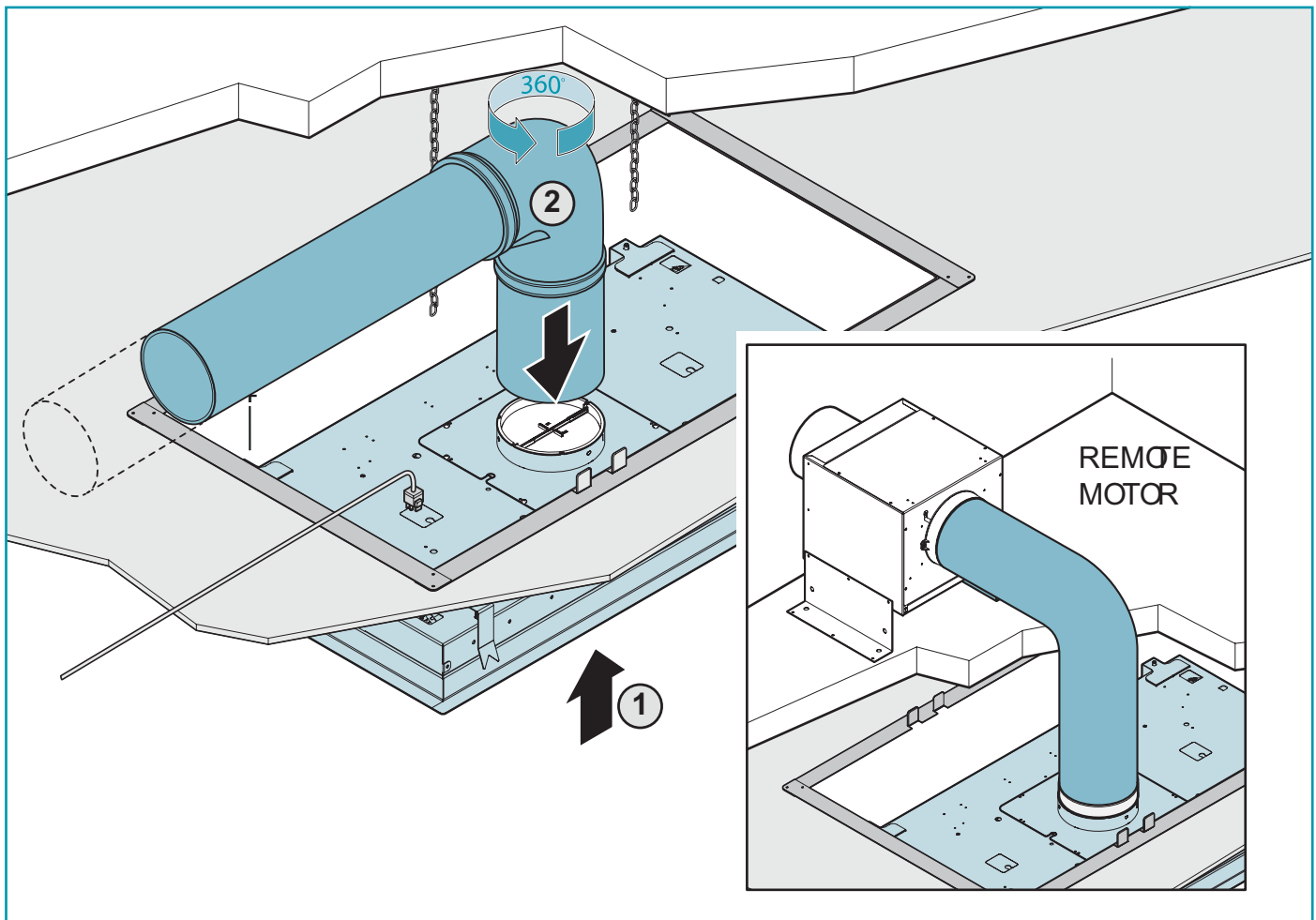


Remote Blower Installation

Fitting the non-return valve

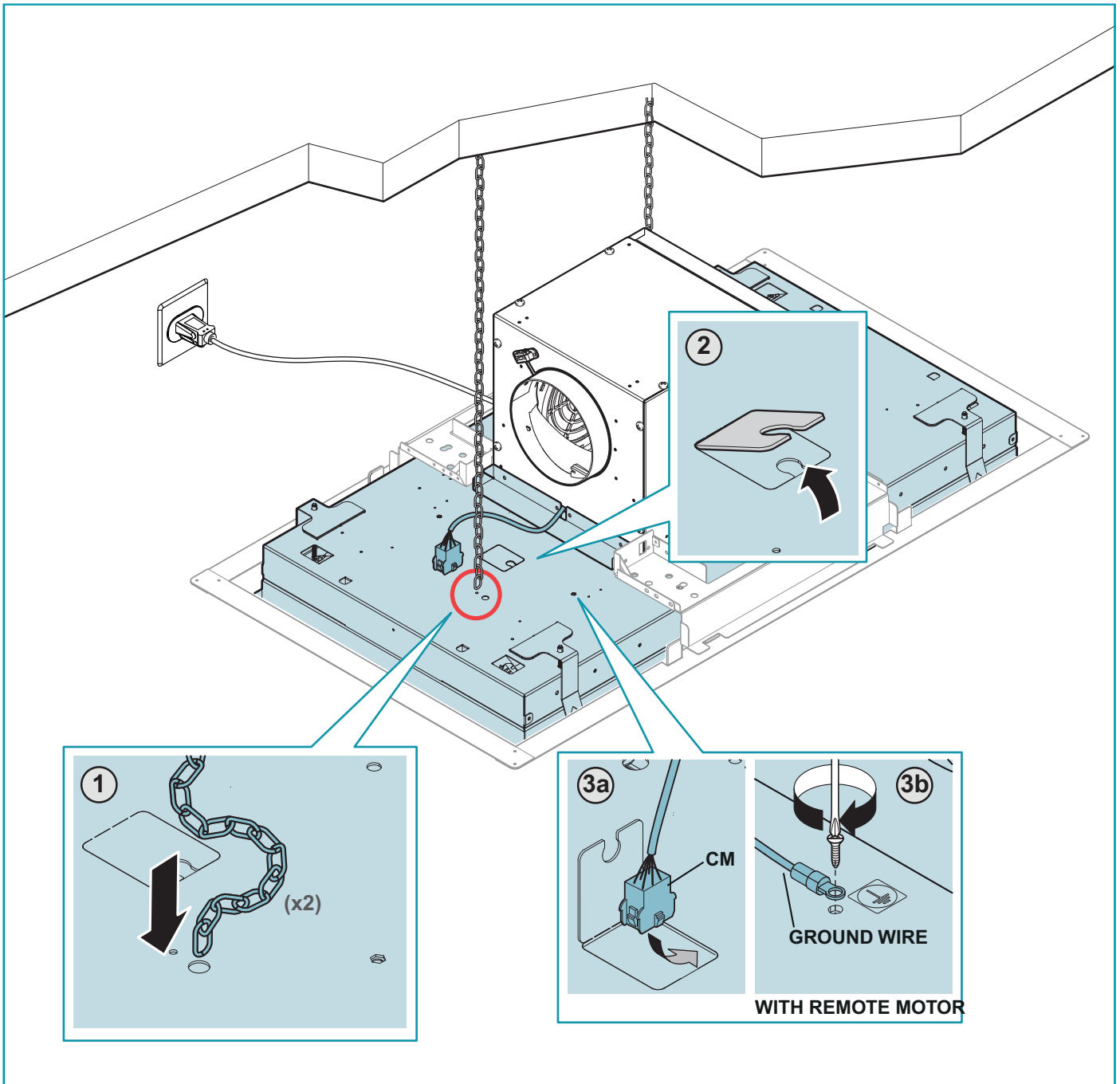


Fixing the suction pipe

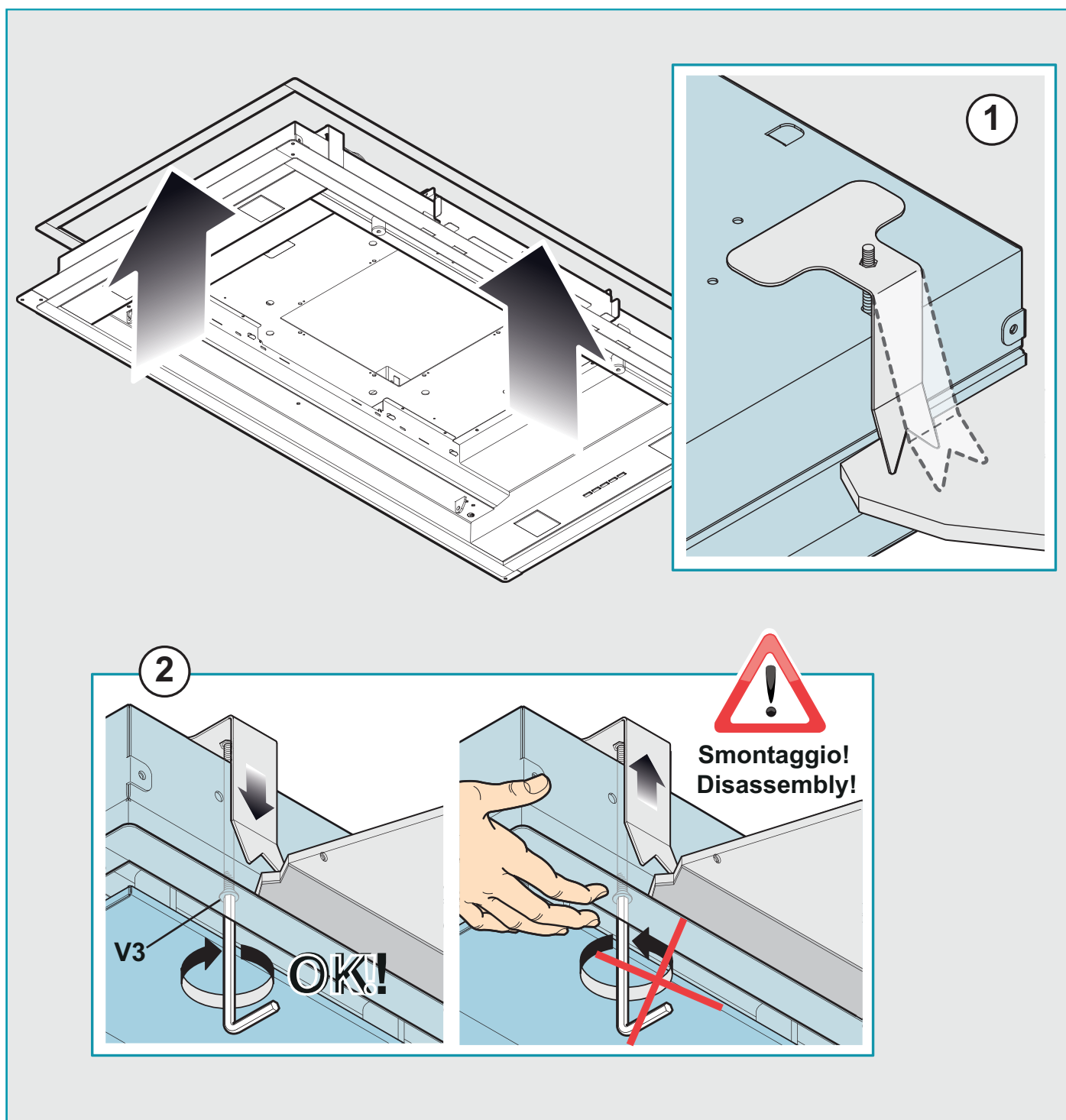


Final operations

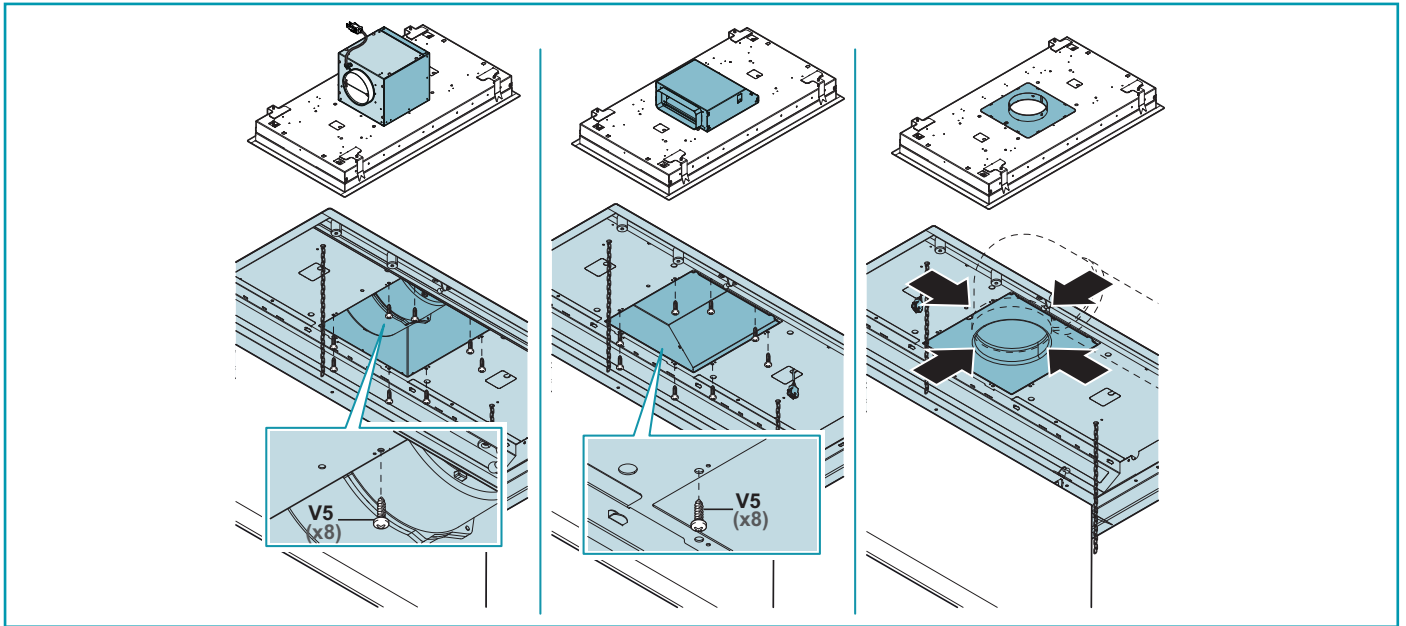
Passing the chains through, passing the control cable through.



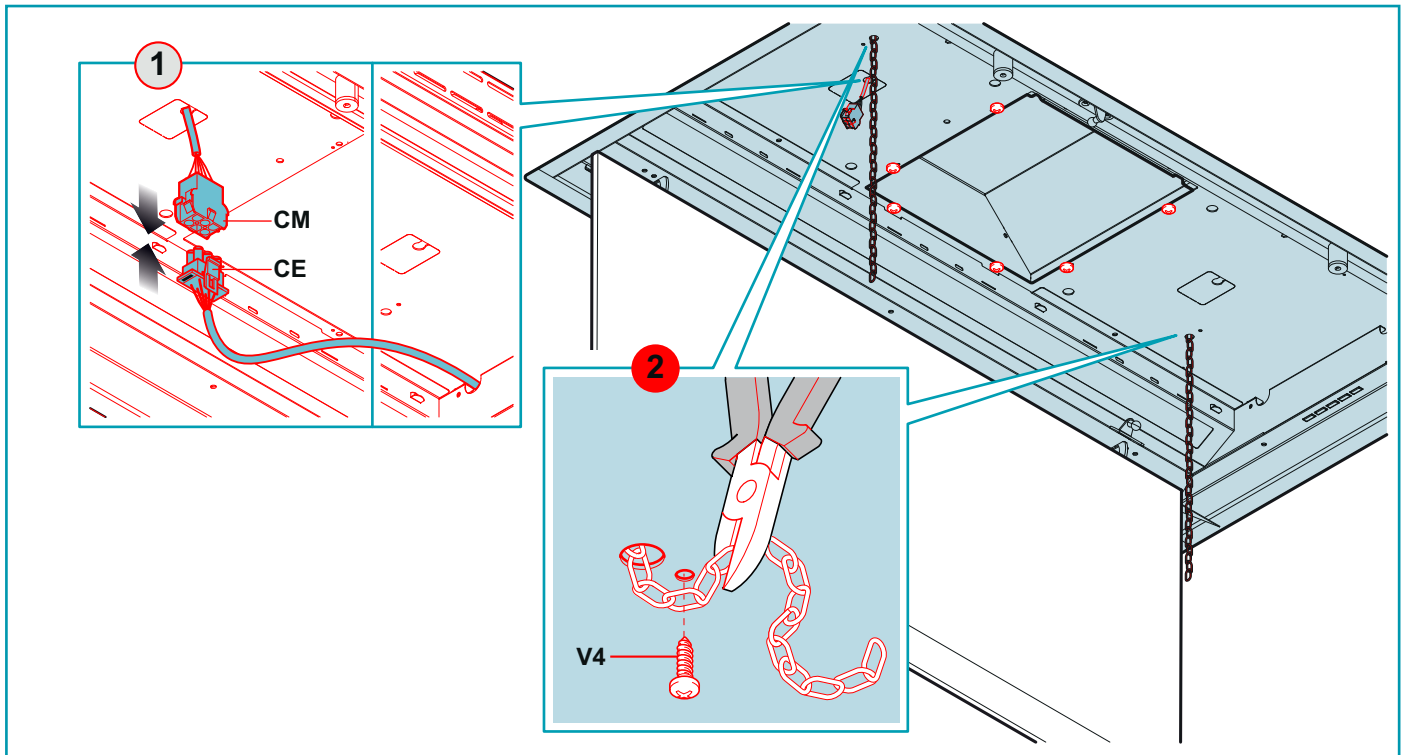
Closing the holding brackets



Fixing the motor (or rectangular connection)



Electrical connection and tensioning the safety chains



Repositioning filters and closing the hood.

