

# Futuro Futuro

## RANGE HOOD

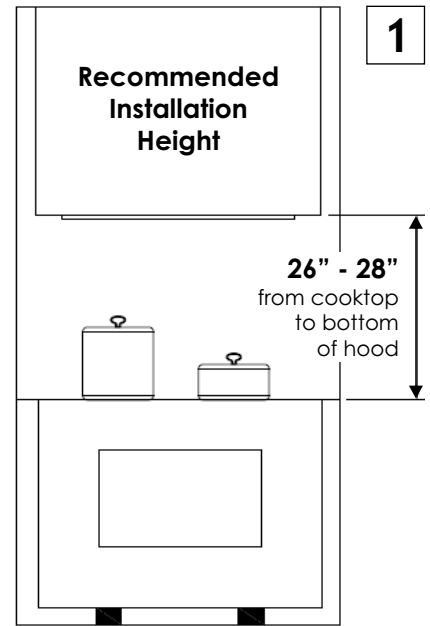
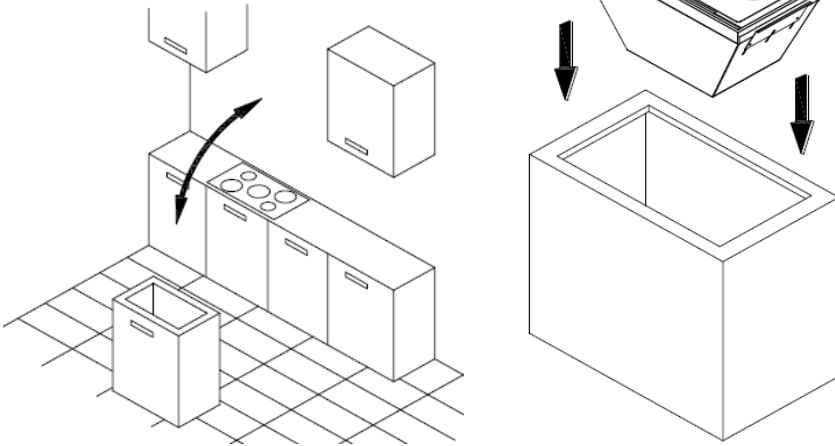
### INSTALLATION MANUAL

#### MODEL: RACCOLTA INSERT

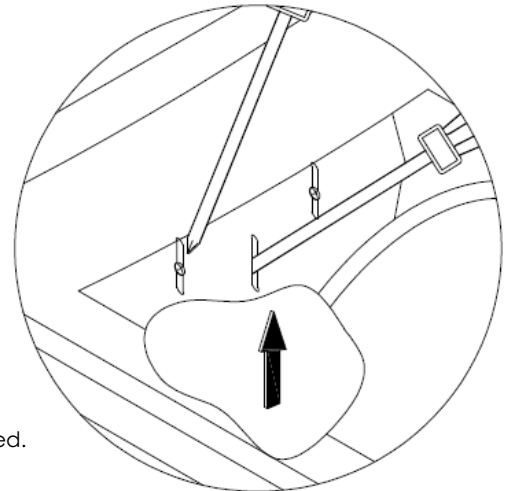
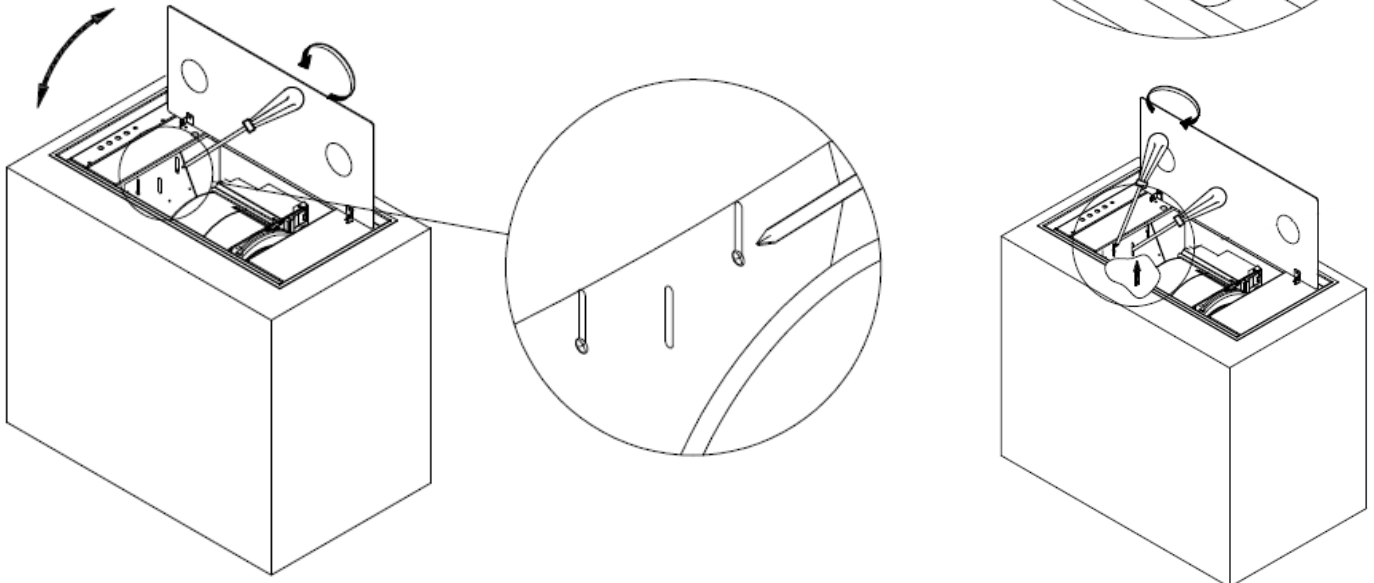
**NOTE: PRIOR TO INSTALLATION**

Please inspect range hood visually, as well as connect it to power supply and test its operation.

- 2** For easier installation, remove the cabinet and install the range hood in cabinet, then install the hood+cabinet assembly.



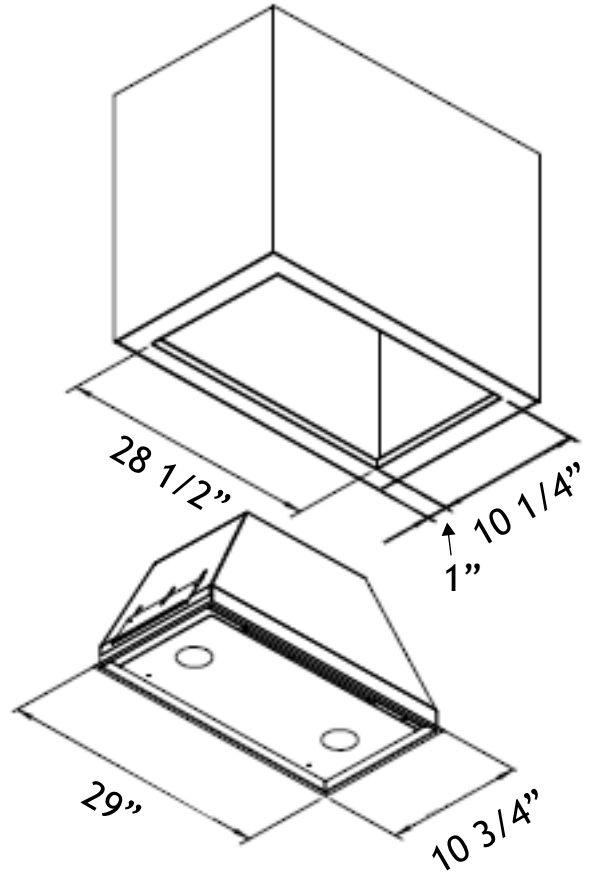
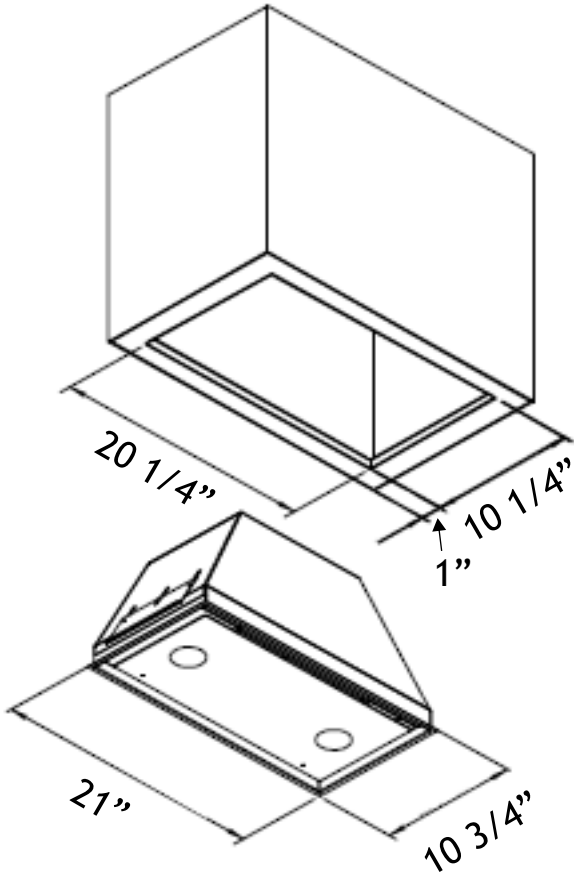
- 3** Insert hood into cabinet, and secure with screws. Adjust & level as necessary. Note: you may also use filler panels / transoms, as needed.



RACCOLTA  
**24" VERSION**  
 DIMENSIONS

RACCOLTA  
**36" VERSION**  
 DIMENSIONS

**NOTE:** Dimensions are provided as a general reference. The manufacturer strongly recommends measuring the actual range hood unit on-site, and to avoid making any commitments to cutting or customizing cabinetry until these measurements are made.



**FEATURE: REAR EXHAUST (THROUGH-WALL VENTING)**

THIS MODEL CAN EXHAUST THROUGH THE TOP, OR THE REAR. TO EXHAUST THROUGH THE REAR (THROUGH WALL):  
 1.) REMOVE 8 SCREWS & LIFT OUT BLOWER MODULE (AS SHOWN); 2.) DISCONNECT THE POWER PLUG (NOT PICTURED).  
 3.) TURN THE BLOWER MODULE & RE-INSERT INTO HOOD; 4.) RECONNECT THE POWER PLUG & REPLACE 8 SCREWS.

