

Futuro Futuro

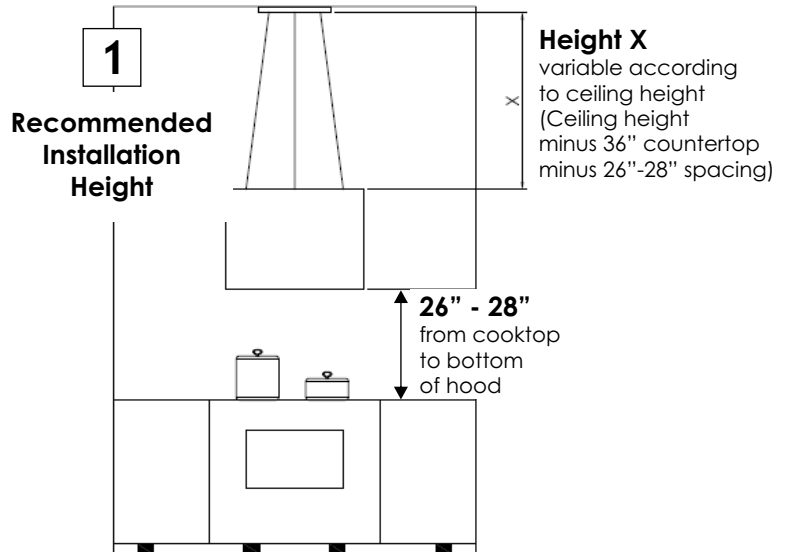
RANGE HOOD

INSTALLATION MANUAL

MODEL: NATALIE ISLAND

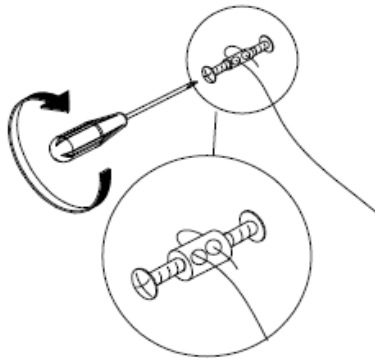
NOTE: PRIOR TO INSTALLATION

Please inspect range hood visually, as well as connect it to power supply and test its operation.



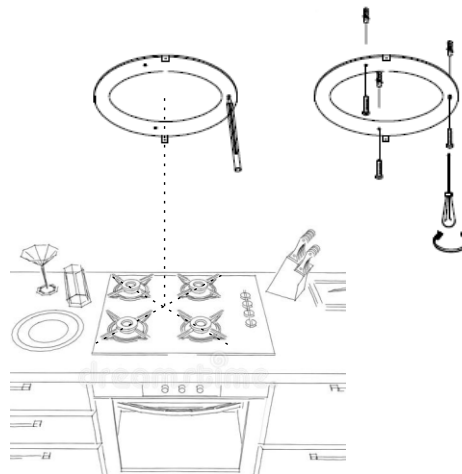
2

- 1.) Loop supporting wire through lock-nut.
- 2.) Tighten the screw so the wire is secure.



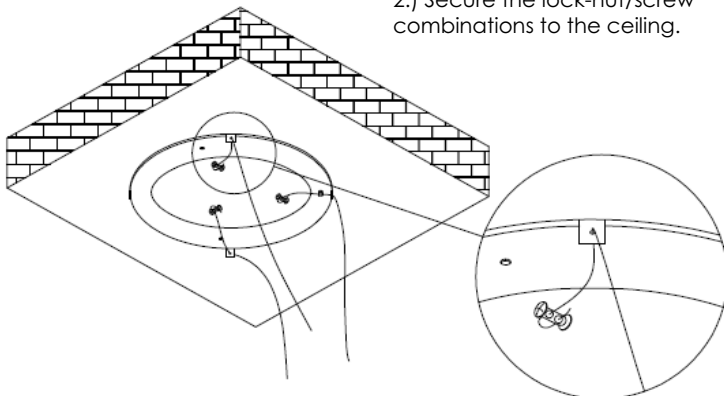
3

- 1.) Positioning: range hood should be centered over the cooking area.
- 2.) Place mounting ring on ceiling & mark location of holes with marker/awl.
- 3.) Remove mounting ring & drill holes according to markings.
- 4.) Secure mounting ring to ceiling with screws (and if needed, anchors).



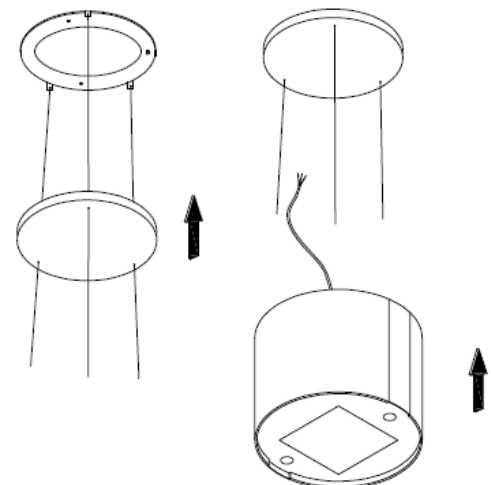
4

- 1.) Thread the supporting wire through tabs of mounting ring, with lock-nut/screw combination INSIDE the ring, as shown.
- 2.) Secure the lock-nut/screw combinations to the ceiling.



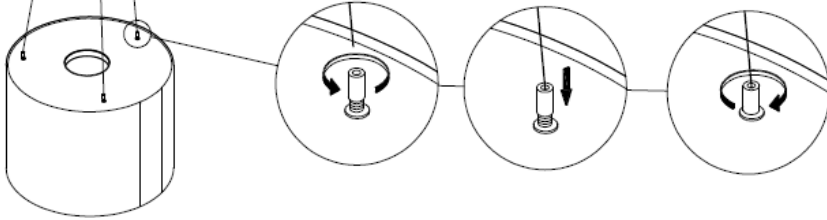
5

- 1.) Thread supporting wires through trim plate.
- 2.) Raise trim plate to ceiling & secure with screws.
- 3.) Bring range hood body to supporting wires.



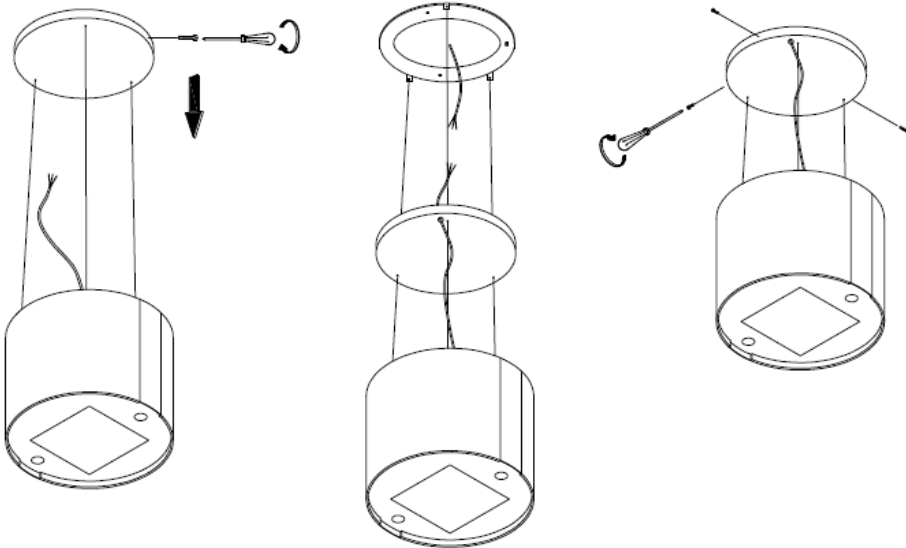
6

- 1.) Loosen lock nuts on top of hood body.
- 2.) Thread supporting wire into lock nut.
- 3.) Level & adjust the hood body.
(Excess wire can be left hanging inside hood body).
- 4.) Tighten the lock nuts.



7

- 1.) Unscrew trim plate from mounting ring.
- 2.) Lower trim plate.
- 3.) Connect power cord to power line.
- 4.) Replace trim plate & secure screws.



8

- Attach body panels (8 screws total).
Make sure to use the supplied nuts/washers,
to avoid possibility of damaging the surface.

