

# Futuro Futuro

## RANGE HOOD ACCESSORY INSTALLATION MANUAL MODEL: CARBON FILTER MCIF-DISC & MCIF-CUBE

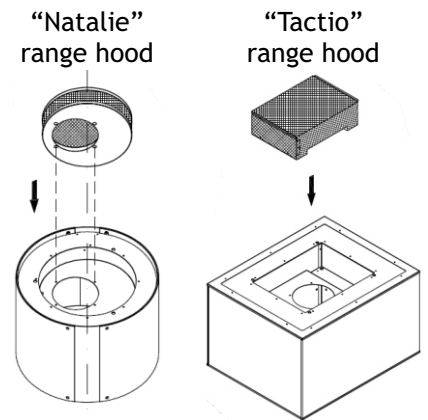


The MCIF filter is a long-life, rechargeable, high-performance recirculation cartridge. It's filled with several pounds of activated charcoal granules, which capture airborne odors for up to 5 years. When the charcoal granules are completely saturated, and do not capture odors any longer, they can be replaced with fresh ones.

### FILTER INSTALLATION

The MCIF filter is placed into the opening on top of the range hood body. There are no tools or materials necessary for its installation or removal.

- 1.) Check that the cut-out on the bottom of the filter is aligned with the blower collar.
- 2.) Check that the filter package is properly seated in the range hood (it should be almost even with the top of the hood body).
- 3.) Ensure adequate clearance above the filter (6" vertical space minimum).



### FILTER RECHARGE (CARBON GRANULE REPLACEMENT)

To recharge either type of filter (MCIF-CUBE or MCIF-DISC), simply remove the filter package from the range hood, remove screws as shown, pour out the old carbon granules, and replace them with the same quantity of fresh granules. Replacement granules can be ordered from Futuro Futuro.

