

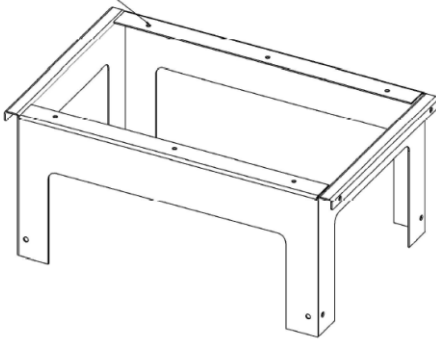
MODEL: KNOX ISLAND RANGE HOOD

his type of cooker hood must be fixed to the ceiling. Very heavy product, hood handling and installation must be carried out by at least two persons. Before beginning installation: Expansion wall plug (metal dowel ) are provided to secure the hood to most types of walls/ceilings. However a qualified technicians must verify suitability of the materials in accordance with the type of the ceiling. The ceiling/wall must be strong enough to take the weight of the hood.

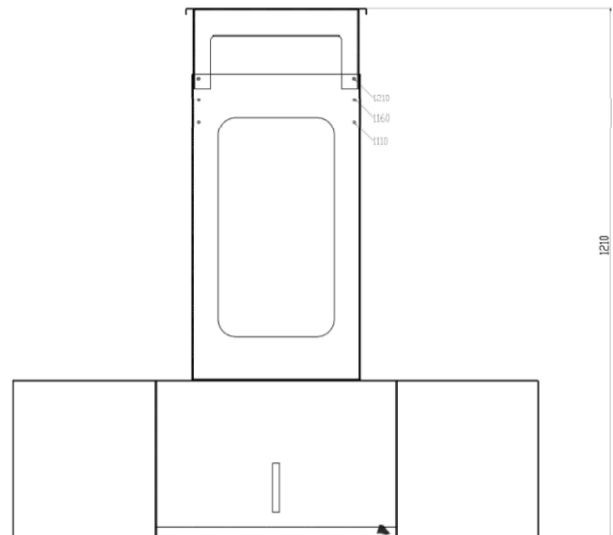
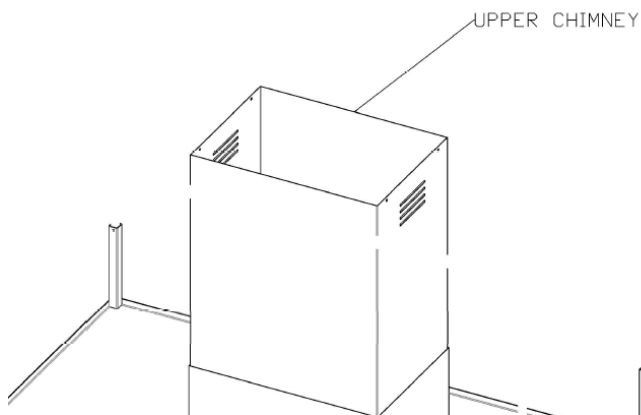
1. Fix upper trellis by nr 6 metal dowels S6 model

### UPPER TRELLIS

FIX THE UPPER TRELLIS ON THE CEILING  
BY 6 METAL DOWELS



2. Leaving the upper chimney on the hood (a), (b) fix the lower trellis already mounted on the hood to the trellis previously mounted on the ceiling by fastening it to the hooking holes shown in the images.



3. At the end it' possible to fasten the upper chimney as shown in the picture

