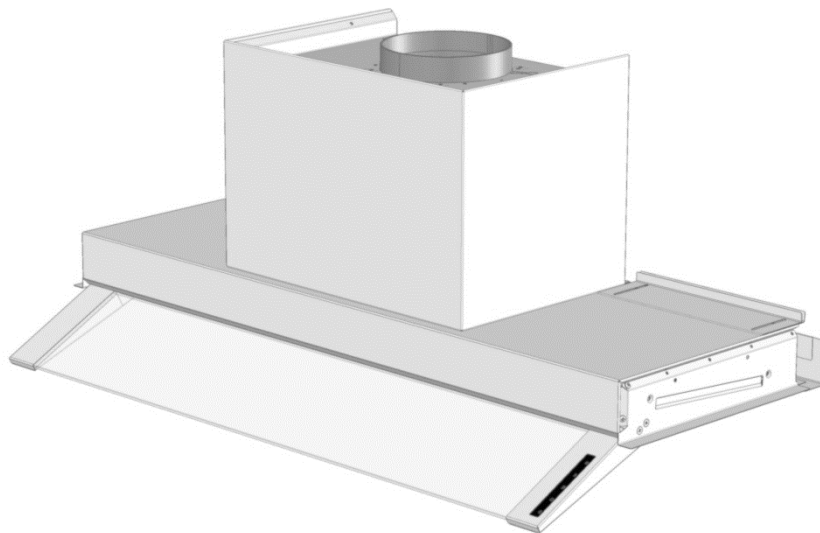


# Futuro Futuro

## FLIPPER



INSTALLATION, OPERATING AND MAINTENANCE GUIDE

I GENERAL .....	3
II WARNINGS .....	3
III INSTALLATION .....	4
III.1 Preliminary Indications .....	4
III.2 Fixing the hood to the cabinet.....	5
III.3 Electrical Connection.....	5
IV USE.....	5
V OPERATION .....	6
V.1 Adjustable and delayed self -switching off .....	6
V.2 Maintenance reminder .....	6
VI MAINTENANCE AND CLEANING .....	7
VI.1 Metal grease filter .....	7
VI.2 Long-Life anti-odor filter (for filtering hoods) .....	7
VI.3 Hood Cleaning .....	7
VI.4 Lighting.....	7
VII DISCONTINUATION .....	7

## I GENERAL

Installation, operating and maintenance instructions for cooker hood model SILENZIO.

**120V - 60HZ**

**READ AND SAVE THESE INSTRUCTIONS**

## II WARNINGS

**CAUTION: Automatically Operated Device To Reduce The Risk Of Injury Disconnect From Power Supply Before Servicing.**

**WARNING: To Reduce The Risk Of Fire Or Electric Shock, Do Not Use This Fan With Any Solid-State Speed Control Device.**

**PAY ATTENTION TO:**

- A) THE NEED FOR FREQUENT CLEANING OF ALL GREASE FROM THE FAN AND FROM ALL OTHER GREASE-LADEN SURFACES;**
- B) THE NEED FOR FREQUENT REMOVAL AND CLEANING OF ANY FILTER UNIT PROVIDED.**

**WARNING: To provide protection against electric shock, connect to properly grounded outlets only.**

**For Residential Use Only**

**WARNING: GROUNDING INSTRUCTIONS**

This appliance must be grounded. In the event of an electrical short circuit, grounding reduces the risk of electric shock by providing an escape wire for the electric current. This appliance is equipped with a cord having a grounding wire with a grounding plug. The plug must be plugged into an outlet that is properly installed and grounded.

**WARNING - Improper grounding can result in a risk of electric shock.**

Consult a qualified electrician if the grounding instructions are not completely understood, or if doubt exists as to whether the appliance is properly grounded. Do not use an extension cord. If the power supply cord is too short, have a qualified electrician install an outlet near the appliance.

**WARNING - TO REDUCE THE RISK OF FIRE, USE ONLY METAL DUCTWORK.**

**WARNING - TO REDUCE THE RISK OF A RANGE TOP GREASE FIRE:**

- a) Never leave surface units unattended at high settings. Boilovers cause smoking and greasy spillovers that may ignite. Heat oils slowly on low or medium settings.**
- b) Always turn hood ON when cooking at high heat or when flambeing food (i.e. Crepes Suzette, Cherries Jubilee, Peppercorn Beef Flambe’).**
- c) Clean ventilating fans frequently. Grease should not be allowed to accumulate on fan or filter.**
- d) Use proper pan size. Always use cookware appropriate for the size of the surface element.**

**WARNING - TO REDUCE THE RISK OF INJURY TO PERSONS IN THE EVENT OF A RANGE TOP GREASE FIRE, OBSERVE THE FOLLOWING:**

- a) SMOTHER FLAMES** with a close-fitting lid, cookie sheet, or metal tray, then turn off the burner. **BE CAREFUL TO PREVENT BURNS.** If the flames do not go out immediately, **EVACUATE AND CALL THE FIRE DEPARTMENT.**
- b) NEVER PICK UP A FLAMING PAN - You may be burned.**
- c) DO NOT USE WATER,** including wet dishcloths or towels - a violent steam explosion will result.
- d) Use an extinguisher ONLY if:**
  - 1) You know you have a Class ABC extinguisher, and you already know how to operate it.**
  - 2) The fire is small and contained in the area where it started.**
  - 3) The fire department is being called.**
  - 4) You can fight the fire with your back to an exit.**

**THE MINIMUM DISTANCE BETWEEN THE SUPPORTING SURFACE OF THE COOKING HOB AND THE LOWEST PART OF THE RANGE HOOD MUST BE NOT LESS THAN 26IN (65 CM) WITH A GAS HOB.**

## READ AND SAVE THESE INSTRUCTIONS

Keep these instructions in a safe place and pass them on to any future user. Read these instructions carefully before installing or using the range hood.

Before connecting the appliance to the power supply make sure that the voltage (V) and frequency (Hz) listed on the data plate correspond with the household electrical supply. This data must correspond to prevent appliance damage.

Installation work and repairs should only be performed by a qualified technician under all applicable codes and standards. Repairs and other work by unqualified persons could be dangerous.

In the event of a fault, please contact the Technical Service authorized to provide genuine parts. When contacting the Technical Service, please quote the model and the serial number of your appliance. These are shown on the data plate. Ensure that power to the appliance is OFF while the appliance is not in use.

During thunderstorms switch-off the main switch of the house electrical system or if the device is equipped with a plug, simply unplug it.

Use this appliance only in the manner intended by the manufacturer and no other than exhausting cooking fumes on domestic kitchens.

The manufacturer does not accept any liability for damages caused by people, animals, or things, by installation and maintenance mistakes, or by any illegitimate use.

Observe the following essential safety instructions during the use of any electrical appliance:

- This appliance is not intended for use by persons (including children) with reduced physical, sensory or mental capabilities, or lack of experience and knowledge unless they have been given supervision or instruction concerning the use of the appliance by a person responsible for their safety. Children should be supervised to ensure that they do not play with the appliance.

- To prevent the risk of fire it is compulsory to disconnect the appliance from the power supply before cleaning or servicing the hood;

- Do not pull, take off, or twist the cable coming out from the appliance, even though this has been disconnected from the main power supply.

- Do not sprinkle or throw any water directly on the appliance.

- Do not stick any sharp tool inside the exhausting holes and into the air outlet.

- Do not take out the filters to reach the internal sides of the appliance in case the main switch of the house electrical system is not off.

- Do not flambé or grill with an open flame beneath the hood. Flames could be drawn up into the hood by the suction and the filters may ignite.

- Pay particular attention while frying. Heat oils slowly on low or medium settings.

- CAUTION: Accessible parts may become hot when used with cooking appliances.

- It is forbidden to use the hood as a support surface unless it is expressly indicated.

- Only use the fixing screws supplied with the product for installation.



**CAUTION: Accessible parts may become hot when used with cooking appliances.**

## III INSTALLATION

### III.1 Preliminary Indications

Carefully read the guide before installation and use of the appliances.

The installation requires safety equipment and a range of tools as per Fig. 3.1.1.

With the hood correctly installed, the minimum distance between the supporting surface of the cooking hob and the lowest part of the range hood must be not less than 28in - 30in for both electric and gas cooktops (Fig. 3.1.2).

If the mounting instructions of the gas hob indicate a wider distance, respect it.

It must not be superimposed on stoves with an upper radiating plate.

Respect all the air discharge regulations.

The air must not be discharged in a pipe used to discharge exhaust fumes produced by gas-fed equipment or fuel-fed equipment.

The room must be adequately ventilated when the hood is used together with other gas or fuel types of equipment.

The hood is equipped with all the necessary fastenings for its installation, which are suitable for most surfaces.

Verify that the installation surface is strong.

Installation must be carried out by qualified installers according to present regulations.

## III.2 Fixing the hood to the cabinet

To install the hood (Fig. 3.2.1) in the wall unit, the measurements in Fig. 3.2.2 must be observed.

Follow the steps indicated below:

Remove the metal filters (Fig. 6.2.1) to access the inside of the hood (Fig. 3.2. 3).

Insert the hood in the wall unit, taking care to slot the back panel of the wall unit into the relevant seat (Fig. 3.2. 3-A). Secure the hood to the side of the wall unit with the screws provided, two screws per side, in line with the holes on the sides (Fig. 3.2.3-B).

Two spacers are provided (Fig. 3.2.3-C and Fig. 3.2.3-D) to compensate for the different depths in the wall unit as indicated by the positions in the drawing (Fig. 3.2.3).



## III.3 Electrical Connection

The electrical connection must be carried out **ONLY** by qualified technicians.

The electrical protection of the electrical connection upstream of the equipment must comply with the regulations in force.

Any change to the electrical installation necessary to install the hood should only be undertaken by qualified staff.

After installation, insulated parts and those carrying electricity must be protected from any possible contact.

	<b>Caution!</b> If the electrical connection is carried out incorrectly or not meeting the regulations, it may damage part of the appliance and the warranty will not be valid.
	<b>Warning!</b> Before making the electrical connection, turn the main switch of the domestic system to "off".

**These appliances must be earthed.**

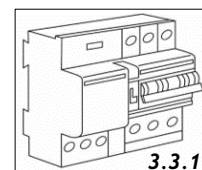
The appliance is supplied without plug and must be connected to the electrical system with a voltage of 120V and a frequency of 60Hz.

One type of connection to the electrical network is possible:

Stable connection to the network by interposing a bipolar switch to ensure disconnection from the network, with a contact opening distance allowing complete disconnection under the conditions of the overvoltage category III, by the installation rules (Fig. 3.3.1.).

**Earth connection (yellow-green wire) should not be interrupted.**

If the power cord is damaged, it must be replaced by the manufacturer or its authorized service center or by a qualified technician, to prevent any risk.



## IV USE

This cooker hood can be installed in ducted or filtering mode.

**Ducted** (external evacuation, Fig. 4.1). Remove any anti-odor filters if present. Kitchen smokes are vented outside through a flue (not provided with the hood) joined to the exhaust pipe flue connector.

This pipe must not under any circumstances be connected to cooker, boiler or burner exhaust pipes, etc.

Install this flue after completing what is described in the **INSTALLATION**.

The use of pipes and holes on the wall with a smaller diameter than the motor output will cause a decrease in suction performance and an increase in the noise level.

Use as short as possible tubes and with few curves.

Use pipes with smooth internal surfaces.

**Filtering mode** (ductless, Fig. 4.2). The cooking fumes pass through the LongLife anti-odor filter (not supplied with the hood, Fig. 6.2.1) to be purified and recycled into the kitchen. The use of anti-odor filters reduces the performance of the hood.

## V OPERATION

The hood is supplied with a multispeed blower.

The hood should be run at low speed under normal conditions and at higher speeds only when there is a heavy build-up of fumes or odors.

Ideally, the hood should be switched on as soon as cooking is started and then kept on until all odors have been eliminated.

### Control operation (Fig. 5.1):

T1: switch-on at first speed and extractor off.

T2-T3: operation at 2nd and 3rd speed respectively.

T4: intensive speed setting (maximum extraction), the extractor operates at this speed for 5 minutes (with button flashing) and then, it will automatically switch to 3rd speed.

TL: light on/off and light temperature adjustment.

### Light adjustment:

TL single click: on/off at the stored brightness and temperature.

TL double click when off: minimum brightness (10% brightness, ambient light).

TL long press (for more than 1 second) when on: brightness adjustment:

- Start from stored setting, DOWN ---> UP adjustment, if not released, the maximum brightness is set
- With another long press, the UP ---> DOWN adjustment goes to minimum brightness
- When the button is released, both at maximum/minimum and during adjustment, the desired intensity is stored for the next switch-on

TL+T4 when on: colour temperature adjustment (same steps as brightness adjustment)

## V.1 Adjustable and delayed self-switching off

With the hood operating, choose the desired speed, then press and hold the T2+T3 button for a few seconds until all the LEDs start to flash (T1, T2, T3, T4). By pressing one of the buttons (T1, T2, T3, T4), you can program the self-switch-off time, as follows: T1 for 5 minutes; T2 for 10 minutes; T3 for 15 minutes; T4 for 20 minutes.

It is possible to change the set speed, including the intensive speed, during operation with self-switch-off. If the switch-off time chosen is the same as the set speed, the speed LED flashes; if a different time is chosen, the speed LED remains fixed. The hood must be switched off to disable the self-switch-off.

## V.2 Maintenance reminder

### Metal anti-grease filters

Once the hood is switched off, after 30-hour functioning, all the LEDs of the speed buttons switch on with a fixed light for 30 seconds to remind that the anti-grease metal filter needs cleaning. To set the timer to zero keep the button T4 (Fig. 5.1) pressed with the aspirator switched off, otherwise the timer will remain set on 30-hour functioning and the reminder will appear when the hood is switched off again.

### Long-Life anti-odor filter (for ductless hoods)

Every 120 hours of hood operation, when the hood is switched off, all the LEDs of the speed buttons turn on with a flashing light for 30 sec. as a reminder of the regeneration of the Long-Life filter and the cleaning of the metal anti-grease filters. To reset the timer, simply hold down the T4 key (Fig. 5.1) with the blower off, otherwise the device will give the alarm again the next time the hood is switched off.

### 24h Comfort function

This function allows for cleaning the air in your kitchen when the hob and cooker hood are not being used. Air extraction cycles are activated at programmed time intervals: 5 min ON - 25 min OFF. These timed cycles clean the air of any lingering odours as cigarette smoke, detergents and stagnant and stuffy smells. This function is easy to activate and deactivate when required or can be left on for a full 24 hour cycle after which it is automatically turned off.

Press and hold the T1 button for at least 3 sec. The extractor will start operating for 5 minutes every 25 minutes, at the first speed, for a maximum of 24h. During extraction, the button flashes every 1 sec.; it will flash every 5 sec. the interval (25 min.). The function can be disabled at any time by pressing the T1 button.

## VI MAINTENANCE AND CLEANING



**Warning!** Before any maintenance or cleaning operation, disconnect the hood from the power supply by setting the main switch of the domestic system to "off".

### VI.1 Metal grease filter

Particular attention should be paid to the metal grease filter, which has the function of retaining the fat particles contained in the vapors. The grease filter must be washed when the warning appears or at least once a month, use hot water and detergent (or put it in the dishwasher). The filter may become discolored after a few washes. This is normal and does not mean that it needs to be replaced.

To carry out maintenance on the grease filter, it is essential to remove it from the hood. With the hood turned off, the condensation collection tray must be opened and the filter removed by its handle (Fig. 6.1.1). At this point, you can proceed with the filter cleaning. It is recommended to reinsert the grease filter only when it is perfectly dry.



**ATTENTION:** the grease collected in the filters can easily catch fire and it is therefore extremely important to clean the metallic filters regularly as per instructions

### VI.2 Long-Life anti-odor filter (for filtering hoods)

The Long-Life anti-odor filter, where present, captures all the odors present in the cooking fumes, guaranteeing pure air in your kitchen. It does not have to be replaced frequently like an ordinary activated charcoal filter, it can be regenerated every 3-4 months, or according to the frequency of use of the hood, by a normal washing cycle in the dishwasher at about 70°C without any type of detergent, followed by drying in the oven for 30 minutes at 70°C. To keep its efficiency high, it is recommended to replace the Long-Life filter after 6/8 regeneration cycles.

To replace the Long-Life anti-odor filter simply remove the metal grease filter (Fig. 6.1.1) and slide the frame enclosing the anti-odor filter towards the rear (Fig. 6.2.1). Take the frame including the Long Life anti-odour filter and regenerate it (Fig. 6.2.1-A). The filter must be requested to the manufacturer. To install a new Long -Life anti-odor filter, remove the metal grease filter (fig. 6.1.1), place the new Long-Life anti-odor filter on top and slide it to hook it to the metal filter. Reinstall the metal grease filter.

### VI.3 Hood Cleaning

The hood must be cleaned immediately after installation and removal of the protective film to eliminate any residual adhesive or other impurities. The hood must be cleaned frequently both internally and externally (at least once a month). Do not allow dirt to accumulate on the surfaces of the hood.

Do not use acid or basic products or abrasive sponges to clean the external parts of the hood. Clean the hood with a sponge moistened with hot water and a small quantity of neutral soap (for example dish soap) to eliminate any grease particles that may have deposited.

Rinse with a damp cloth, carefully remove all the soap, following the direction of the satin finish of the steel surface. Drying is particularly important, especially in areas where the water is very hard and leaves limescale deposits.

### VI.4 Lighting

The hood is equipped with LED lighting which, in addition to offering excellent lighting and limited energy consumption, guarantee a considerable duration over time. Both the brightness and temperature of the hood's LED lighting be adjusted (see the OPERATION section).

## VII DISCONTINUATION

The discontinuation means the definitive shutdown and disassembly of the appliance.

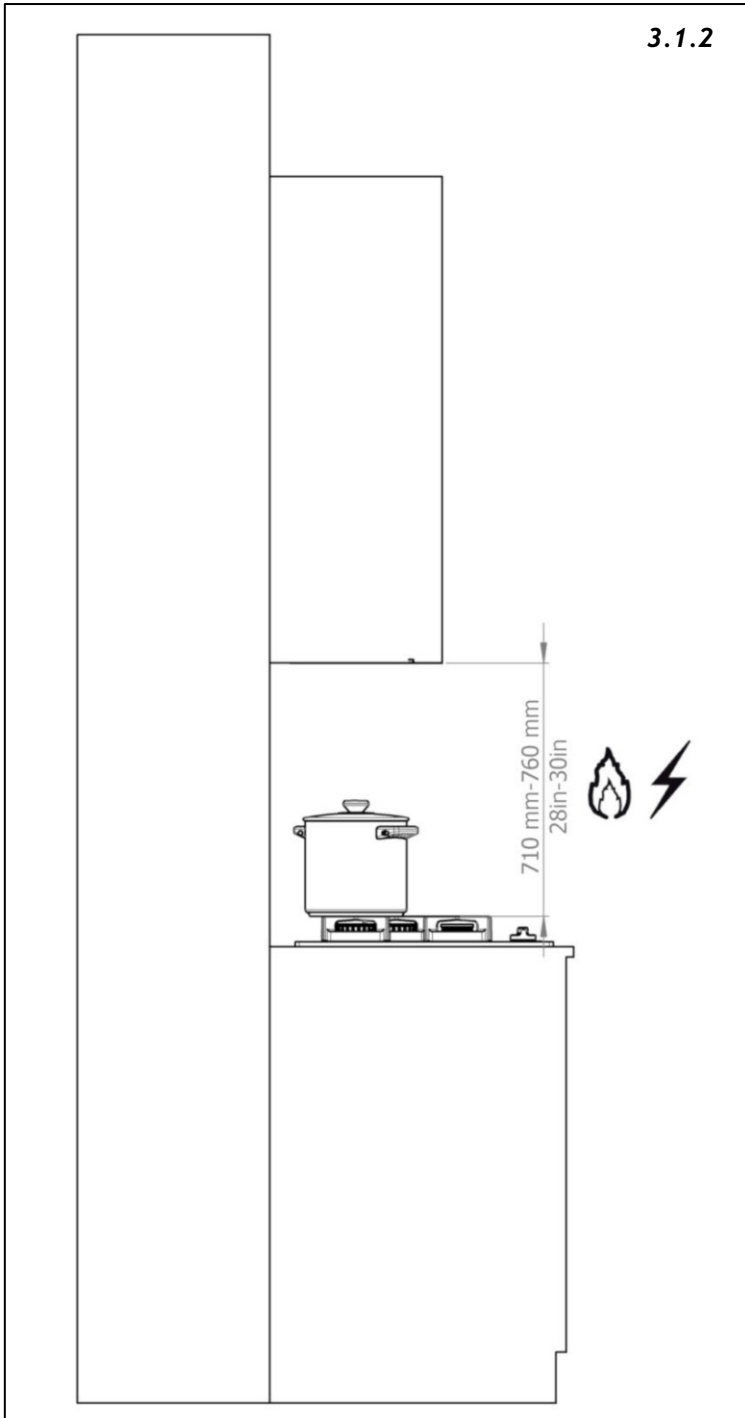
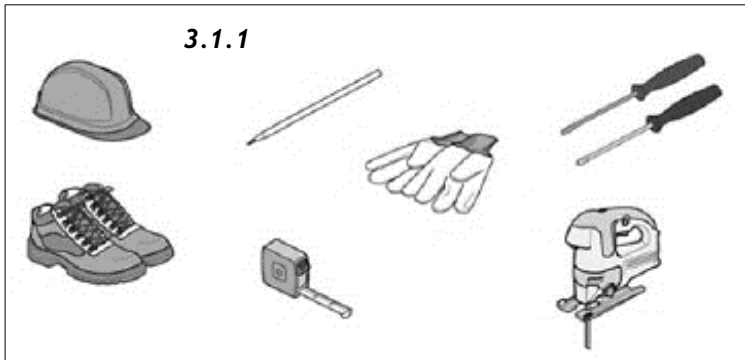
After discontinuation, the appliance can be installed on another piece of furniture, privately resold, or disposed of.



**Caution!** For discontinuation, it is necessary to switch the appliance off and disconnect the power

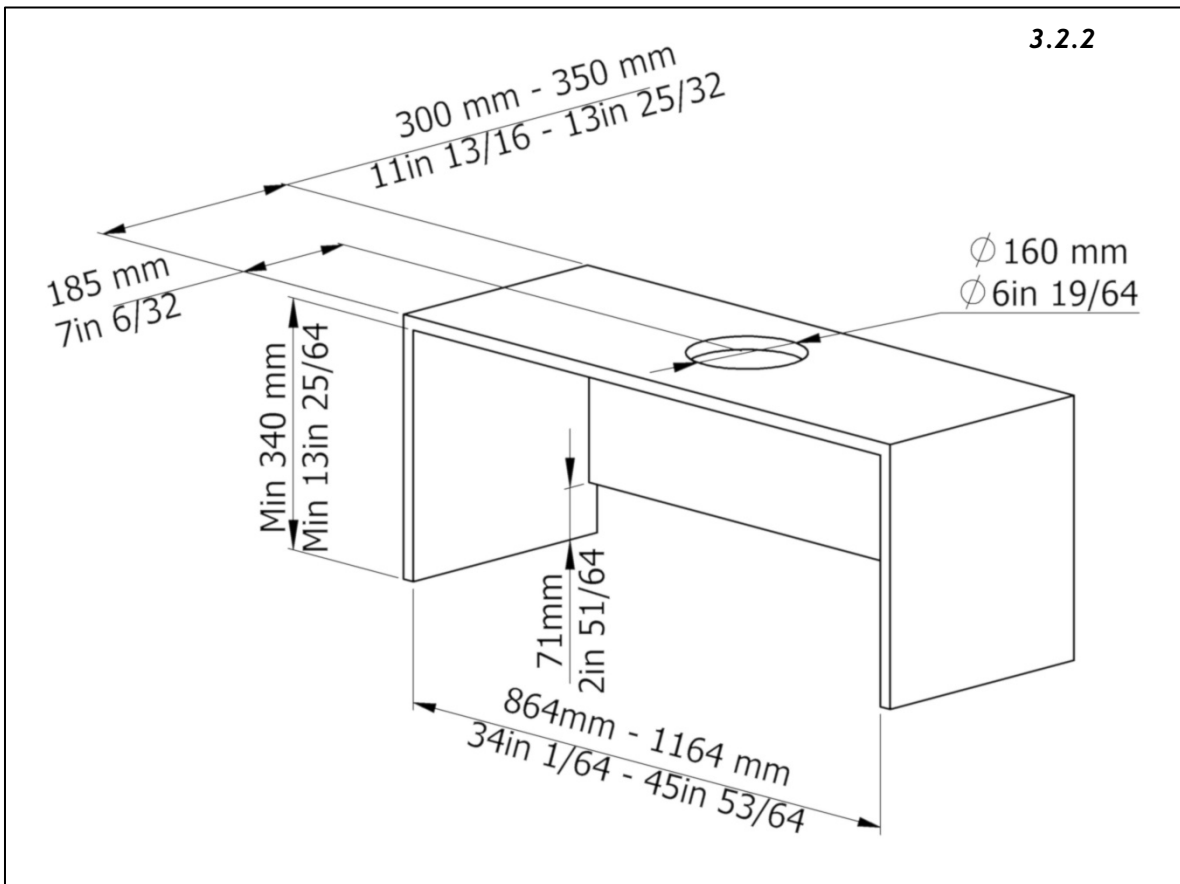
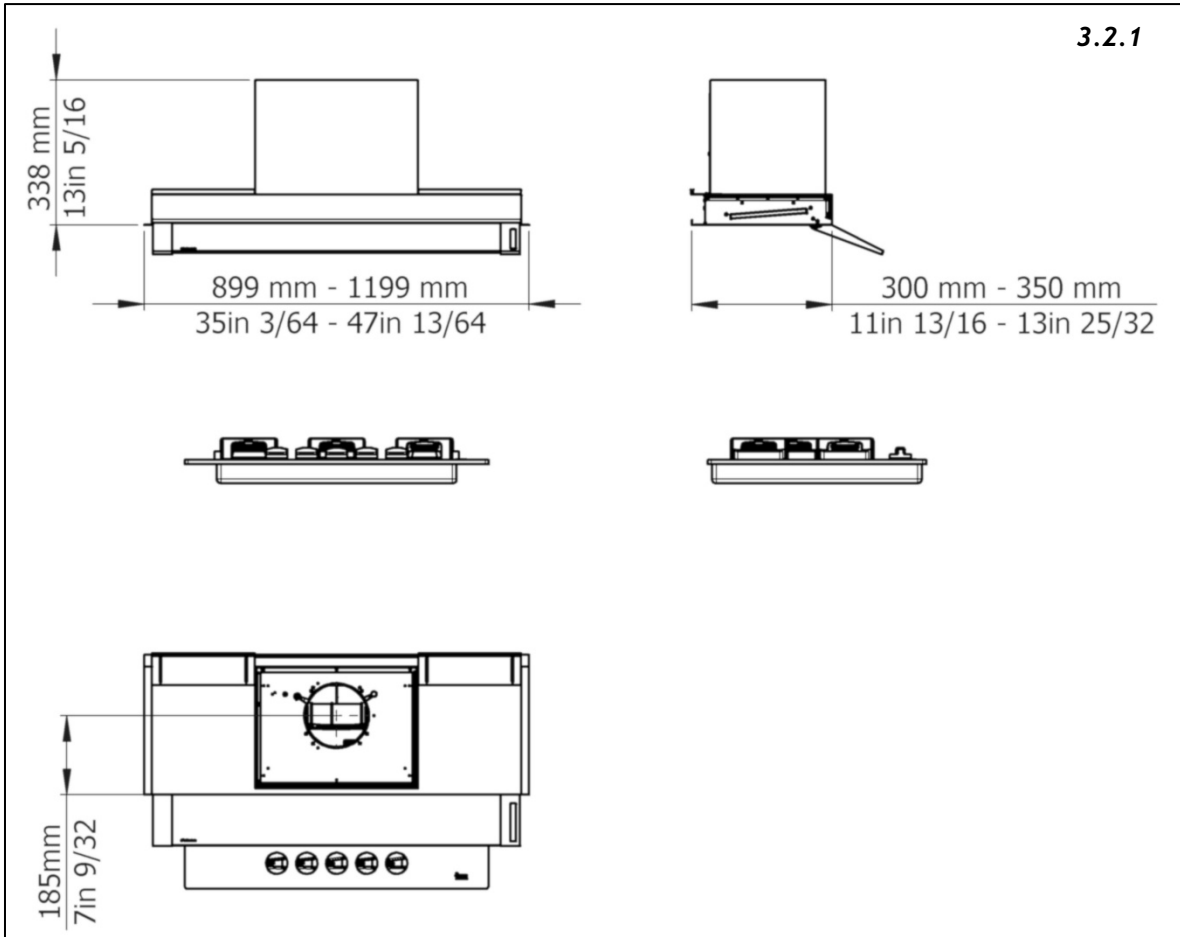
Disassembly requires that the device is accessible and has been disconnected from the power supply.

To do this, follow the installation instructions in reverse order.

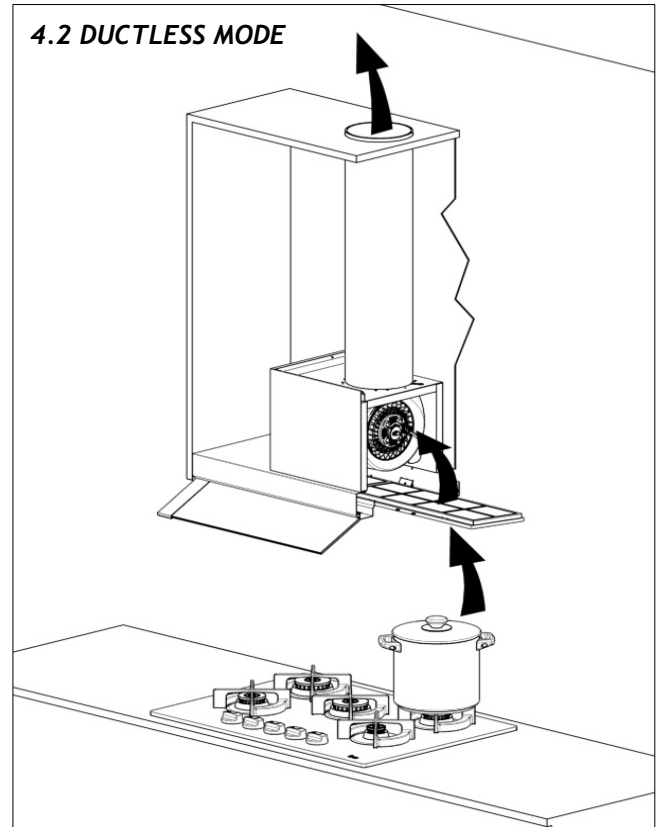
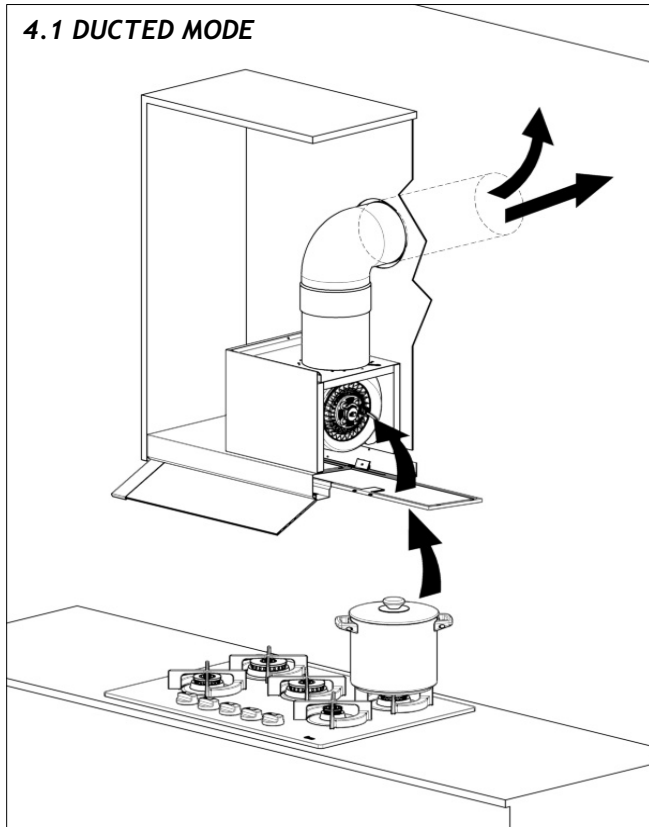
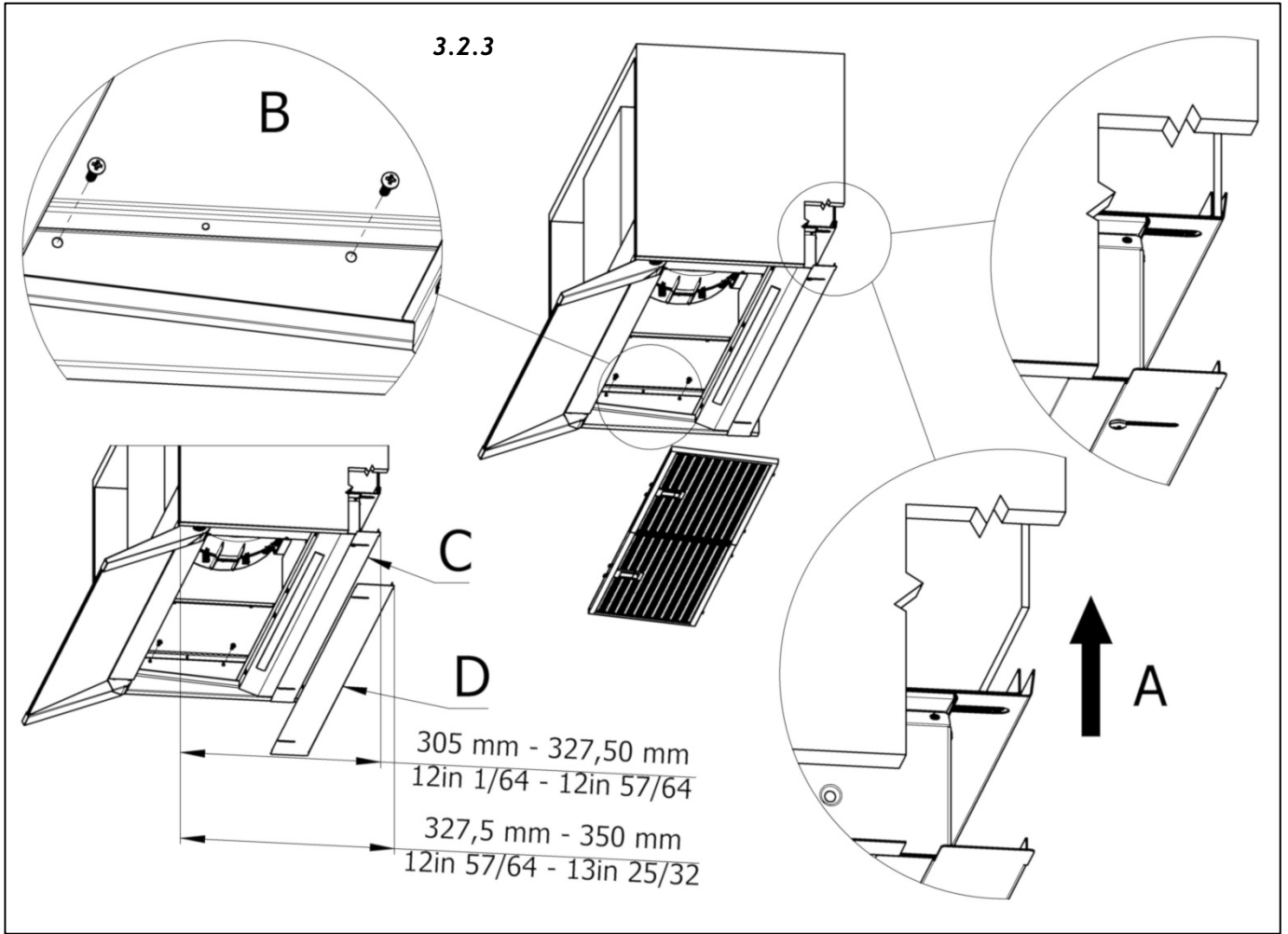




# Futuro Futuro



# Futuro Futuro



# Futuro Futuro

