

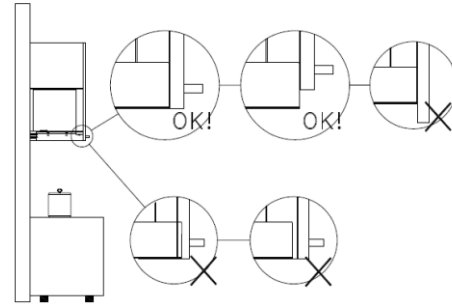
Futuro Futuro

RANGE HOOD

INSTALLATION MANUAL

MODEL: DECORSA INSERT

NOTE: THE BOTTOM OF THE HOOD SHOULD BE EVEN WITH, OR SLIGHTLY BELOW, THE BOTTOM OF THE CABINET - NOT ABOVE IT. FRONT OF HOOD SHOULD LINE UP WITH DOOR.



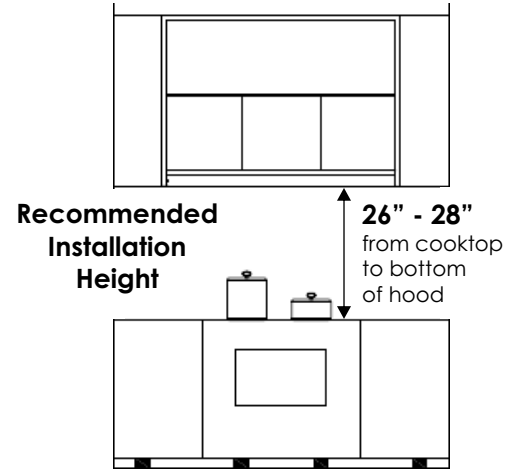
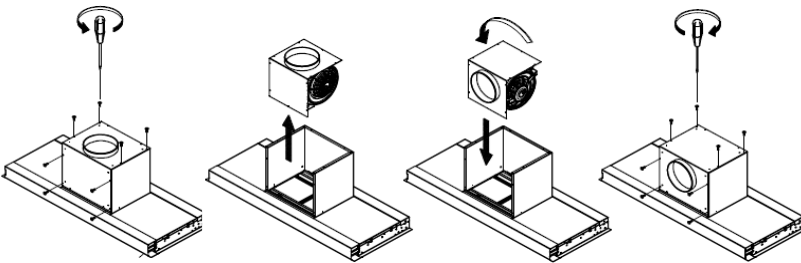
NOTE: PRIOR TO INSTALLATION
Please inspect range hood visually, as well as connect it to power supply and test its operation.

FEATURE: REAR EXHAUST (THROUGH-WALL VENTING)

THIS MODEL CAN EXHAUST THROUGH THE TOP, OR THE REAR.

TO EXHAUST THROUGH THE REAR (THROUGH WALL):

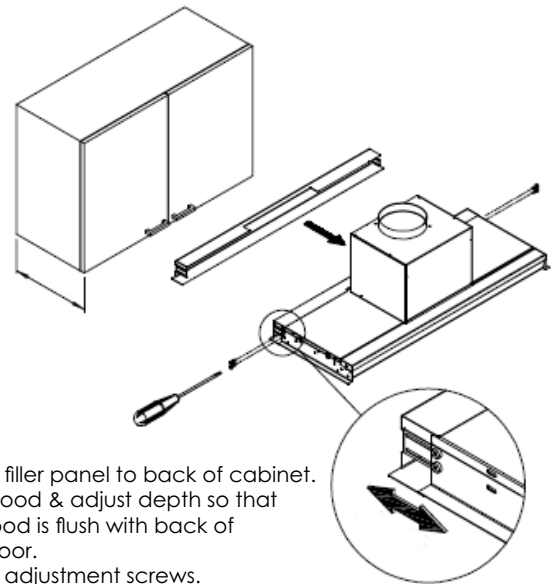
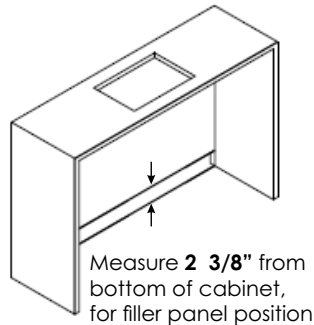
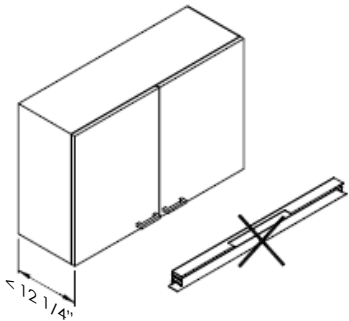
- 1.) REMOVE 8 SCREWS & LIFT OUT BLOWER MODULE (AS SHOWN).
- 2.) DISCONNECT THE POWER PLUG (NOT PICTURED).
- 3.) TURN THE BLOWER MODULE & RE-INSERT INTO HOOD.
- 4.) RECONNECT THE POWER PLUG & REPLACE 8 SCREWS.



Filler Panel (U-Channel)

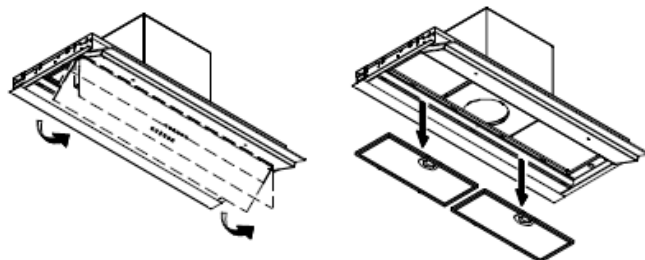
Cabinet depth LESS THAN 12 1/4" = do not need filler panel

Cabinet depth BETWEEN 12 1/4" and 13 3/4" = use filler panel



1

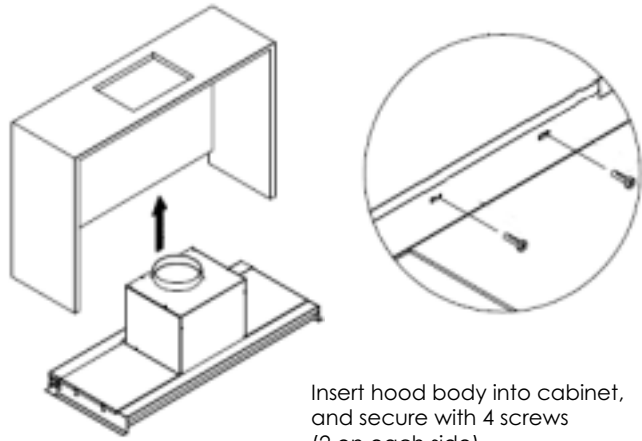
- 1.) Secure filler panel to back of cabinet.
- 2.) Insert hood & adjust depth so that front of hood is flush with back of cabinet door.
- 3.) Secure adjustment screws.



2

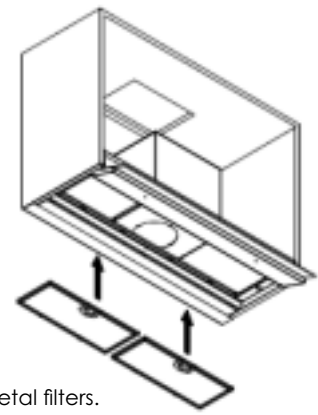
Flip open the capture panel, and remove the metal filters. This provides you with access to side screw holes.

3



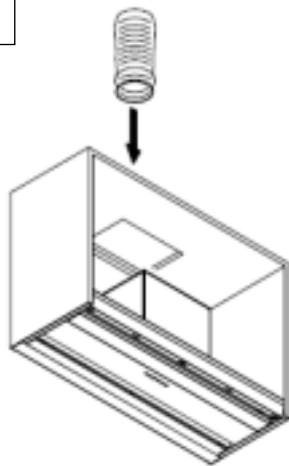
Insert hood body into cabinet, and secure with 4 screws (2 on each side).

4



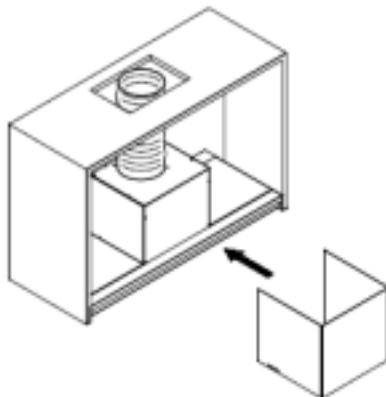
Install the metal filters.

5



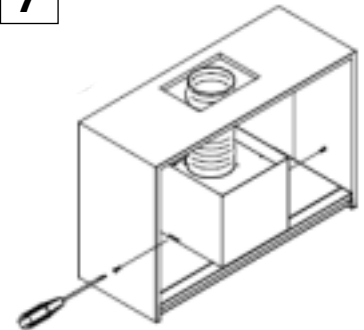
Connect the ductwork.
NOTE: duct should be RIGID type, ("galvanized" or otherwise), NOT flexible type (dryer vent).

6



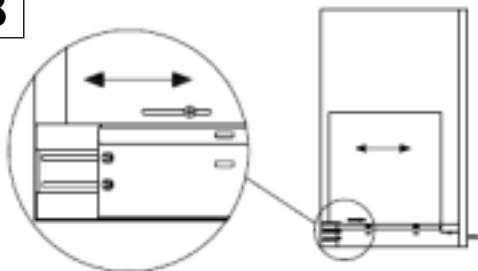
Position the top cover.

7



Insert, but do not tighten completely, 1 screw into each side of the top cover.

8



Adjust position of top cover as needed, using the adjustment screw & slot. Secure the adjustment screw when finished.

