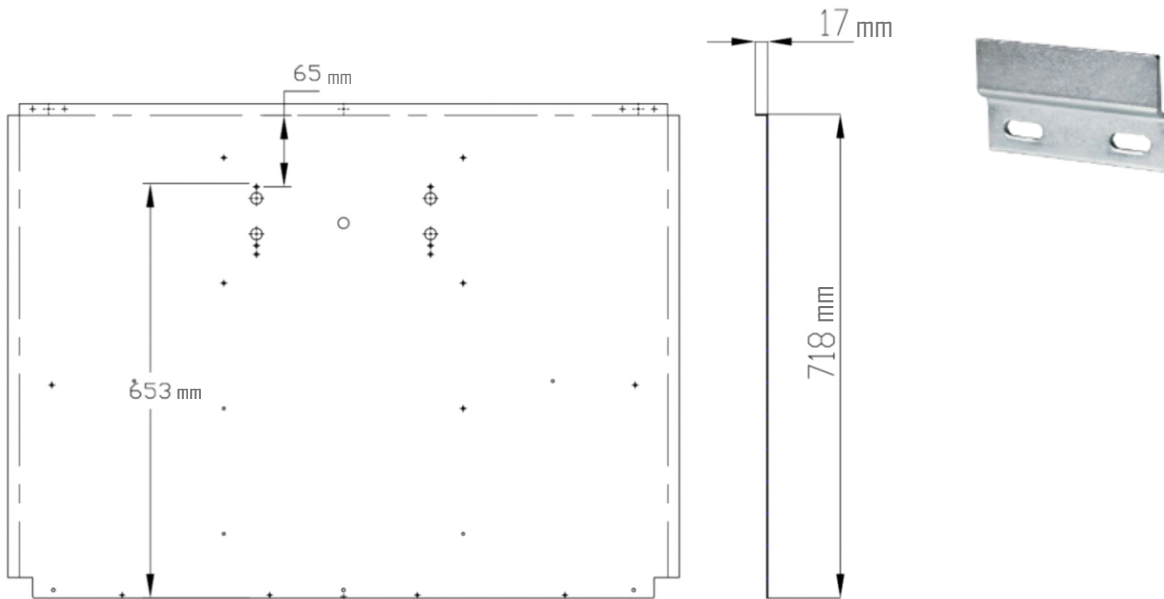


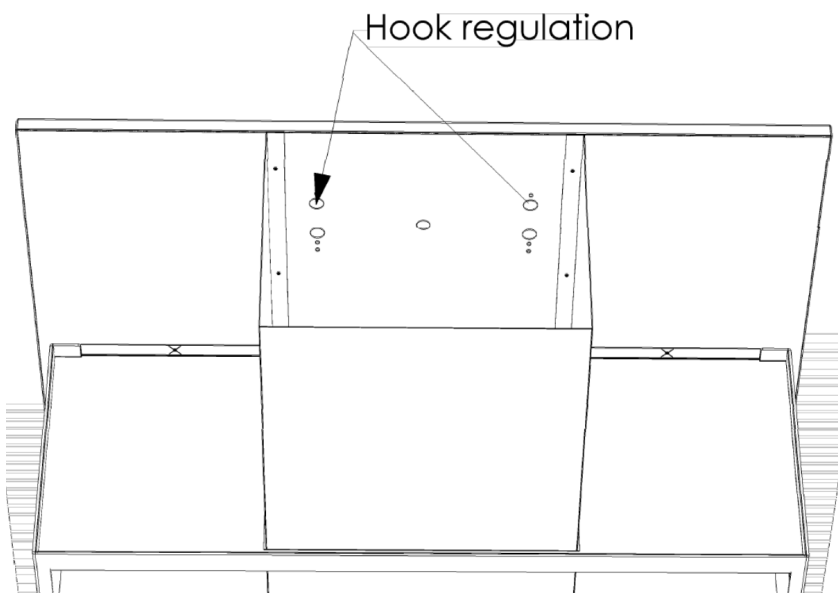
MODEL: COUNTER WALL RANGE HOOD

**This type of cooker hood must be fixed to the wall. Very heavy product, hood handling and installation must be carried out by at least two persons. Before beginning installation: Expansion wall plug (metal dowel ) are provided to secure the hood to most types of walls/ceilings. However a qualified technicians must verify suitability of the materials in accordance with the type of the ceiling. The ceiling/wall must be strong enough to take the weight of the hood**

1. Drill the wall 65mm from the top of hood in order to fix metal bars provided with expansion wall plugs.



2. Use the hooks already mounted in the back of the hood to fix it to the wall.



## Control panel



Light ON/OFF

Speed 1 – Off if in speed 1

Speed 2

Speed 3

Speed 4 – After 5 min turns in speed 3

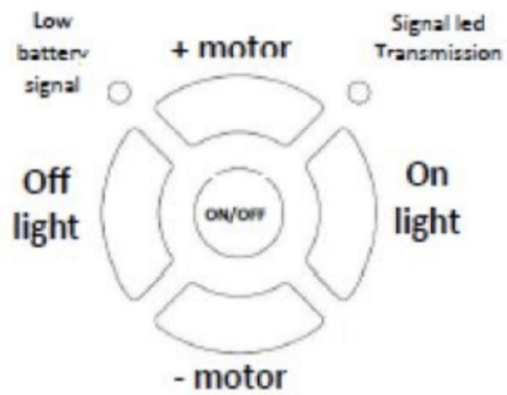
## Remote control

N.B TO SET UP REMOTE CONTROL WITH COOKER HOOD PRESS A BUTTON WITHIN 10 SEC FROM THE SWITCHING ON OF THE HOOD

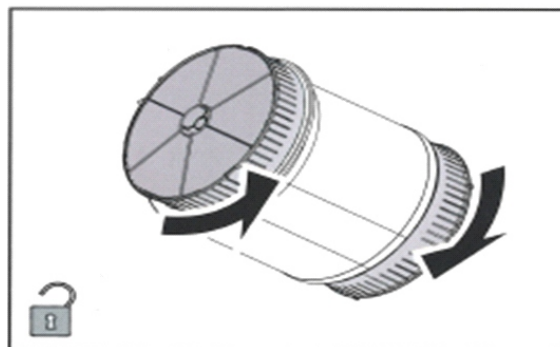
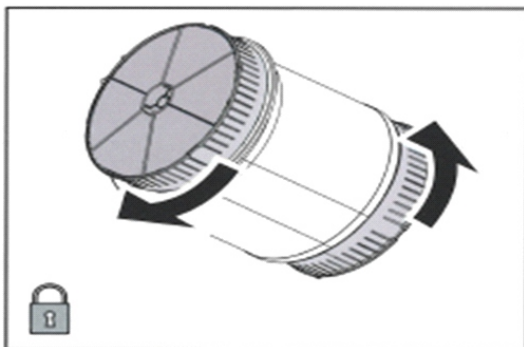
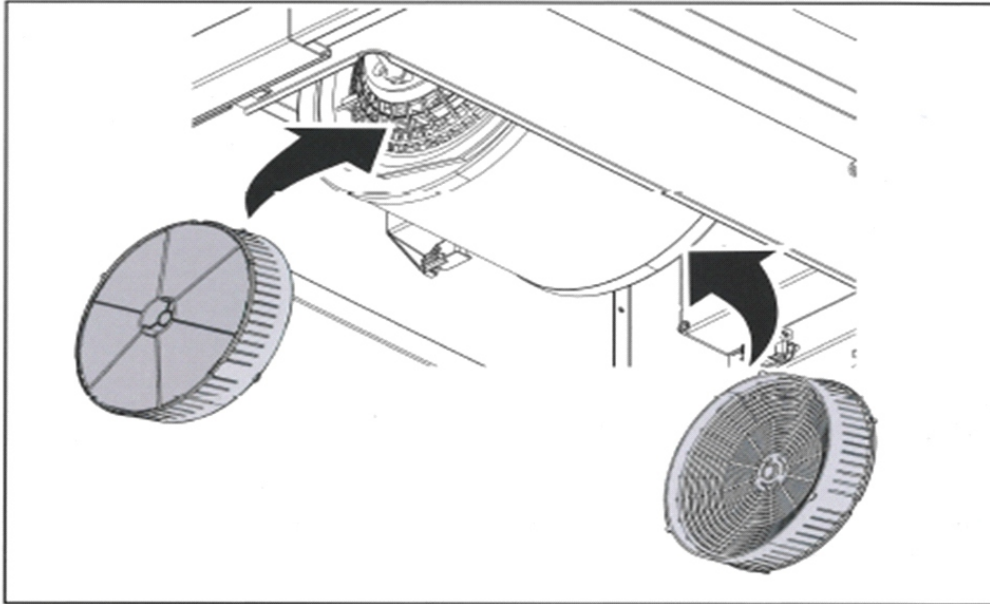
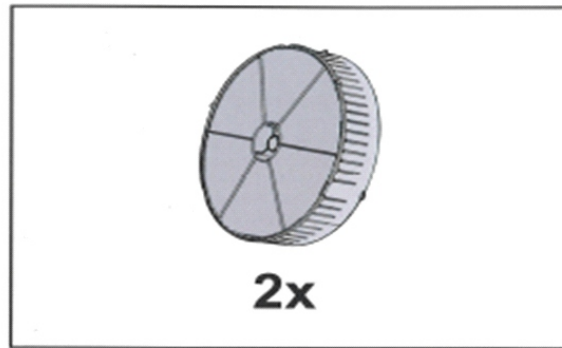


- A. On/off speed 1
- B. Speed increase
- C. Speed decrease
- D. Light on
- E. Light off

Timer - Press A for 3 sec. Each 5 min speed decrease – the display will flash



## Installation carbon filter



For best hood performance, it's recommended to replace the carbon filter every 3-4 month