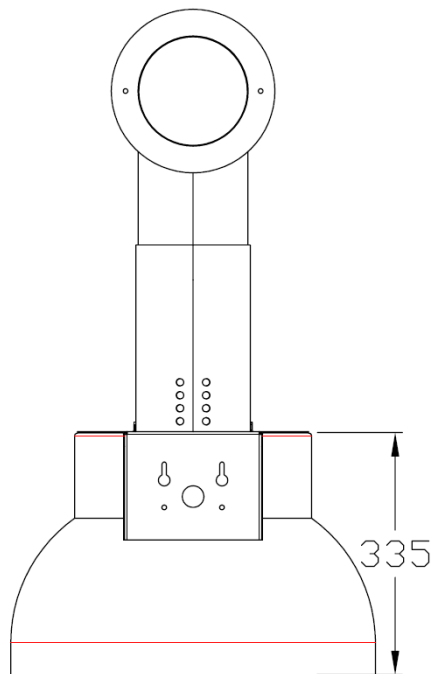
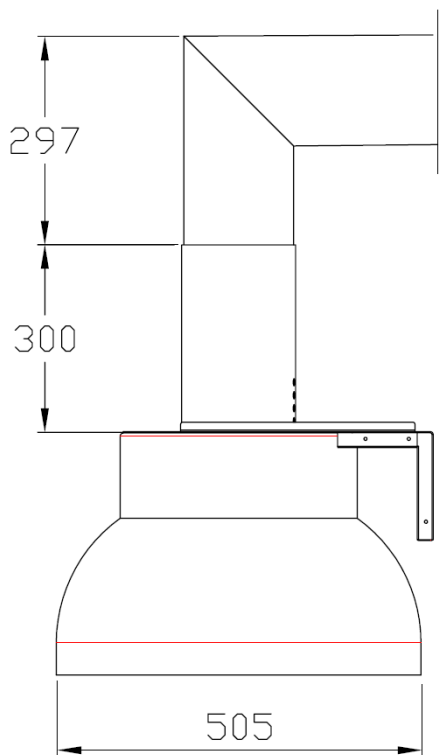


INSTRUCTION MANUAL

Campana



Warnings

Before any cleaning or maintenance operation, disconnect the hood from the mains by removing the plug or disconnecting the main switch of the house. For all installation and maintenance operations, use work gloves. The appliance can be used by children of at least 8 years of age and by people with reduced physical, sensory or mental capabilities, or lack of experience or the necessary knowledge, provided they are supervised or after they have received instructions relating to safe use of the appliance and an understanding of the inherent dangers. Children must be supervised to ensure they do not play with the appliance. Cleaning and maintenance must not be carried out by unsupervised children.

Attention! Do not connect the appliance to the mains until the installation is completely completed.

With the constant aim of improving our products, we reserve the right to make any changes resulting from their evolution to their technical, functional or aesthetic characteristics.

Assembly and use instructions

Strictly follow the instructions in this manual. We decline all responsibility for any inconvenience, damage or fire caused to the appliance deriving from failure to observe the instructions given in this manual. The hood is designed to extract cooking fumes and vapors and is intended for domestic use only. The hood may have different aesthetics than shown in the drawings in this booklet, however the instructions for use, maintenance and installation remain the same. It is important to keep this manual to be able to consult it at any time. In case of sale, assignment or move, make sure it stays with the product. Read the instructions carefully: there is important information on installation, use and safety. Do not make electrical or mechanical changes to the product or the exhaust pipes. Before proceeding with the installation of the appliance, check that all the components are not damaged. If not, contact your dealer and do not continue with the installation.

Tips

For correct use in order to reduce the environmental impact: When you start cooking, turn on the hood at minimum speed, leaving it on for a few minutes even after cooking has finished. Increase the speed only for large quantities of smoke and vapor, using the booster function only in extreme cases. To keep the

odor reduction system efficient, replace the carbon filter/s when necessary. To keep the grease filter in good working order, clean it if necessary. To optimize efficiency and minimize noise, use the maximum diameter of the ducting system indicated in this manual.

Utilization

The hood is designed to be used in the extractor version with external evacuation or filtering version with internal recirculation. Suction version The vapors are evacuated to the outside via an exhaust pipe fixed to the connection flange. The diameter of the exhaust pipe must be equivalent to the diameter of the connection ring. Attention! The evacuation tube is not supplied and must be purchased. In the horizontal part, the pipe must have a slight upward inclination (about 10°) in order to be able to transport the air outwards more easily. If the hood is equipped with charcoal filters, these must be removed. Filtering version The extracted air will be degreased before being returned to the room. To use the hood in this version it is necessary to install an additional filtering system based on activated carbon. Note: The air recycled through the charcoal filters is returned to the kitchen through a duct that conveys the air to one side of the cabinet. Installation Note: installation must be carried out in such a way that accessibility to the hood and electronic components is always guaranteed for any technical assistance interventions. Install the metal box containing the electronic components at a minimum distance of 65cm from the gas hob or in any case 65cm from the hood suction point.

Cleaning

External surface of the hood: use a cloth or sponge soaked in hot water and Marseille soap. N.B. DO NOT USE ALCOHOL-BASED PRODUCTS OR THINNERS.

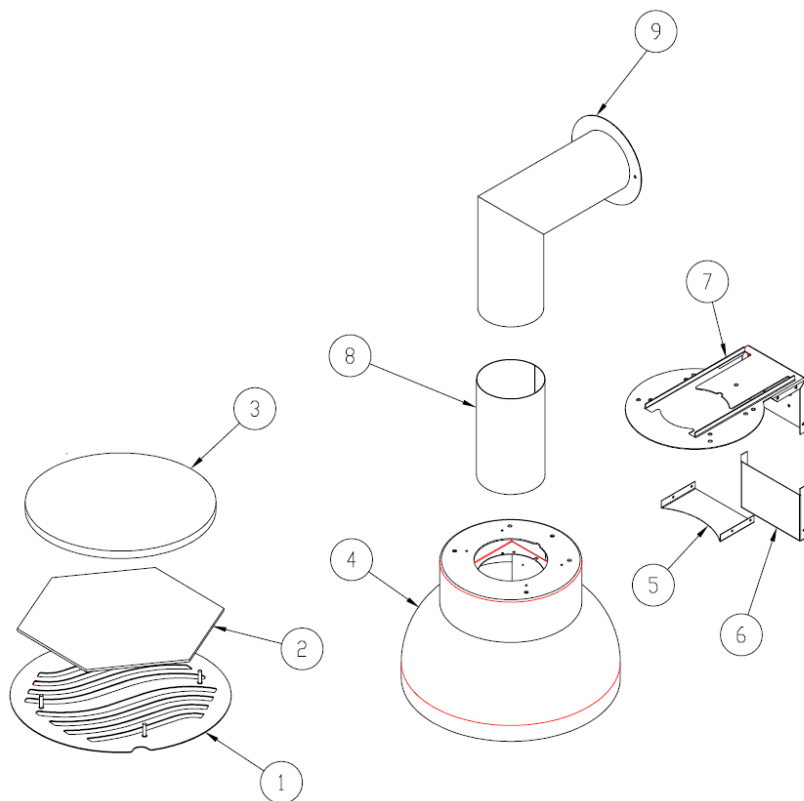
Internal surface of the hood: the hoods are internally divided into extractor hoods and filtering hoods.

Extractor hoods: this type of hood sucks the air and odors directing them directly outside, it only contains metal anti-grease filters which capture food particles. These filters can be washed by hand with products suitable for eliminating grease, such as degreasers for domestic use or in the dishwasher at a temperature not exceeding 50°. DO NOT use aggressive industrial products containing caustic soda or acids. It is recommended to wash the filter every three months.

Filtering hoods: this type of hood, on the other hand, purifies the air of bad smells but pours it into the room itself. The filtering hoods are equipped with grease filters and/or activated carbon filters: the latter cannot be washed and

must be replaced every three months or as soon as they turn yellow. The activated carbon filter is not washable as it would lose its odor absorbing function.

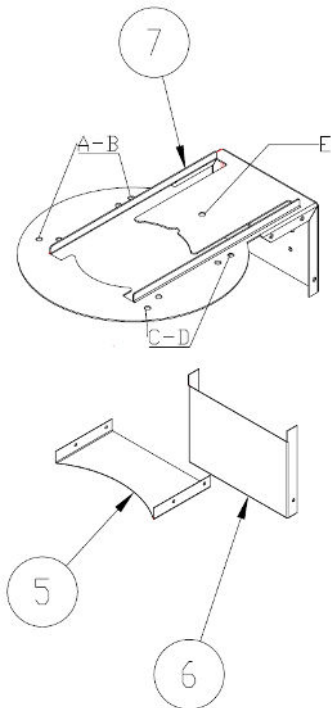
Installation Campana



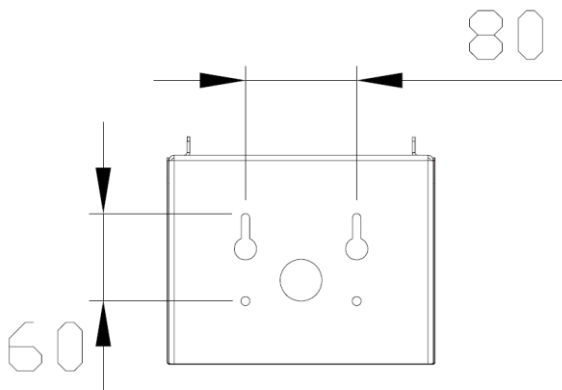
Nr.	Description	Qt.
1	Stainless steel filter	1
2	Aluminium filter	1
3	Optional Carbon filter	1
4	Metal body	1
5	Upper carter	1
6	Wall carter	1
7	Wall Fixing support	1
8	Lower Chimney	1
9	Upper chimney	1

See the following steps:

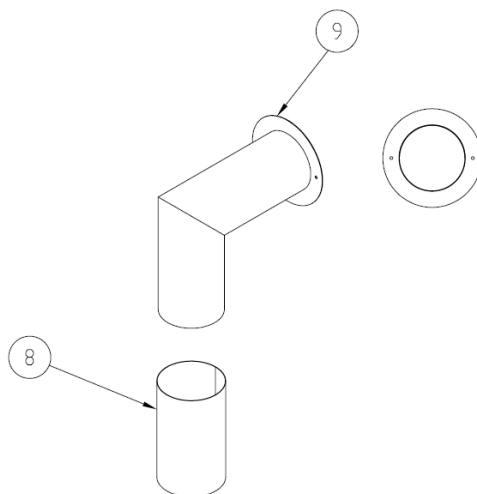
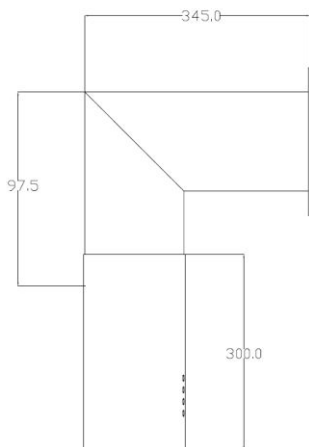
1. Unscrew A-B-C-D-E in order to remove the support (7) from the hood and carters (5-6)



2. Drill the wall in order to fix the support (7) by the provided 4 expansion wall plug



3. Replace carters (5-6)
4. Fix the hood on the upper support screwing A-B-C-D-E
5. Place the lower chimney (8) on the hood and then place the upper chimney (9) inside it and fix it to the wall at the extension required



Operation



Light ON/OFF

Speed 1 – Off if in speed 1

Speed 2

Speed 3

Speed 4 – After 5 min turns in speed 3

Optional Remote control



A. On/off speed 1

increase

decrease

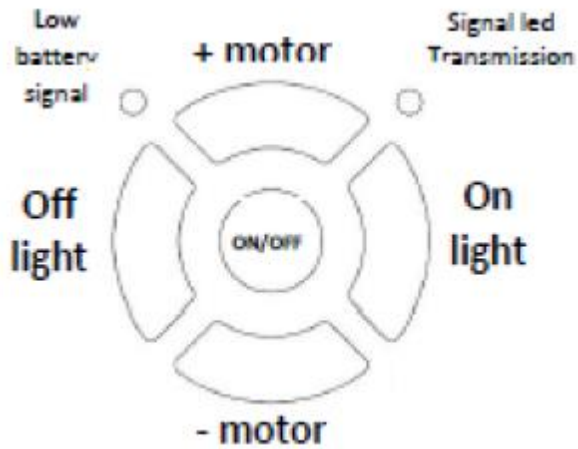
B. Speed

C. Speed

D. Light on

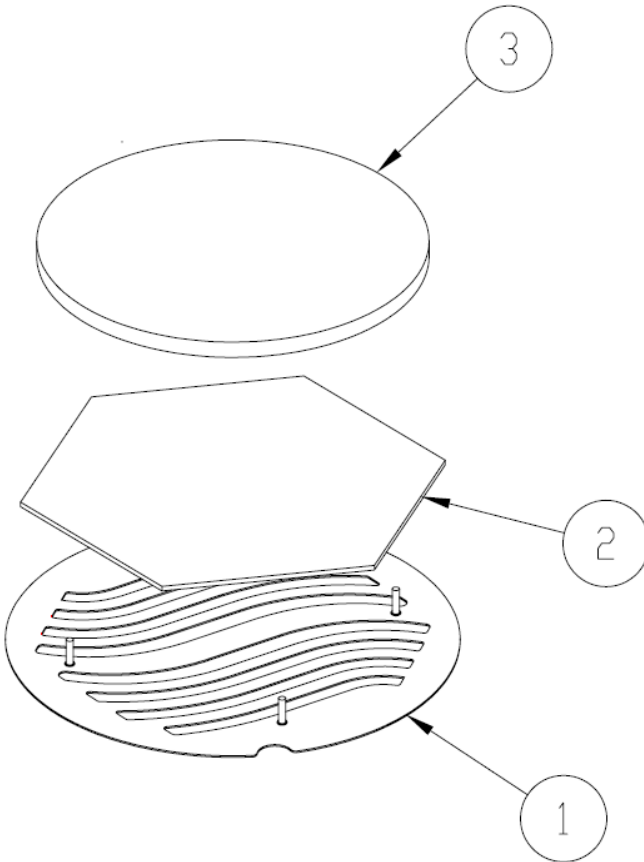
E. Light off

Timer – Press A for 3 sec. After 10min the engine is off. If the engine is in speed 4 after 5min turns in speed 3 and after 5min will be off. The led light on the control will flash.



(N.B Press button A for 8 sec in case of a new remote control when the plug is in for the first time)

Installation mesh carbon filter



In case of filtering hood remove 4 screws in the aluminium filter (2) place and push down on it the carbon filter (3) and then join all together.

For best hood performance, it's recommended to replace the carbon filter every 3-4 month

Futuro