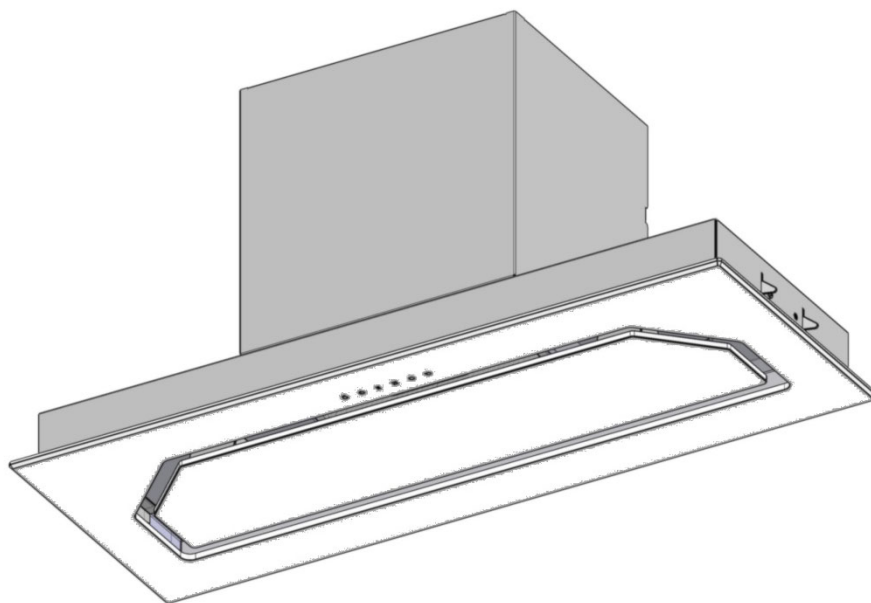


# Futuro Futuro

## BREEZE



INSTALLATION, OPERATING AND MAINTENANCE GUIDE

I GENERAL .....	3
II WARNINGS.....	3
III INSTALLATION.....	4
III.1 Preliminary Indications .....	4
III.2 Fixing the hood to the cabinet .....	5
III.3 Electrical Connection .....	5
IV USE .....	5
V OPERATION.....	5
V.1 Hood control .....	5
V.2 Adjustable and delayed self-switching off .....	6
V.3 Maintenance reminder .....	6
V.4 24h Comfort function.....	6
VI MAINTENANCE AND CLEANING.....	6
VI.1 Metal anti-grease filter.....	6
VI.2 Anti-odor activated carbon filter (for ductless hoods) .....	7
VI.3 Hood Cleaning.....	7
VI.4 Lighting .....	7
VII DISCONTINUATION.....	7

**120V - 60HZ**

## I GENERAL

Installation, operating and maintenance instructions for cooker hood model BREEZE.

**120V - 60HZ**

**READ AND SAVE THESE INSTRUCTIONS**

## II WARNINGS

**CAUTION: Automatically Operated Device - To Reduce The Risk Of Injury Disconnect From Power Supply Before Servicing.**

**WARNING: To Reduce The Risk Of Fire Or Electric Shock, Do Not Use This Fan With Any Solid-State Speed Control Device.**

**PAY ATTENTION TO:**

- A) THE NEED FOR FREQUENT CLEANING OF ALL GREASE FROM THE FAN AND FROM ALL OTHER GREASE-LADEN SURFACES;**
- B) THE NEED FOR FREQUENT REMOVAL AND CLEANING OF ANY FILTER UNIT PROVIDED.**

**WARNING: To provide protection against electric shock, connect to properly grounded outlets only.**

**For Residential Use Only**

**WARNING: GROUNDING INSTRUCTIONS**

This appliance must be grounded. In the event of an electrical short circuit, grounding reduces the risk of electric shock by providing an escape wire for the electric current. This appliance is equipped with a cord having a grounding wire with a grounding plug. The plug must be plugged into an outlet that is properly installed and grounded.

**WARNING - Improper grounding can result in a risk of electric shock.**

Consult a qualified electrician if the grounding instructions are not completely understood, or if doubt exists as to whether the appliance is properly grounded. Do not use an extension cord. If the power supply cord is too short, have a qualified electrician install an outlet near the appliance.

**WARNING - TO REDUCE THE RISK OF FIRE, USE ONLY METAL DUCTWORK.**

**WARNING - TO REDUCE THE RISK OF A RANGE TOP GREASE FIRE:**

- a) Never leave surface units unattended at high settings. Boilovers cause smoking and greasy spillovers that may ignite. Heat oils slowly on low or medium settings.**
- b) Always turn hood ON when cooking at high heat or when flambeing food (i.e. Crepes Suzette, Cherries Jubilee, Peppercorn Beef Flambe’).**
- c) Clean ventilating fans frequently. Grease should not be allowed to accumulate on fan or filter.**
- d) Use proper pan size. Always use cookware appropriate for the size of the surface element.**

**WARNING - TO REDUCE THE RISK OF INJURY TO PERSONS IN THE EVENT OF A RANGE TOP GREASE FIRE, OBSERVE THE FOLLOWING:**

- a) SMOTHER FLAMES with a close-fitting lid, cookie sheet, or metal tray, then turn off the burner. BE CAREFUL TO PREVENT BURNS. If the flames do not go out immediately, EVACUATE AND CALL THE FIRE DEPARTMENT.**
- b) NEVER PICK UP A FLAMING PAN - You may be burned.**
- c) DO NOT USE WATER, including wet dishcloths or towels - a violent steam explosion will result.**
- d) Use an extinguisher ONLY if:**
  - 1) You know you have a Class ABC extinguisher, and you already know how to operate it.**
  - 2) The fire is small and contained in the area where it started.**
  - 3) The fire department is being called.**
  - 4) You can fight the fire with your back to an exit.**

**THE MINIMUM DISTANCE BETWEEN THE SUPPORTING SURFACE OF THE COOKING HOB AND THE LOWEST PART OF THE RANGE HOOD MUST BE NOT LESS THAN 26IN (65 CM) WITH A GAS HOB.**

## READ AND SAVE THESE INSTRUCTIONS

Keep these instructions in a safe place and pass them on to any future user. Read these instructions carefully before installing or using the range hood.

Before connecting the appliance to the power supply make sure that the voltage (V) and frequency (Hz) listed on the data plate correspond with the household electrical supply. This data must correspond to prevent appliance damage.

Installation work and repairs should only be performed by a qualified technician under all applicable codes and standards. Repairs and other work by unqualified persons could be dangerous.

In the event of a fault, please contact the Technical Service authorized to provide genuine parts. When contacting the Technical Service, please quote the model and the serial number of your appliance. These are shown on the data plate. Ensure that power to the appliance is OFF while the appliance is not in use.

During thunderstorms switch-off the main switch of the house electrical system or if the device is equipped with a plug, simply unplug it.

Use this appliance only in the manner intended by the manufacturer and no other than exhausting cooking fumes on domestic kitchens.

The manufacturer does not accept any liability for damages caused by people, animals, or things, by installation and maintenance mistakes, or by any illegitimate use.

Observe the following essential safety instructions during the use of any electrical appliance:

- This appliance is not intended for use by persons (including children) with reduced physical, sensory or mental capabilities, or lack of experience and knowledge unless they have been given supervision or instruction concerning the use of the appliance by a person responsible for their safety. Children should be supervised to ensure that they do not play with the appliance.
- To prevent the risk of fire it is compulsory to disconnect the appliance from the power supply before cleaning or servicing the hood;
- Do not pull, take off, or twist the cable coming out from the appliance, even though this has been disconnected from the main power supply.
- Do not sprinkle or throw any water directly on the appliance.
- Do not stick any sharp tool inside the exhausting holes and into the air outlet.
- Do not take out the filters to reach the internal sides of the appliance in case the main switch of the house electrical system is not off.
- Do not flambé or grill with an open flame beneath the hood. Flames could be drawn up into the hood by the suction and the filters may ignite.
- Pay particular attention while frying. Heat oils slowly on low or medium settings.
- CAUTION: Accessible parts may become hot when used with cooking appliances.
- It is forbidden to use the hood as a support surface unless it is expressly indicated.
- Only use the fixing screws supplied with the product for installation.



**CAUTION: Accessible parts may become hot when used with cooking appliances.**

The appliance may have different aesthetics compared to what is illustrated in the drawings in this manual, however the instructions for installation, use and maintenance remain the same.

*The manufacturer strives for continuous improvements.*

*For this reason, the text and illustrations in this manual may be changed without notice.*

## III INSTALLATION

### III.1 Preliminary Indications

Carefully read the guide before installation and use of the appliances.

The installation requires safety equipment and a range of tools as per Fig. 3.1.1.

With the hood correctly installed, the minimum distance between the supporting surface of the cooking hob and the lowest part of the range hood must be not less than 28in - 30in for both electric and gas cooktops (Fig. 3.1.2).

If the mounting instructions of the gas hob indicate a wider distance, respect it.

It must not be superimposed on stoves with an upper radiating plate.

Respect all the air discharge regulations.

The air must not be discharged in a pipe used to discharge exhaust fumes produced by gas-fed equipment or fuel-fed equipment.

The room must be adequately ventilated when the hood is used together with other gas or fuel types of equipment.

The hood is equipped with all the necessary fastenings for its installation, which are suitable for most surfaces.

Verify that the installation surface is strong.

Installation must be carried out by qualified installers according to present regulations.

## III.2 Fixing the hood to the cabinet

To install the hood in the wall unit, the measurements in Fig. 3.2.1 and Fig. 3.2.2 must be observed.

Follow the steps indicated below:

Drill into the wall unit as in Figure 3.2.2.

Thread the hood and fasten it through the clamping hooks (Fig. 3.2.3-A).

Secure the screws (Fig. 3.2.3-B) making sure that both brackets are in contact with the shoulder of the wall unit

Apply the two side caps, inserting them laterally and fixing the screws (Fig. 3.2.3-C).

Apply the aesthetic cover (Fig. 3.2.3-D) to the hood by inserting it on the wall unit and resting it on the hood.



## III.3 Electrical Connection

The electrical connection must be carried out **ONLY** by qualified technicians.

The electrical protection of the electrical connection upstream of the equipment must comply with the regulations in force.

Any change to the electrical installation necessary to install the hood should only be undertaken by qualified staff.

After installation, insulated parts and those carrying electricity must be protected from any possible contact.

	<b>Caution!</b> If the electrical connection is carried out incorrectly or not meeting the regulations, it may damage part of the appliance and the warranty will not be valid.
	<b>Warning!</b> Before making the electrical connection, turn the main switch of the domestic system to "off".

**These appliances must be earthed.**

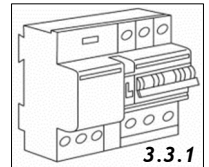
The appliance is supplied without plug and must be connected to the electrical system with a voltage of 120V and a frequency of 60Hz.

One type of connection to the electrical network is possible:

Stable connection to the network by interposing a bipolar switch to ensure disconnection from the network, with a contact opening distance allowing complete disconnection under the conditions of the overvoltage category III, by the installation rules (Fig. 3.3.1.).

**Earth connection (yellow-green wire) should not be interrupted.**

If the power cord is damaged, it must be replaced by the manufacturer or its authorized service center or by a qualified technician, to prevent any risk.



## IV USE

This cooker hood can be installed in ducted or filtering mode.

**Ducted** (external evacuation, Fig. 4.1). Remove any anti-odor filters if present. Kitchen smokes are vented outside through a flue (not provided with the hood) joined to the exhaust pipe flue connector.

This pipe must not under any circumstances be connected to cooker, boiler or burner exhaust pipes, etc.

Install this flue after completing what is described in the INSTALLATION.

The use of pipes and holes on the wall with a smaller diameter than the motor output will cause a decrease in suction performance and an increase in the noise level.

Use as short as possible tubes and with few curves.

Use pipes with smooth internal surfaces.

**Filtering mode** (ductless, Fig. 4.2). The cooking fumes pass through the anti-odor filter (not supplied with the hood) to be purified and recycled into the kitchen. The use of anti-odor filters reduces the performance of the hood.

## V OPERATION

The hood is supplied with a multispeed blower. The hood should be run at low speed under normal conditions and at higher speeds only when there is a heavy build-up of fumes or odours. Ideally, the hood should be switched on as soon as cooking is started and then kept on until all odours have been eliminated.

### V.1 Hood control

Hood controls operation (Fig. 5.1.1):

TL button: illumination on and off.

T1 button: switching on the hood, selecting the first speed, switching off the blower.

T2-T3-T4 button: selection of the second, third and fourth speed of the blower

The LED of the key in operation remains lit steadily.

To turn the blower off when you are not at the first speed, press T1 twice.

A signal beep confirms receipt of the command. If T1 is off, T2, T3 and T4 do not activate the beep.

## V.2 Adjustable and delayed self-switching off

This function allows to programme the delayed switch-off of the hood after cooking.

Causes total shutdown of lights and blower.

With the hood in operation, select the desired speed, then keep the TL button pressed for a few seconds until the speed LEDs (T1, T2, T3, T4) start flashing indefinitely until the hood auto-off setting. By pressing one of the keys (T1, T2, T3, T4) the delayed auto-off time can be programmed, as follows:

T1 corresponds to 5 minutes; T2 corresponds to 10 minutes; T3 corresponds to 15 minutes; T4 is 20 minutes.

During automatic shut-off operation, the set speed can be changed. If the choice of the switch-off time corresponds to the set speed, the speed LED flashes; if the choice is different, the speed LED remains fixed.

During operation with auto-switch-off it is possible to deactivate the delayed switch-off by keeping the hood in operation, keeping the button corresponding to the selected delayed time pressed.

During the auto-off function it is however possible to switch off the hood by pressing T1 twice.

During the auto-off function, TL and TR remain independent.

With the TL button active, the delayed auto-off function cannot be activated.

## V.3 Maintenance reminder

### Metal anti-grease filters

Every 30 hours of operation of the hood, when it is switched off, all the hood speed button LEDs light up with a steady light for 30 seconds to alert the necessary cleaning of the metal grease filter. To reset the timer simply press and hold the T4 button with the fan off. If the timer is not reset, all the LEDs will light up again each time the hood is switched off again. You can reset the timer at any time.

### Anti-odor activated carbon filter (for ductless hoods)

Every 120 hours of operation of the hood, when it is switched off, all the LEDs of the hood speed button will switch on for 30 seconds to remind the cleaning of the metal grease filters and, if the hood is in the filtering version, it is necessary to replace the carbon filters. To reset the timer, simply press the T4 button with the fan off, otherwise the the LED will flash again after each time the hood is switched off. You can reset the timer at any time.

## V.4 24h Comfort function

This function allows the continuous air renewal in your kitchen when the hob and the range hood are not being used. Air extraction cycles are activated at programmed time intervals: 5 min ON - 25 min OFF. These timed cycles clean the air of any lingering odours as cigarette smoke, detergents and stagnant and stuffy smells. This function is easy to activate and deactivate when required or can be left on for 24 hours.

To activate and deactivate this function, press TR key (Fig. 5.1.1).

The blower starts working for 5 minutes every 25 minutes at the first speed for a maximum of 24 hours.

During the suction phase the recirculation symbol flashes, otherwise it remains steady.

During operation it is possible to switch off the blower by deactivating the function using the TR button, otherwise press T1 to return to first speed.

# VI MAINTENANCE AND CLEANING



**Warning!** Before any maintenance or cleaning operation, disconnect the hood from the power supply by setting the main switch of the domestic system to "off".

## VI.1 Metal anti-grease filter

Particular attention should be paid to the metal grease filter, which has the function of retaining the fat particles contained in the vapors. The anti-grease filter must be washed when the warning appears or at least once a month, use hot water and detergent (or put it in the dishwasher). The filter may become discolored after a few washes. This is normal and does not mean that it needs to be replaced.

For any maintenance, the fat filter must be removed from the hood. First of all, open the glass.

You will then access the internal fat filter and be able to take it out with the relative handle (Fig. 6.1.1).

At this point you can proceed and clean the filter. To reinstall the fat filter, repeat the instructions in reverse order.



**ATTENTION:** the grease collected in the filters can easily catch fire and it is therefore extremely important to clean the metallic filters regularly as per instructions

## VI.2 Anti-odor activated carbon filter (for ductless hoods)

The anti-odor activated carbon filters, if present, have the function of retaining the odors present in the cooking fumes. The purified air is recycled into the room. The anti-odor activated carbon filters must not be washed and must be replaced 3 or 4 times a year depending on the use of the hood. Request the filters to the manufacturer.

To install the activated carbon filter, the metal grease filter must first be removed (Fig. 6.1.1). At this point, without the use of tools, you can remove the two support rods and anti-odor activated carbon filter (Fig. 6.1.1). Invert the operation in order to install the new anti-odor activated carbon filter.

## VI.3 Hood Cleaning

The hood must be cleaned immediately after installation and removal of the protective film to eliminate any residual adhesive or other impurities. The hood must be cleaned frequently both internally and externally (at least once a month). Do not allow dirt to accumulate on the surfaces of the hood.

Do not use acid or basic products or abrasive sponges to clean the external parts of the hood. Clean the hood with a sponge moistened with hot water and a small quantity of neutral soap (for example dish soap) to eliminate any grease particles that may have deposited.

Rinse with a damp cloth, carefully remove all the soap, following the direction of the satin finish of the steel surface. Drying is particularly important, especially in areas where the water is very hard and leaves limescale deposits.

## VI.4 Lighting

The hood is equipped with LED lighting which, in addition to offering excellent lighting and limited energy consumption, guarantee a considerable duration over time. Both the brightness and temperature of the hood's LED lighting be adjusted (see the OPERATION section).

## VII DISCONTINUATION

The discontinuation means the definitive shutdown and disassembly of the appliance.

After discontinuation, the appliance can be installed on another piece of furniture, privately resold, or disposed of.

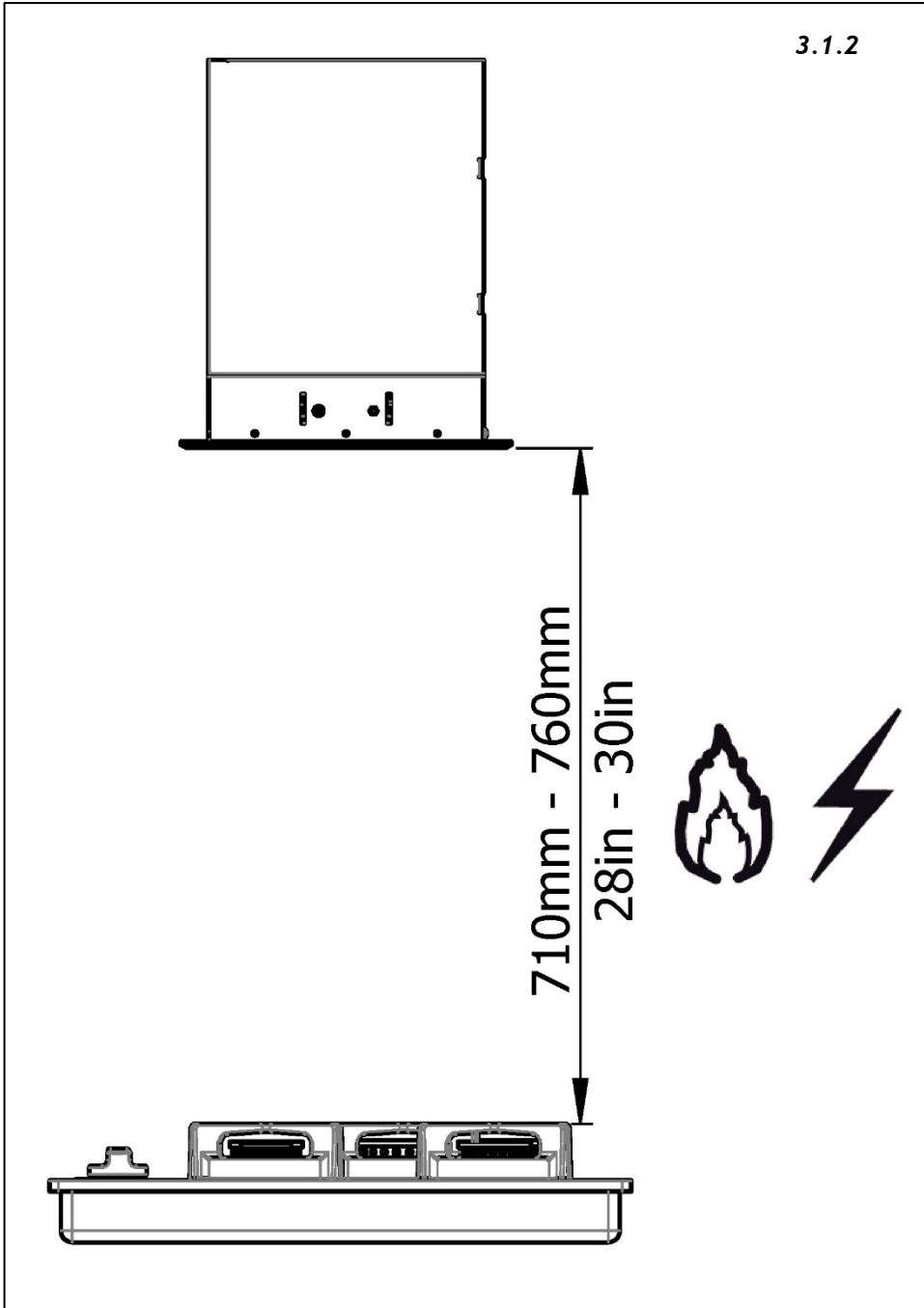
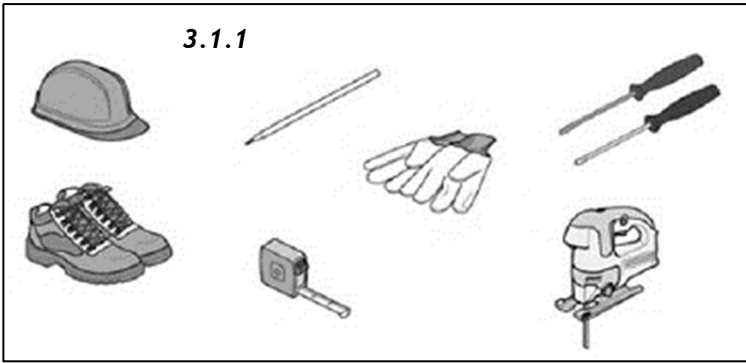


**Caution! For discontinuation, it is necessary to switch the appliance off and disconnect the power**

Disassembly requires that the device is accessible and has been disconnected from the power supply.

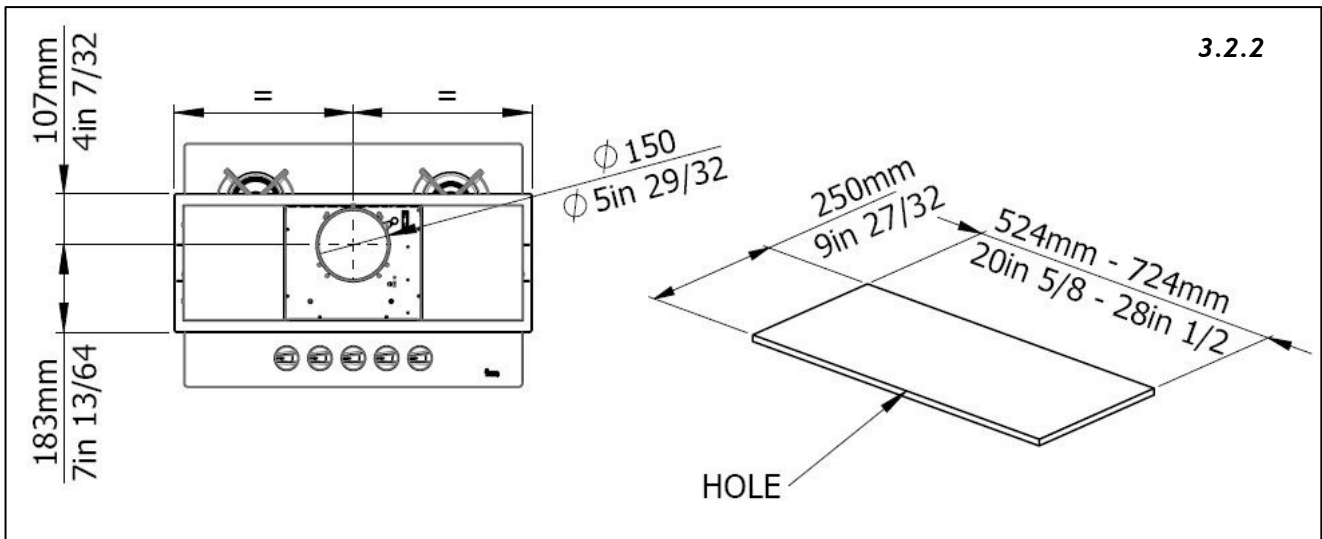
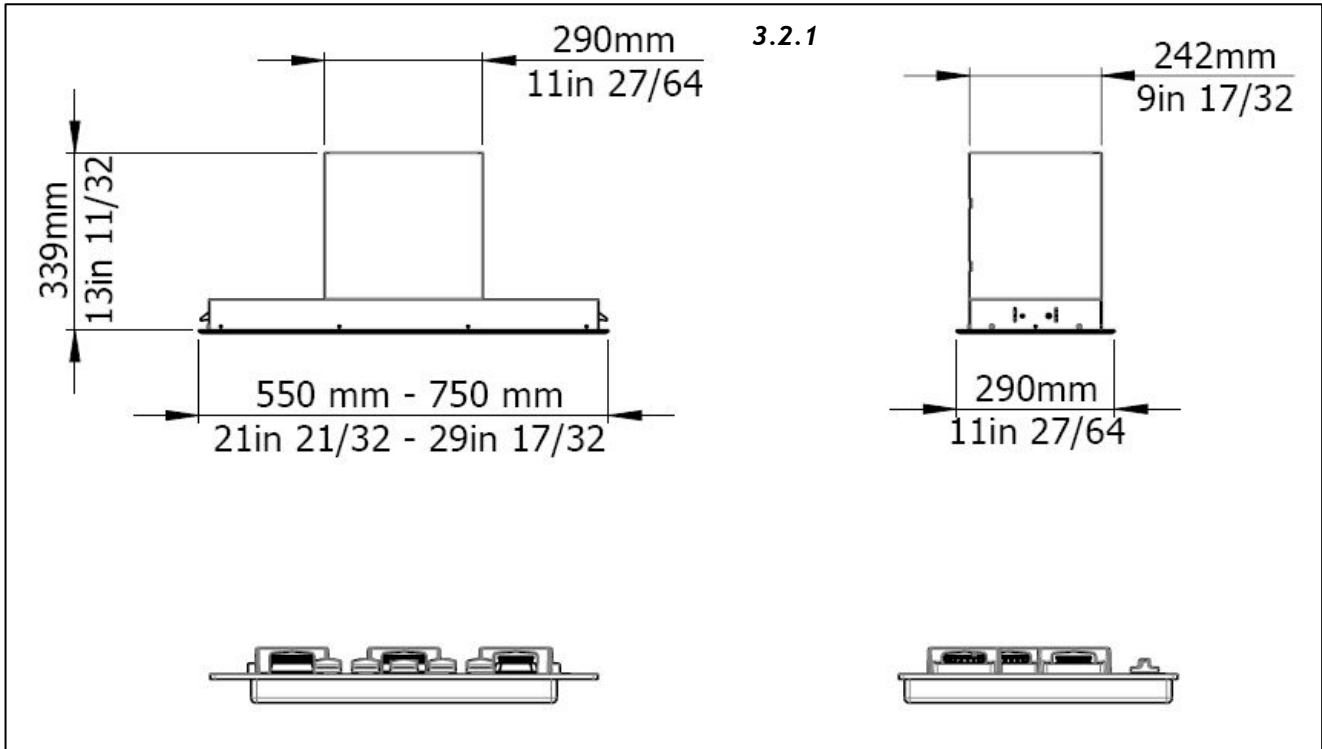
To do this, follow the installation instructions in reverse order.

# Futuro Futuro



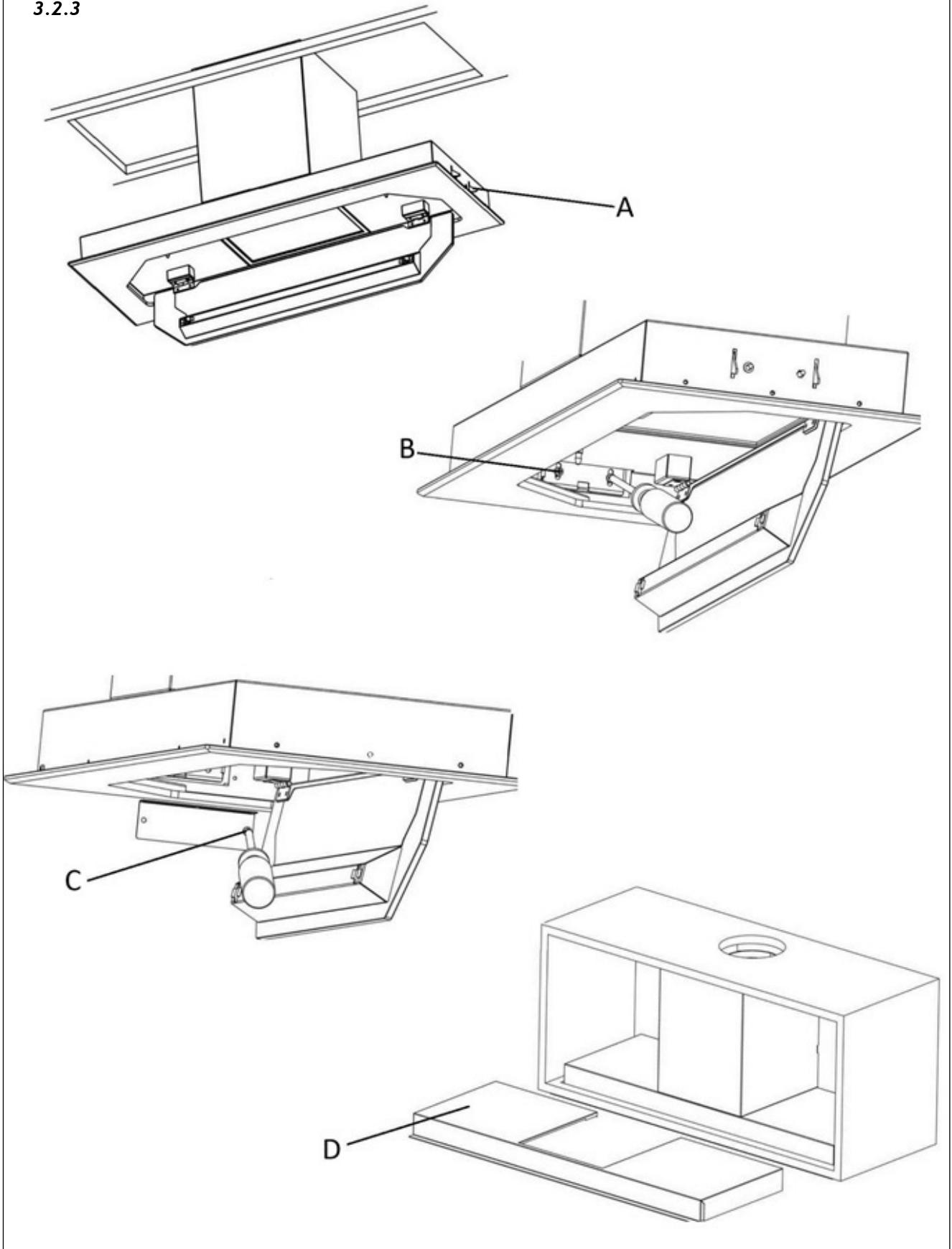


# Futuro Futuro



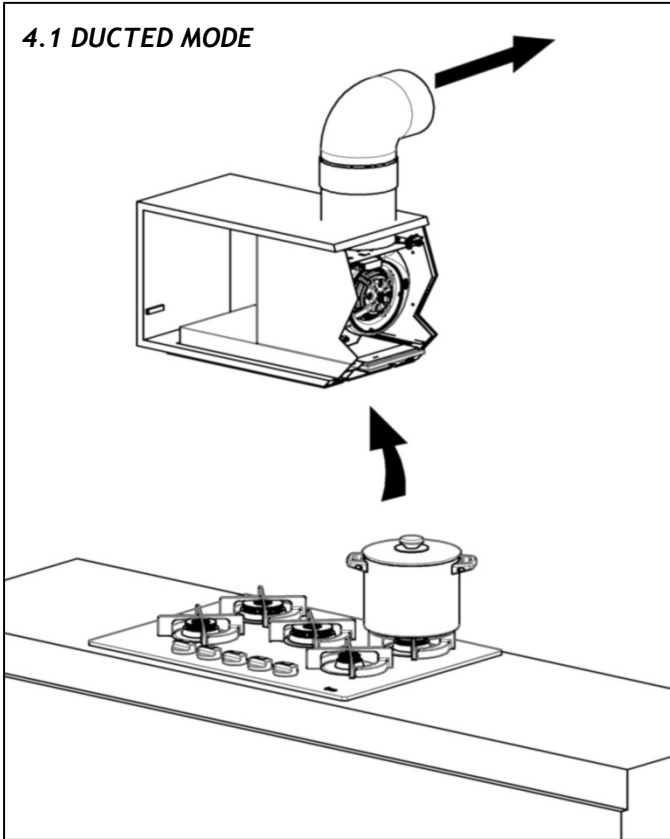
# Futuro Futuro

3.2.3

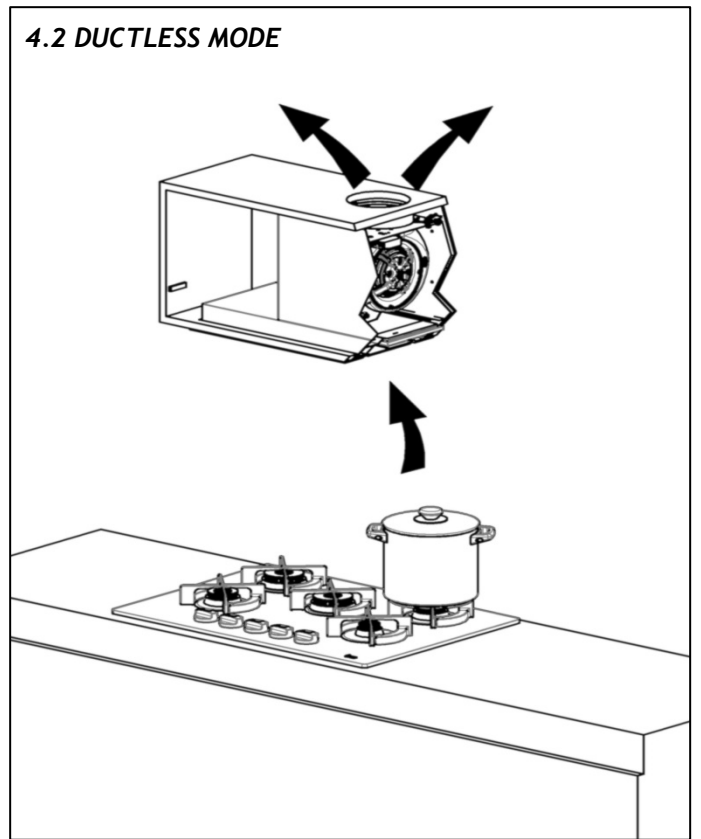


# Futuro Futuro

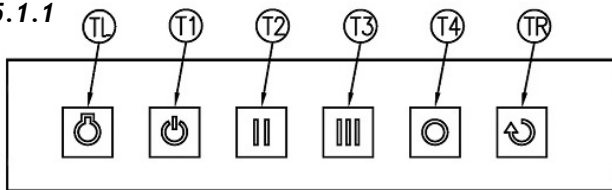
## 4.1 DUCTED MODE



## 4.2 DUCTLESS MODE



## 5.1.1



## 6.1.1

