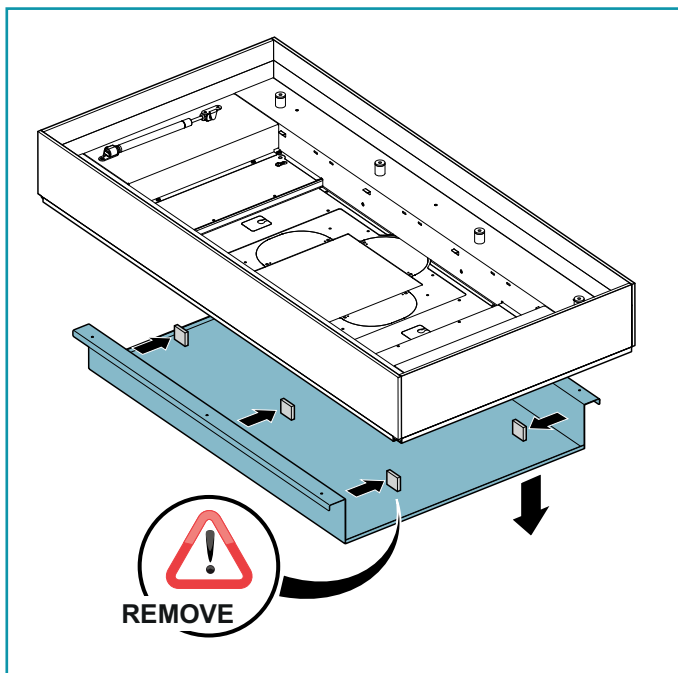
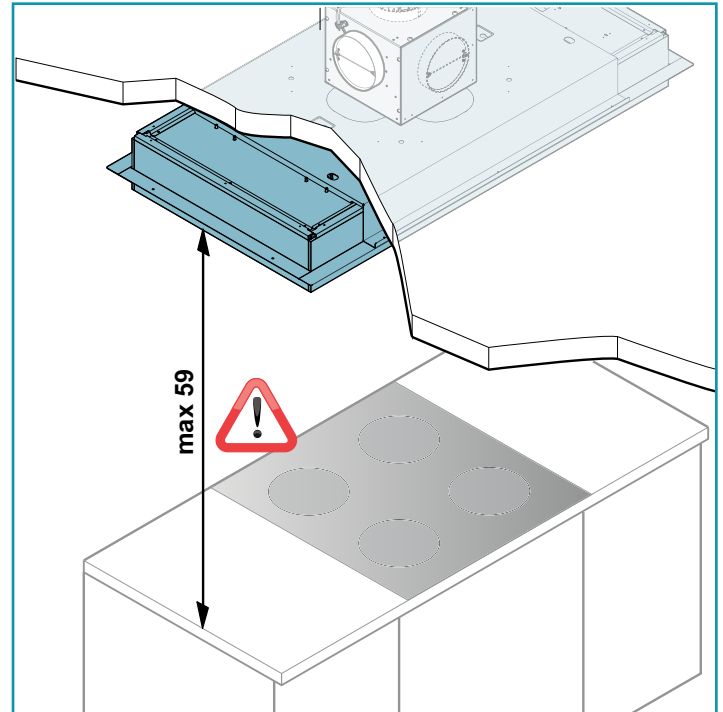
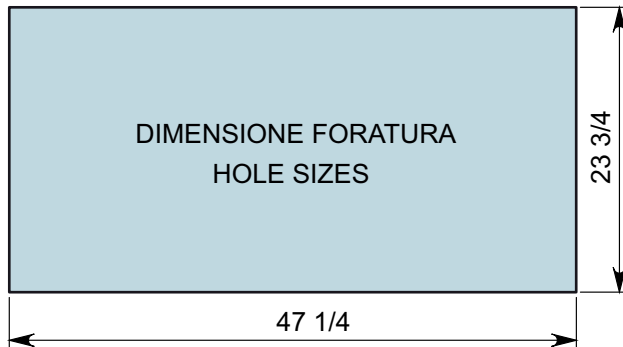
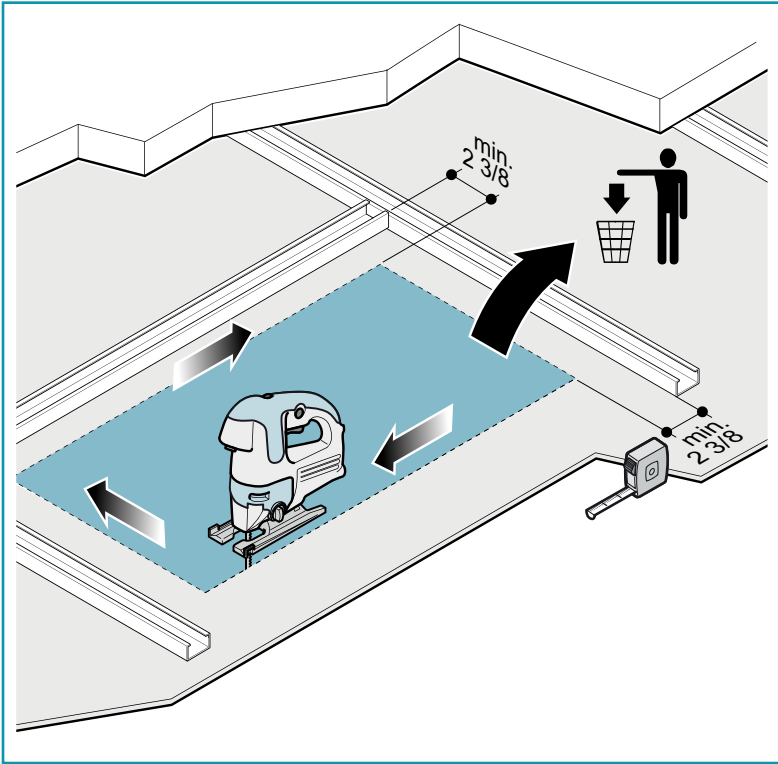


MODEL: ALINA ISLANDL RANGE HOOD

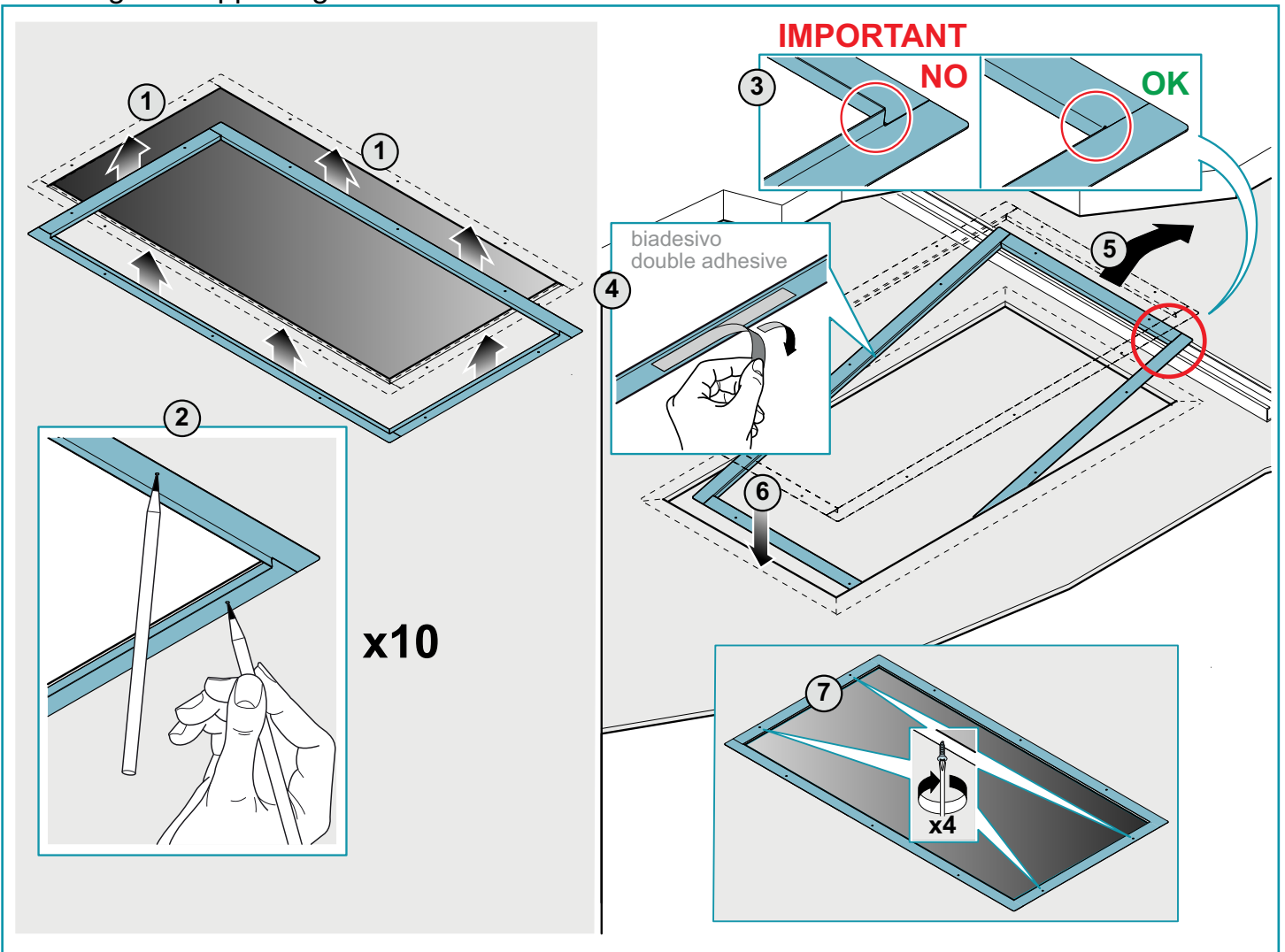
Measurements for installation.



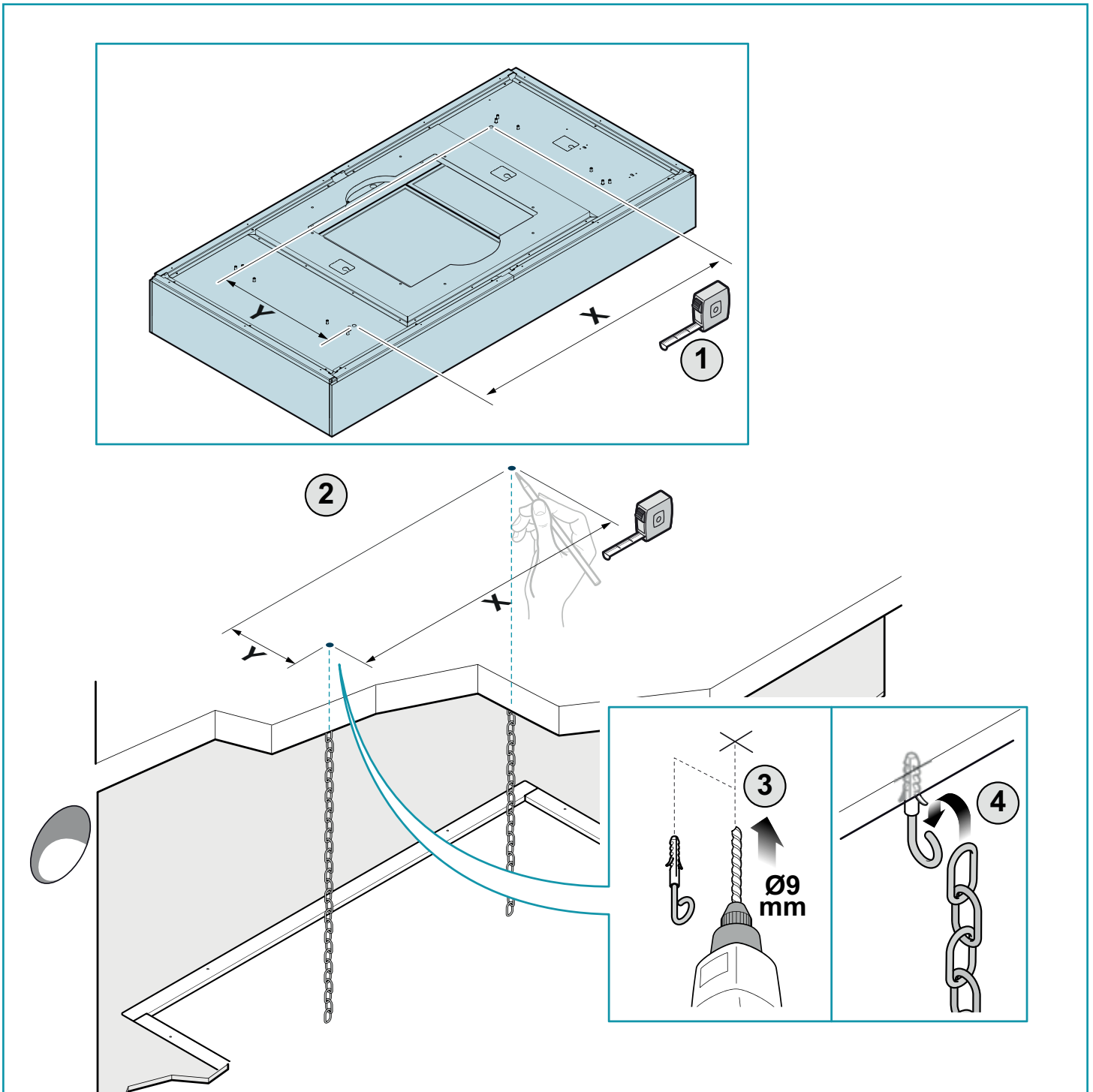
Preliminary operations: Cutting the plasterboard



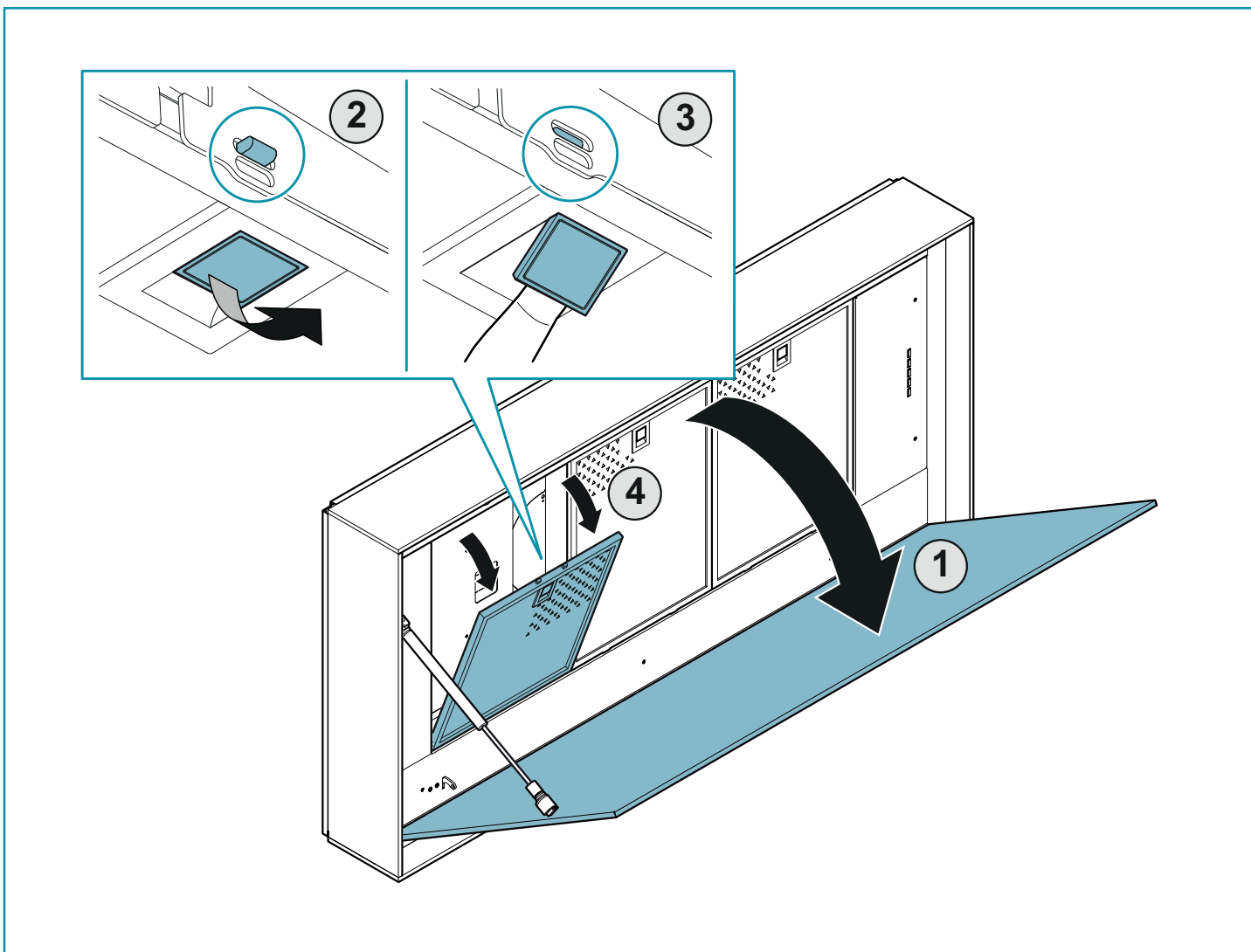
Inserting the supporting frame



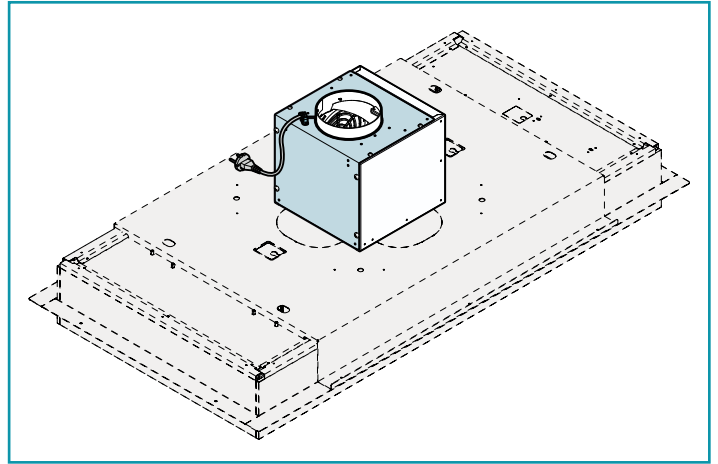
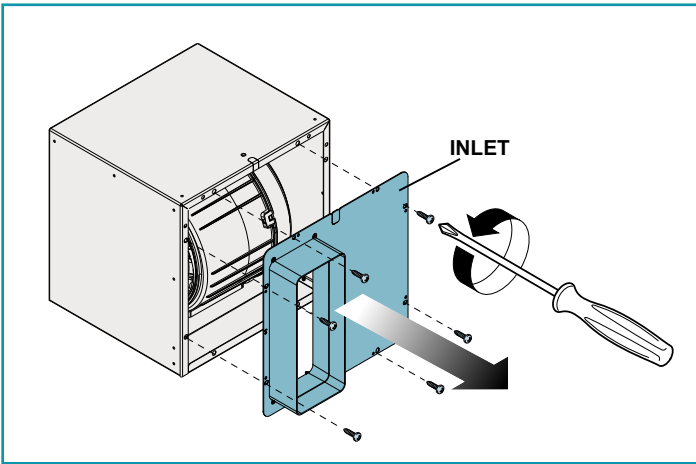
Preliminary operations: fixing the mandatory safety chains to the ceiling.



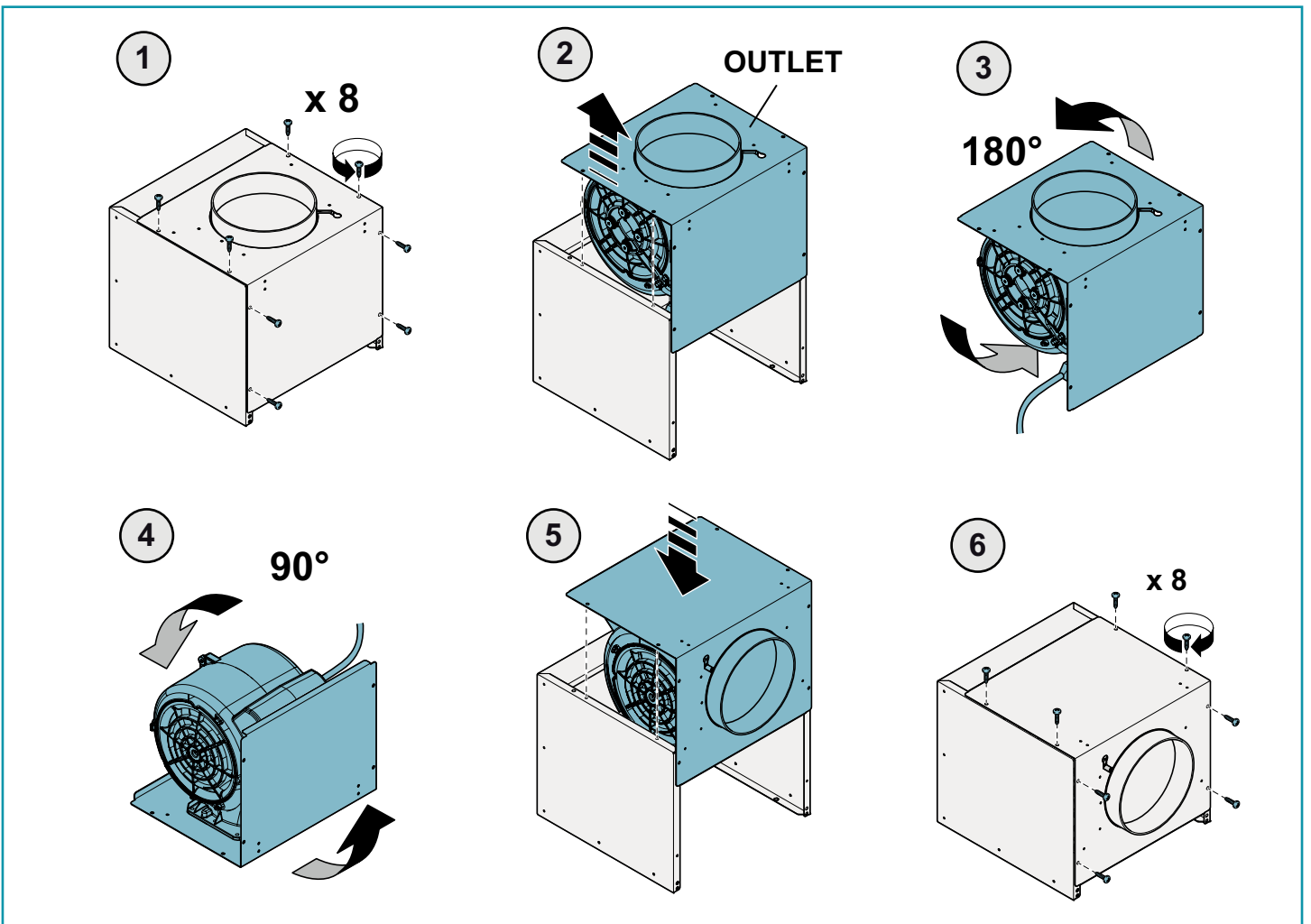
Open the panel, remove the filters

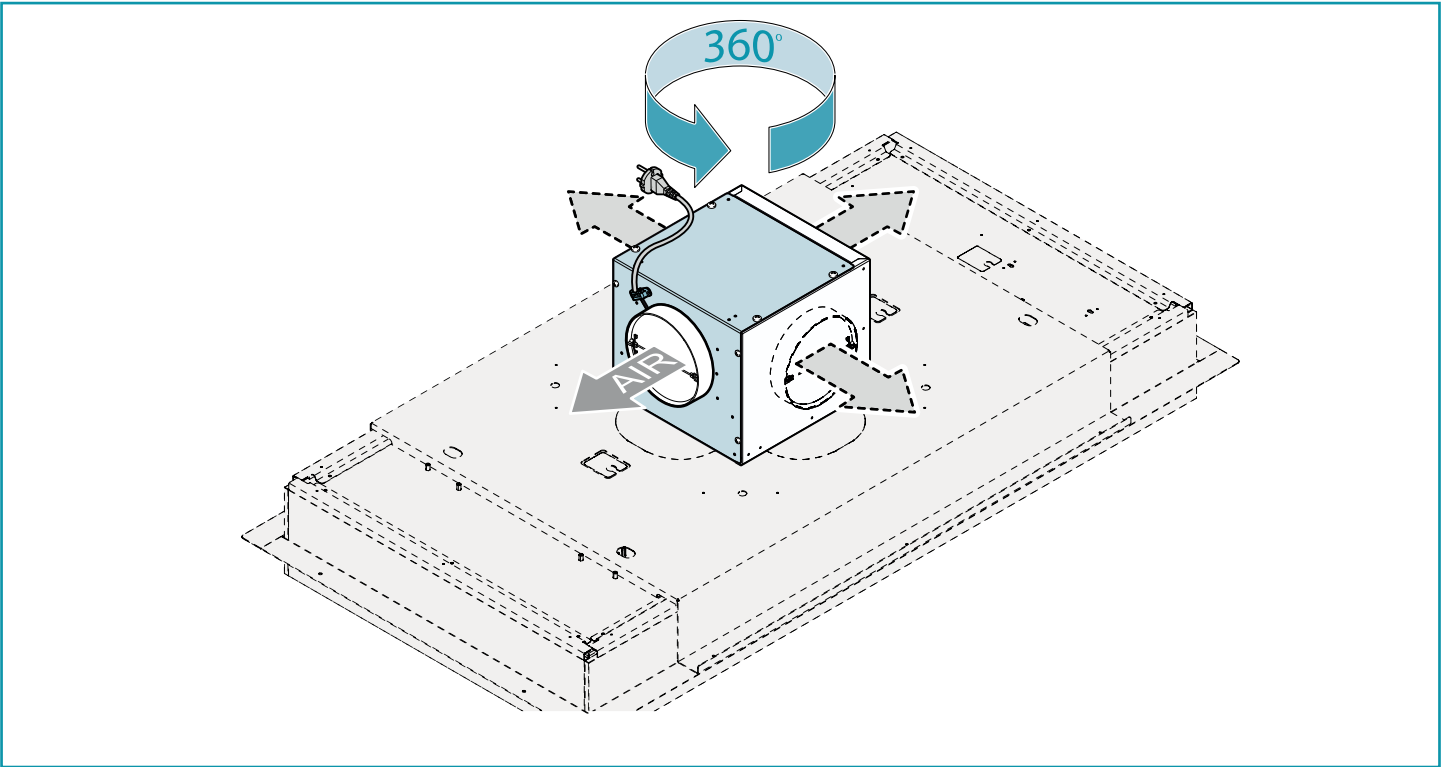


Remove the flange from the motor. If the air outlet is upward, see.

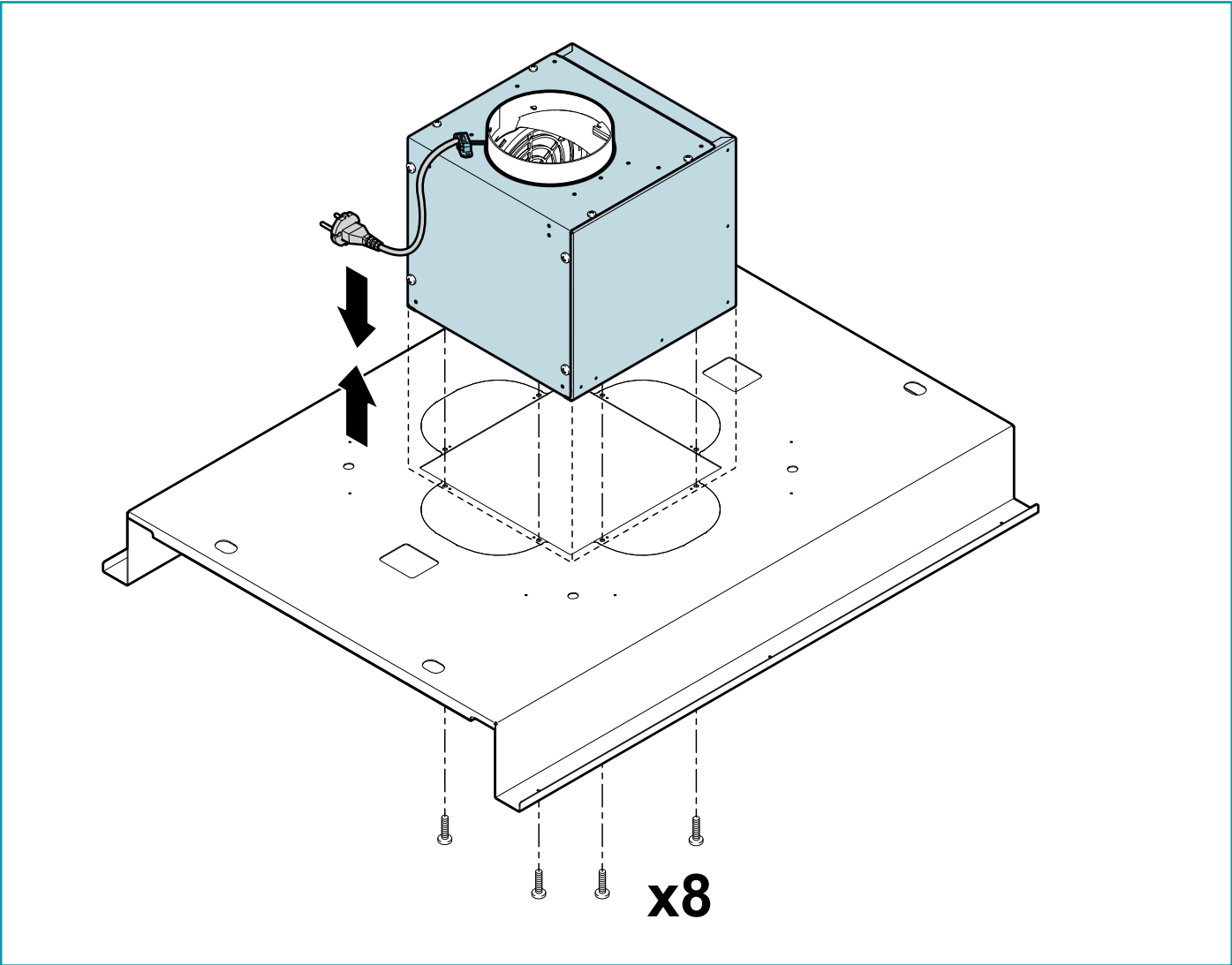


Side movement of the air exhaust

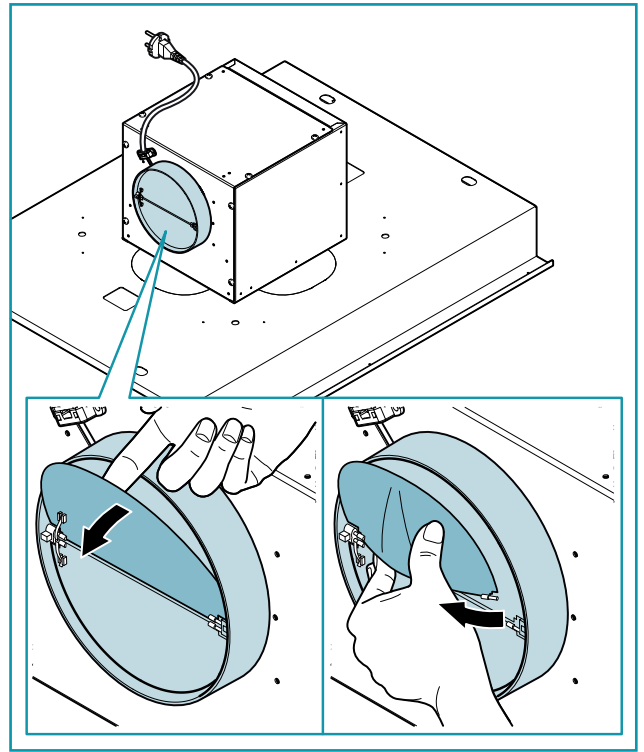




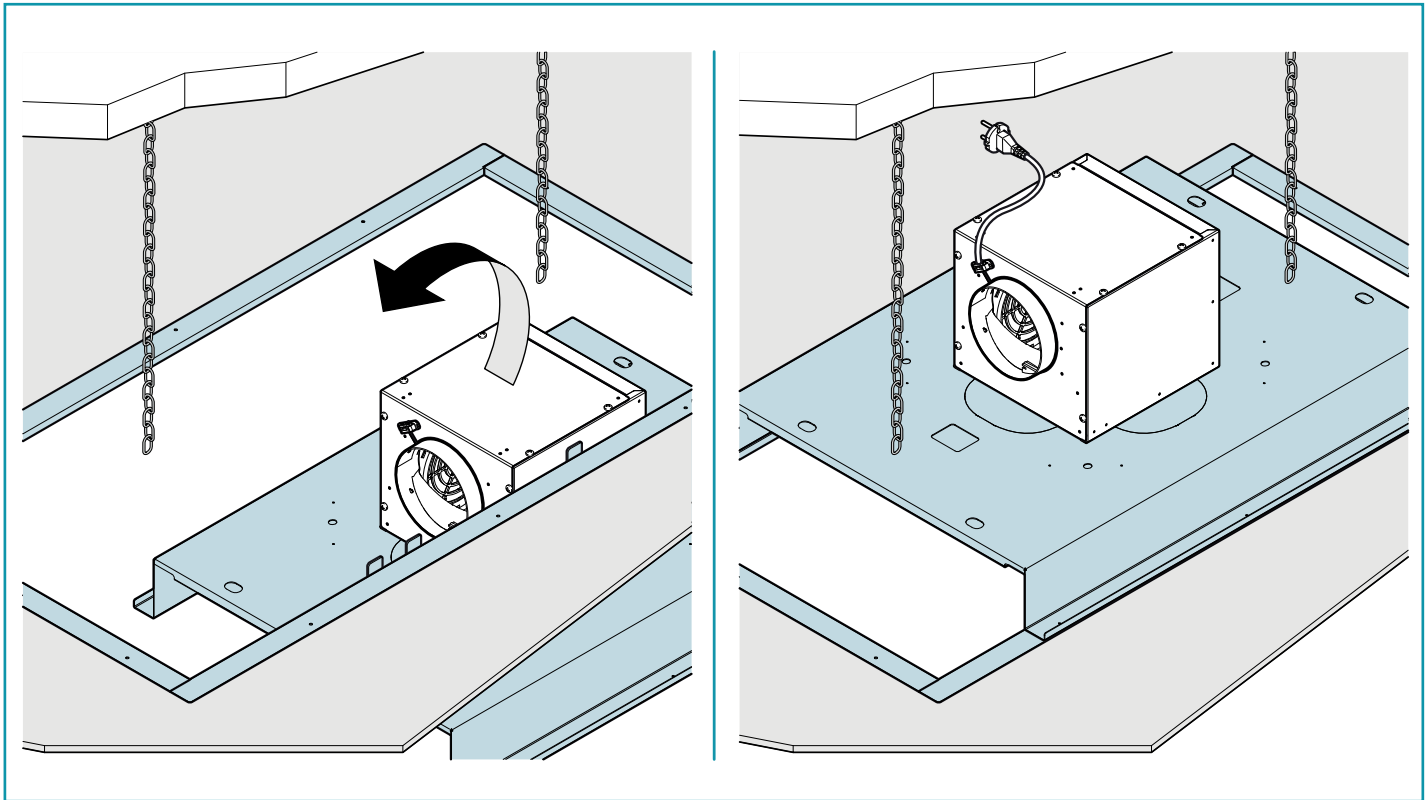
Remove the flange from the motor. If the air outlet is upward, see.



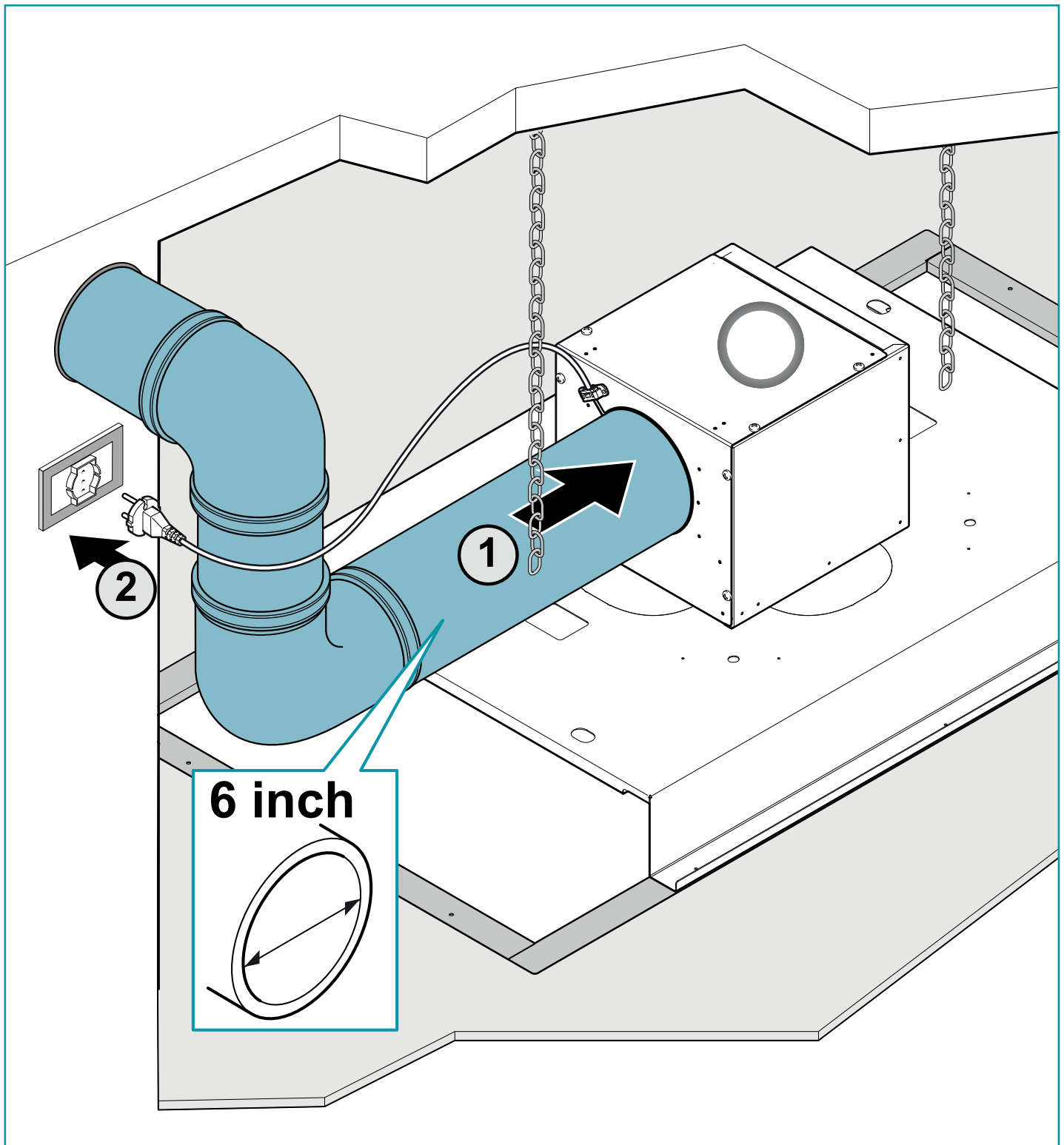
Check the presence of the check valve.
If not necessary, remove it



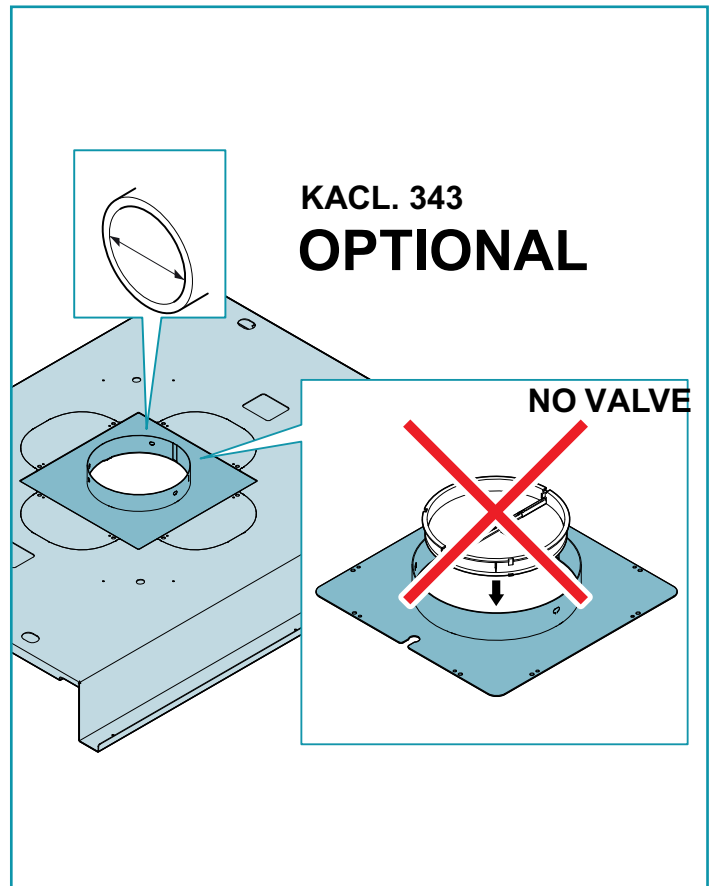
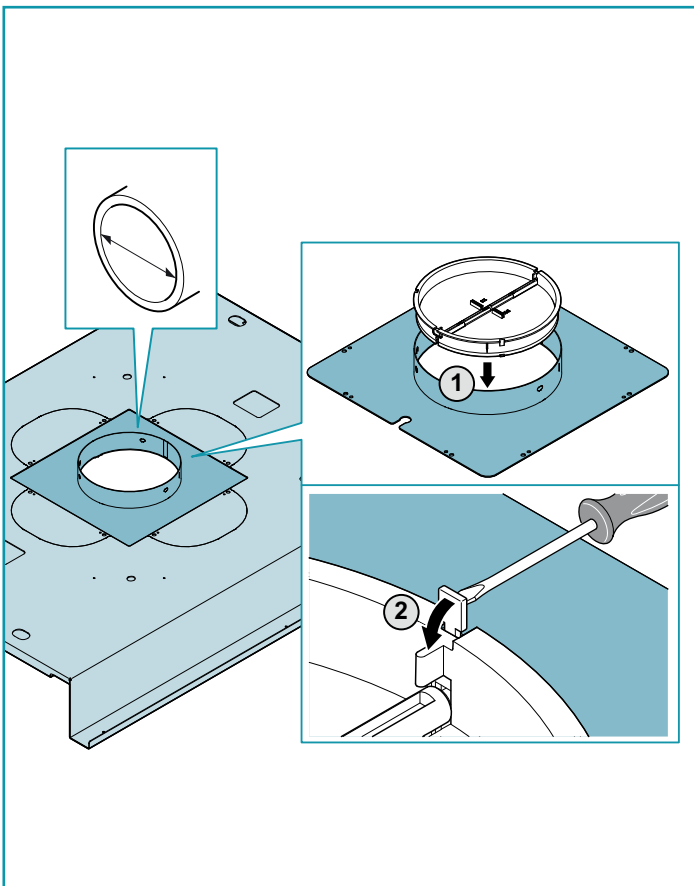
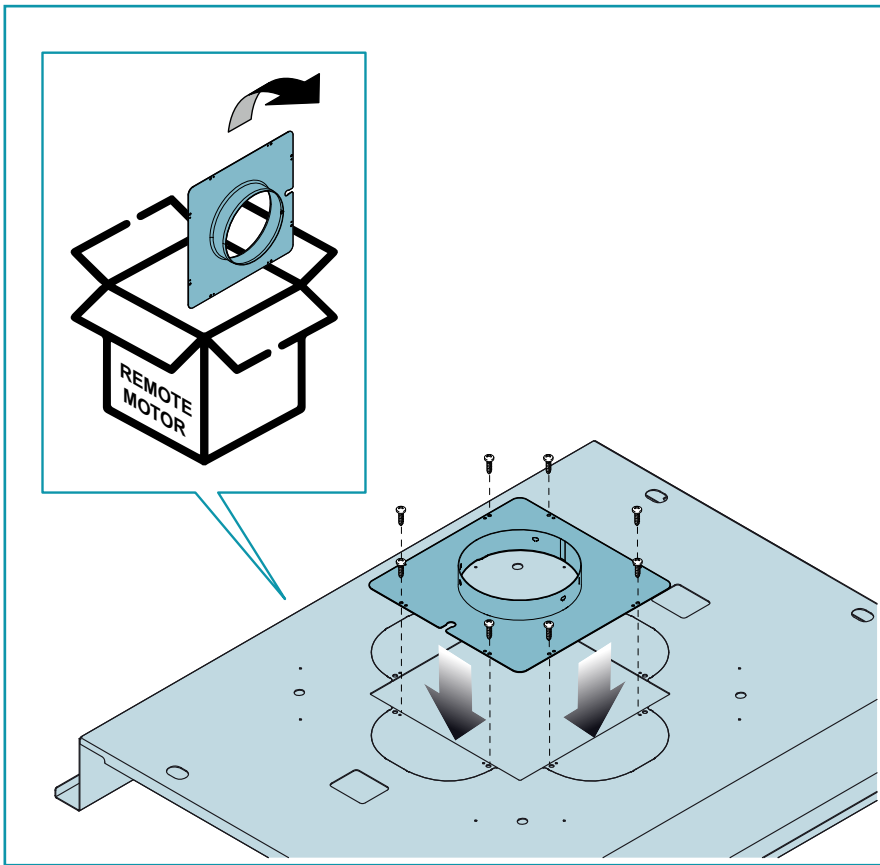
Positioning the motor on the support frame



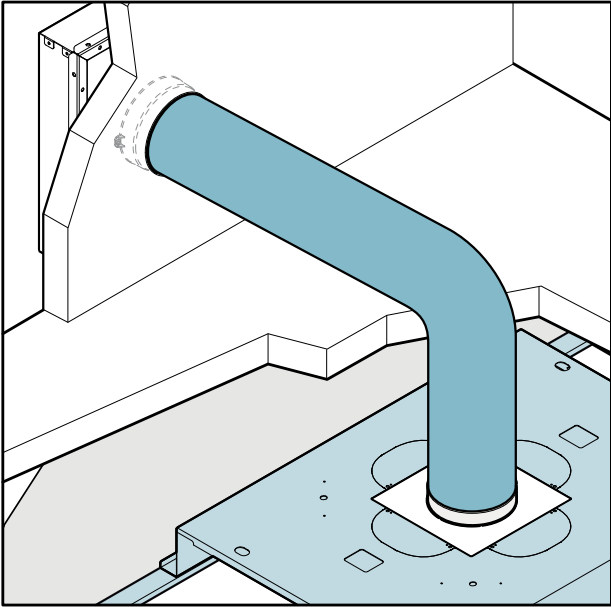
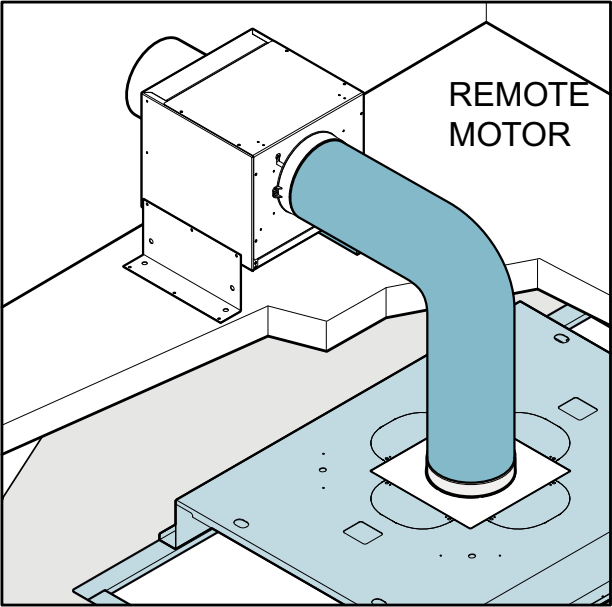
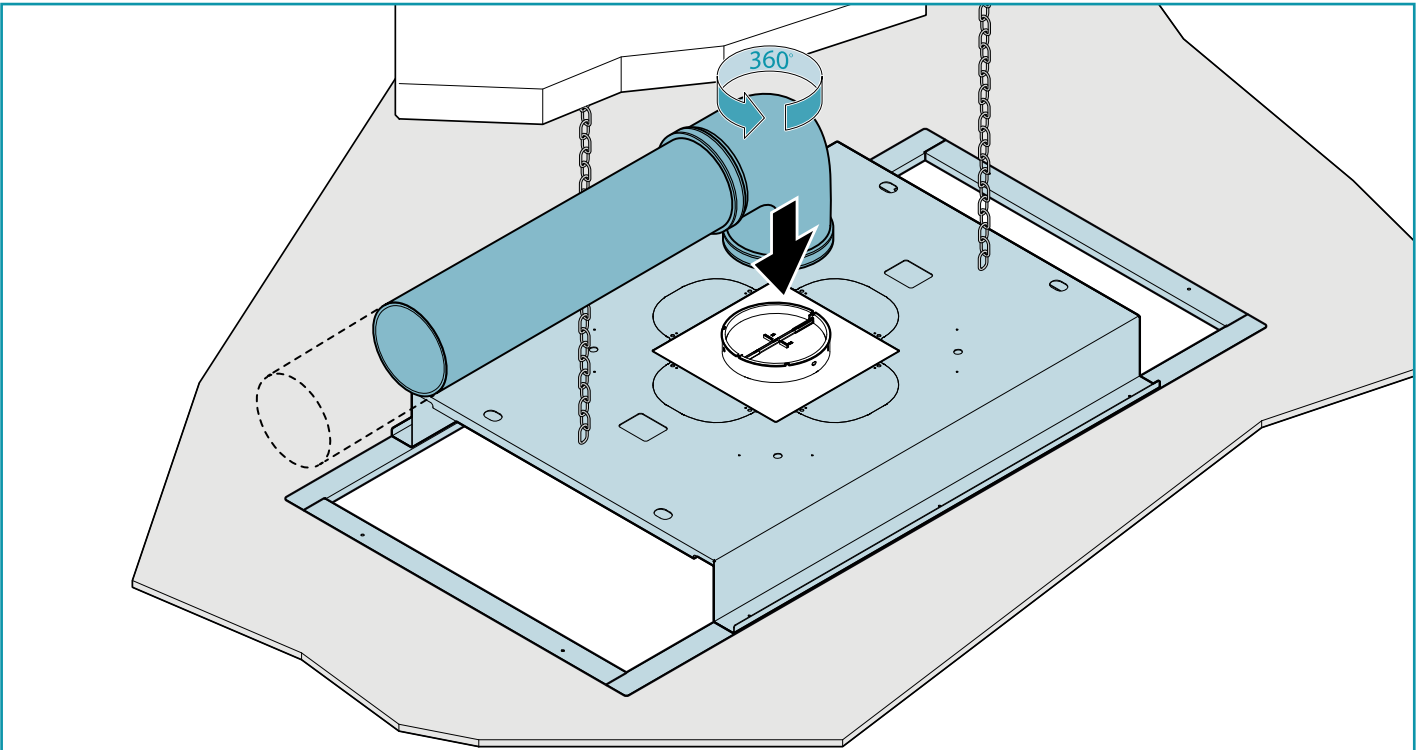
Fitting the suction pipe and electrical connection



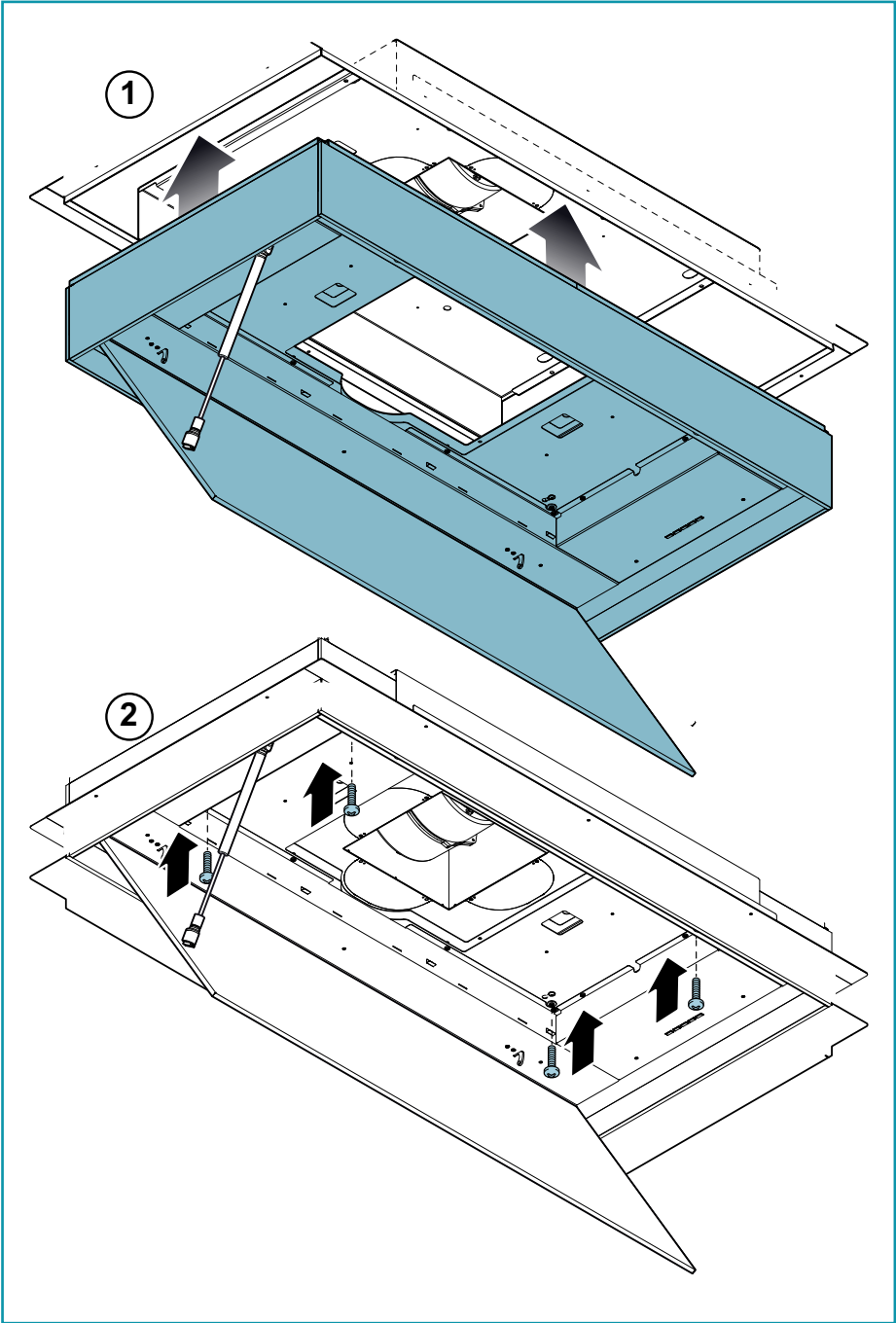
Conveyor fixing on support



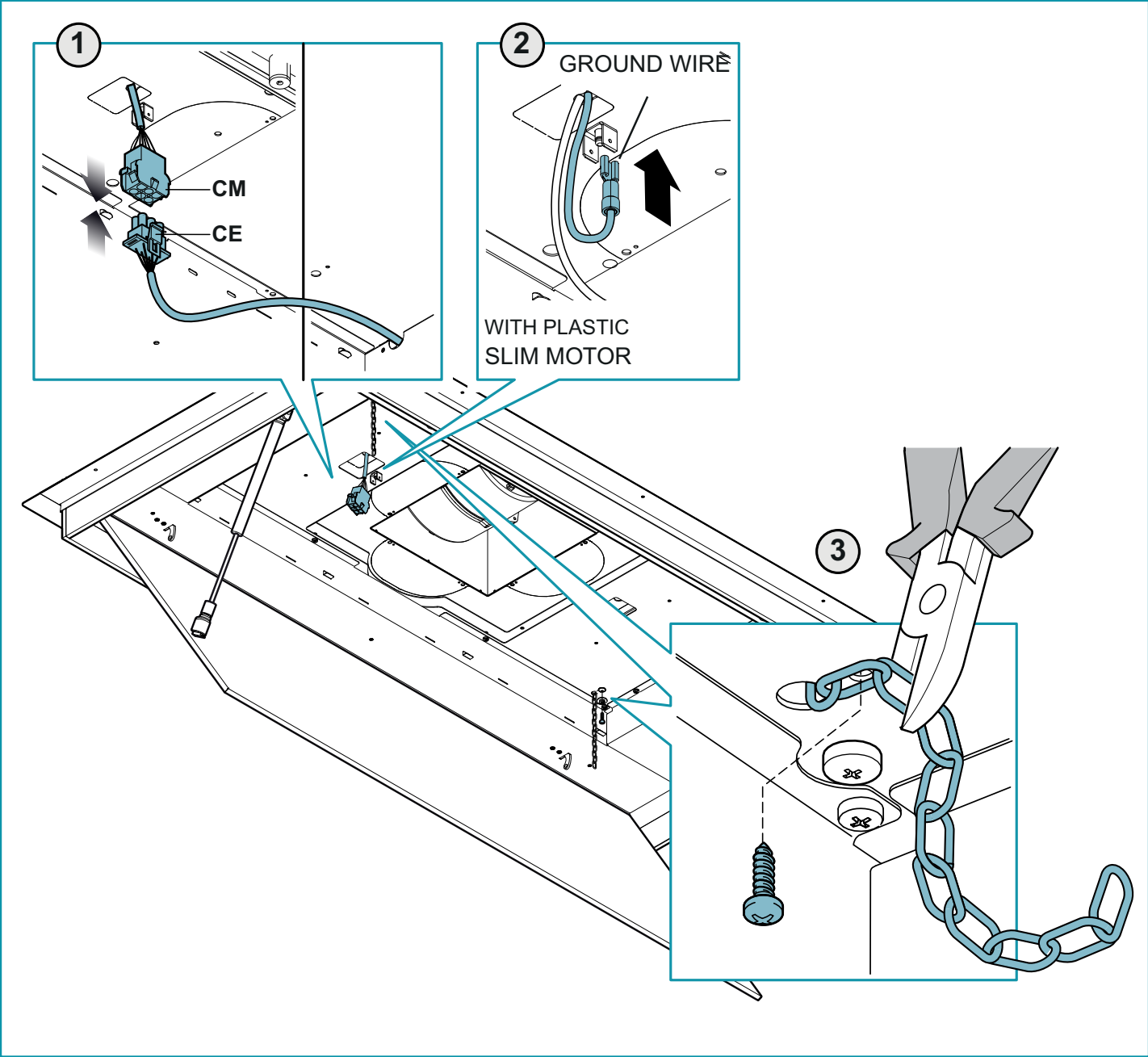
Fixing the suction pipe



Fixing the hood



Electrical connection and tensioning the safety chains



Electrical connection and tensioning the safety chains

