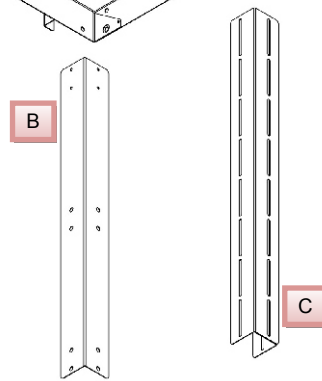
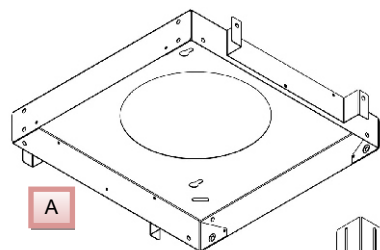
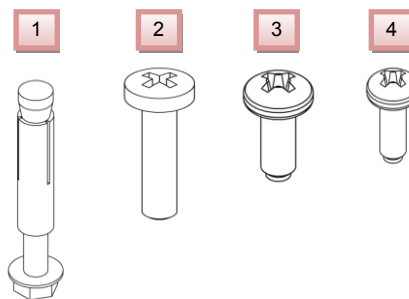
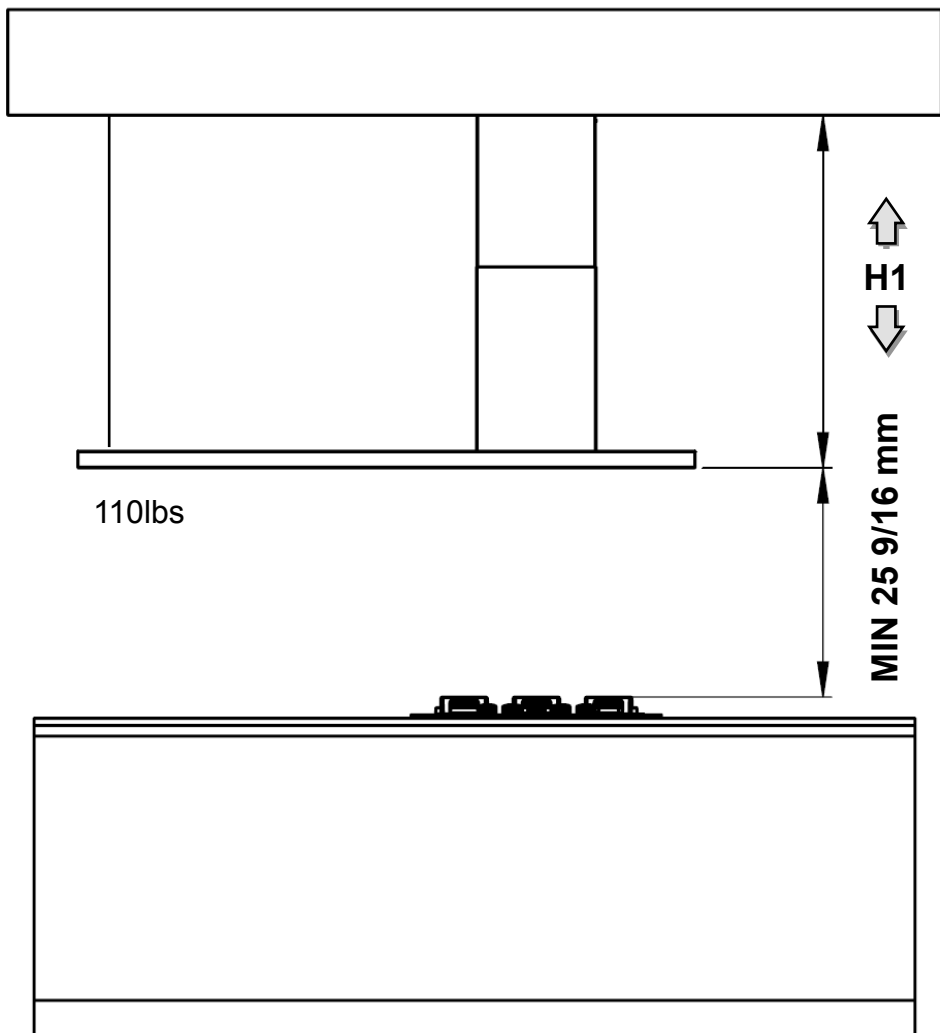
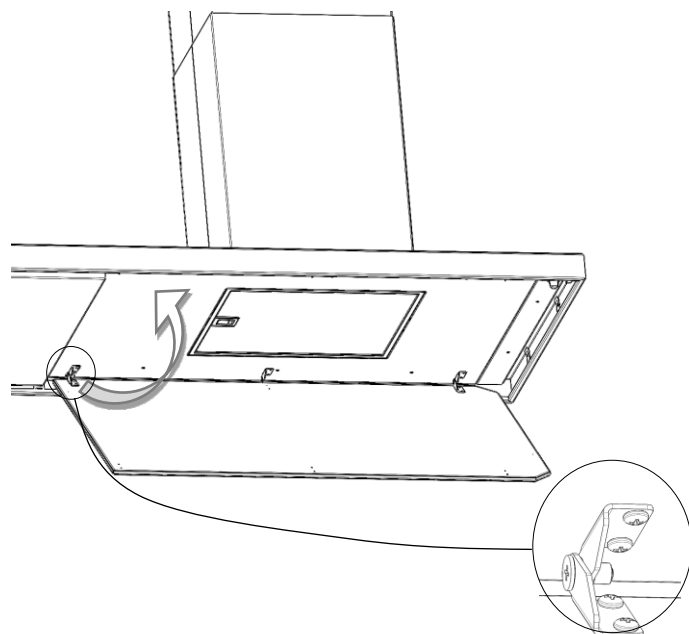


# Futuro Futuro

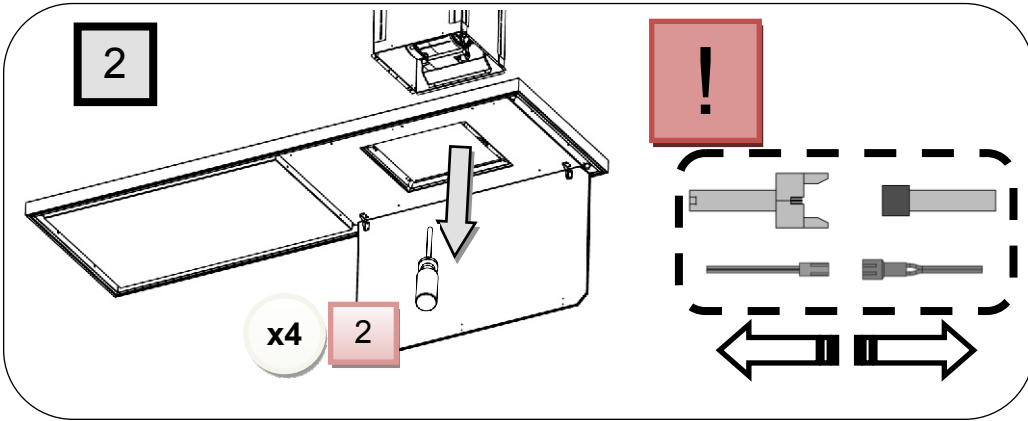
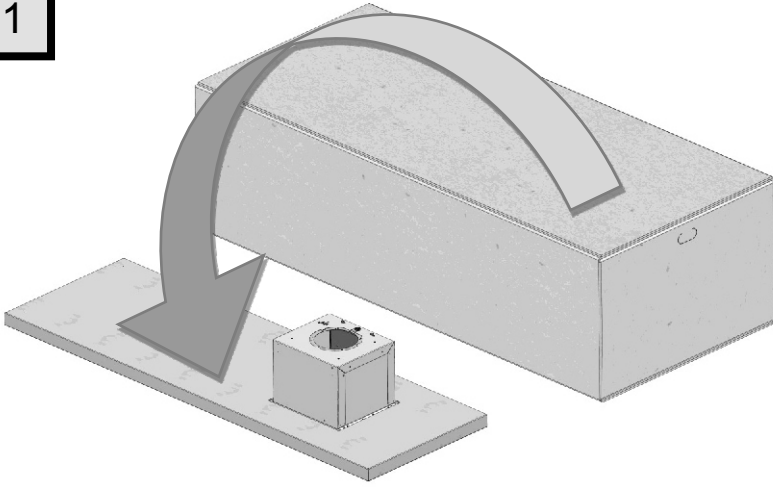
## INSTALLATION MANUAL

MODEL:  
69" TURO ISLAND

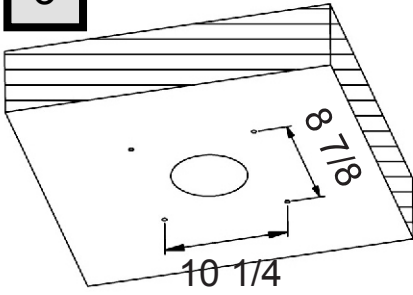


x2

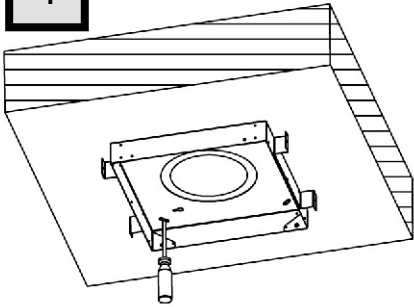
1



3

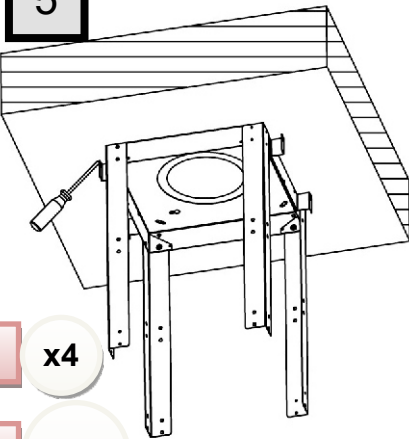


4



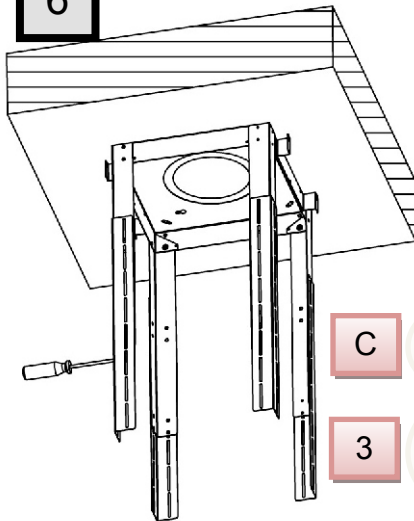
A x1  
1 x4

5



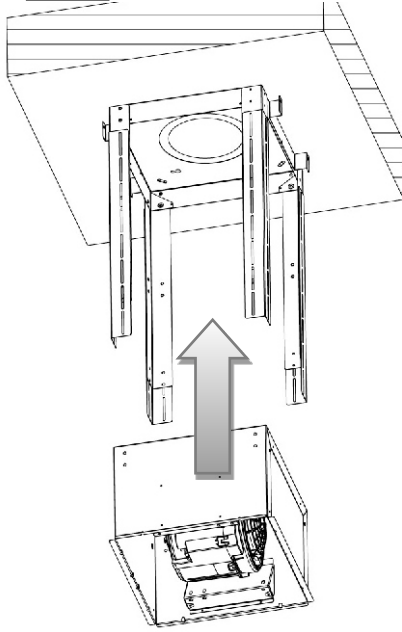
B x4  
3 x12

6

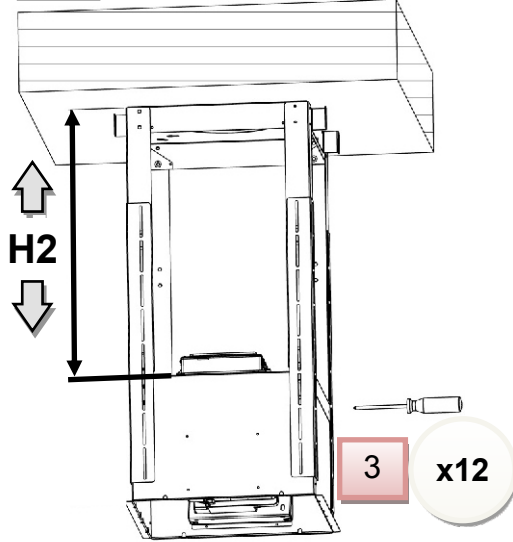


C x4  
3 x16

7

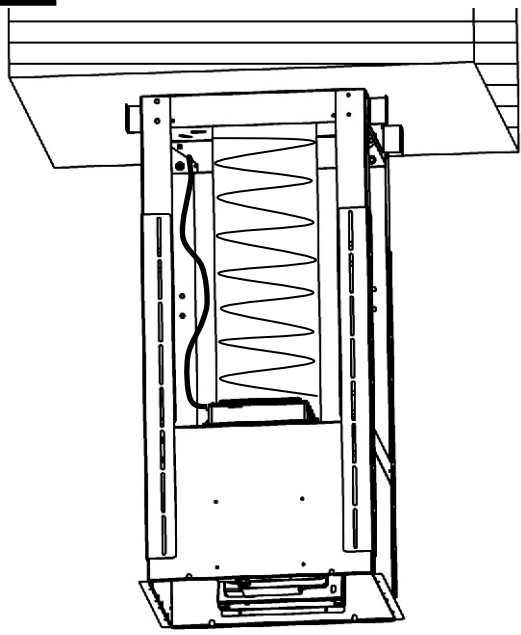


8

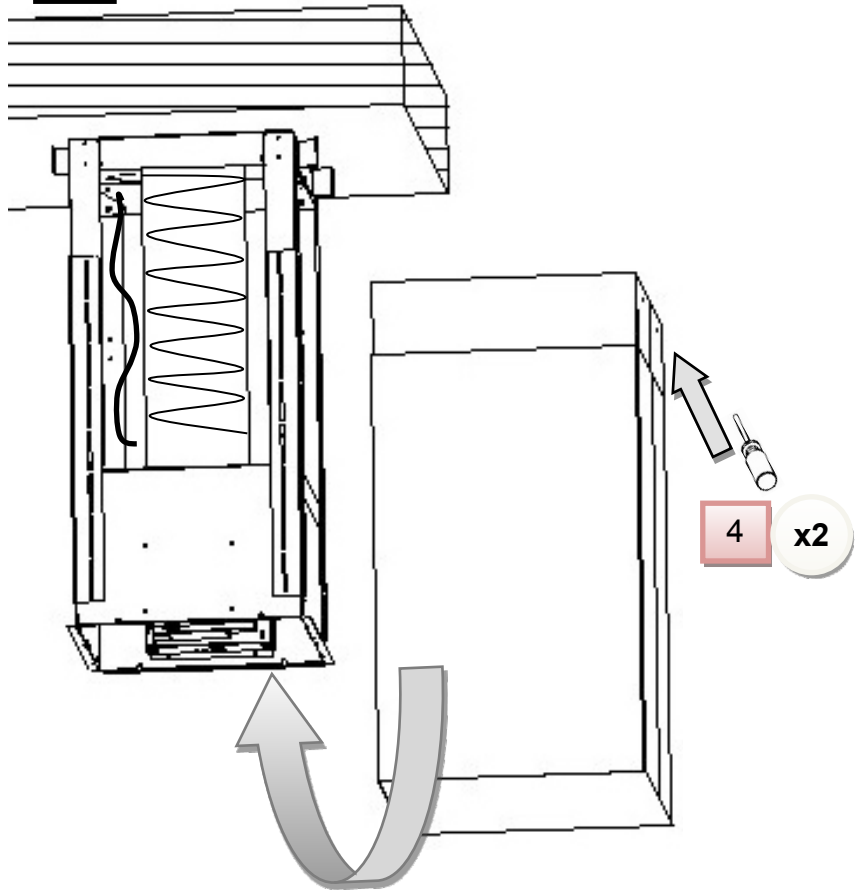


$H2 = H1 - 11 \frac{1}{8}$

9

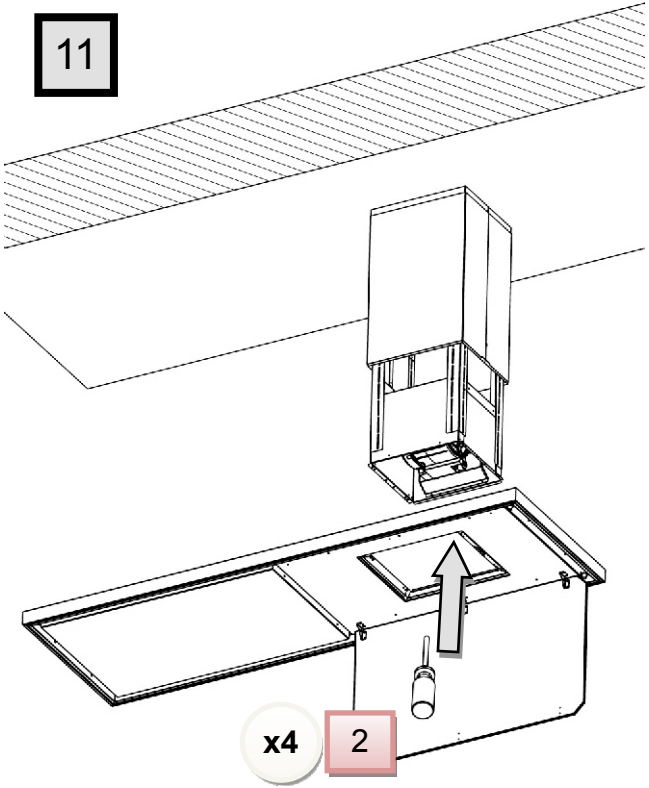


10



4 x2

11



x4 2

