

# Futuro Futuro

## 63" Hubble Glass Island



INSTALLATION, OPERATING AND MAINTENANCE GUIDE

I GENERAL.....	3
II WARNINGS .....	3
III INSTALLATION .....	4
III.1 Preliminary Indications.....	4
III.2 Secure the hood to the ceiling.....	5
III.3 Electrical Connection.....	5
IV USE.....	5
V OPERATION .....	5
V.1 Remote control operation.....	6
V.2 Delayed self-switching off.....	7
V.3 Maintenance reminder .....	7
V.4 24h Confort function .....	7
VI MAINTENANCE AND CLEANING .....	8
VI.1 Metal grease filter .....	8
VI.2 Long-Life anti-odor filter (for ductless hoods) .....	8
VI.3 Hood Cleaning .....	8
VI.4 Lighting.....	8
VII DISCONTINUATION .....	8

## I GENERAL

Installation, operating and maintenance instructions for cooker hood model HUB GLASS HOLDER.

**120V - 60HZ**

**READ AND SAVE THESE INSTRUCTIONS**

## II WARNINGS

**CAUTION: Automatically Operated Device - To Reduce The Risk Of Injury Disconnect From Power Supply Before Servicing.**

**WARNING: To Reduce The Risk Of Fire Or Electric Shock, Do Not Use This Fan With Any Solid -State Speed Control Device.**

**PAY ATTENTION TO:**

- A) THE NEED FOR FREQUENT CLEANING OF ALL GREASE FROM THE FAN AND FROM ALL OTHER GREASE-LADEN SURFACES;
- B) THE NEED FOR FREQUENT REMOVAL AND CLEANING OF ANY FILTER UNIT PROVIDED .

**WARNING: To provide protection against electric shock, connect to properly grounded outlets only.**

For Residential Use Only

**WARNING: GROUNDING INSTRUCTIONS**

This appliance must be grounded. In the event of an electrical short circuit, grounding reduces the risk of electric shock by providing an escape wire for the electric current. This appliance is equipped with a cord having a grounding wire with a grounding plug. The plug must be plugged into an outlet that is properly installed and grounded.

**WARNING - Improper grounding can result in a risk of electric shock.**

Consult a qualified electrician if the grounding instructions are not completely understood, or if doubt exists as to whether the appliance is properly grounded. Do not use an extension cord. If the power supply cord is too short, have a qualified electrician install an outlet near the appliance.

**WARNING - TO REDUCE THE RISK OF FIRE, USE ONLY METAL DUCTWORK.**

**WARNING - TO REDUCE THE RISK OF A RANGE TOP GREASE FIRE:**

- a) Never leave surface units unattended at high settings. Boilovers cause smoking and greasy spillovers that may ignite. Heat oils slowly on low or medium settings.
- b) Always turn hood ON when cooking at high heat or when flambeing food (i.e. Crepes Suzette, Cherries Jubilee, Peppercorn Beef Flambe').
- c) Clean ventilating fans frequently. Grease should not be allowed to accumulate on fan or filter.
- d) Use proper pan size. Always use cookware appropriate for the size of the surface element.

**WARNING - TO REDUCE THE RISK OF INJURY TO PERSONS IN THE EVENT OF A RANGE TOP GREASE FIRE, OBSERVE THE FOLLOWING:**

- a) SMOTHER FLAMES with a close-fitting lid, cookie sheet, or metal tray, then turn off the burner. BE CAREFUL TO PREVENT BURNS. If the flames do not go out immediately, EVACUATE AND CALL THE FIRE DEPARTMENT.
- b) NEVER PICK UP A FLAMING PAN - You may be burned.
- c) DO NOT USE WATER, including wet dishcloths or towels - a violent steam explosion will result.
- d) Use an extinguisher ONLY if:
  - 1) You know you have a Class ABC extinguisher, and you already know how to operate it.
  - 2) The fire is small and contained in the area where it started.
  - 3) The fire department is being called.
  - 4) You can fight the fire with your back to an exit.

**THE MINIMUM DISTANCE BETWEEN THE SUPPORTING SURFACE OF THE COOKING HOB AND THE LOWEST PART OF THE RANGE HOOD MUST BE NOT LESS THAN 26IN (65 CM) WITH A GAS HOB.**

## READ AND SAVE THESE INSTRUCTIONS

Keep these instructions in a safe place and pass them on to any future user. Read these instructions carefully before installing or using the range hood.

Before connecting the appliance to the power supply make sure that the voltage (V) and frequency (Hz) listed on the data plate correspond with the household electrical supply. This data must correspond to prevent appliance damage.

Installation work and repairs should only be performed by a qualified technician under all applicable codes and standards. Repairs and other work by unqualified persons could be dangerous.

In the event of a fault, please contact the Technical Service authorized to provide genuine parts. When contacting the Technical Service, please quote the model and the serial number of your appliance. These are shown on the data plate.

Ensure that power to the appliance is OFF while the appliance is not in use.

During thunderstorms switch-off the main switch of the house electrical system or if the device is equipped with a plug, simply unplug it.

Use this appliance only in the manner intended by the manufacturer and no other than exhausting cooking fumes on domestic kitchens.

The manufacturer does not accept any liability for damages caused by people, animals, or things, by installation and maintenance mistakes, or by any illegitimate use.

Observe the following essential safety instructions during the use of any electrical appliance:

- This appliance is not intended for use by persons (including children) with reduced physical, sensory or mental capabilities, or lack of experience and knowledge unless they have been given supervision or instruction concerning the use of the appliance by a person responsible for their safety. Children should be supervised to ensure that they do not play with the appliance.

- To prevent the risk of fire it is compulsory to disconnect the appliance from the power supply before cleaning or servicing the hood;

- Do not pull, take off, or twist the cable coming out from the appliance, even though this has been disconnected from the main power supply.

- Do not sprinkle or throw any water directly on the appliance.

- Do not stick any sharp tool inside the exhausting holes and into the air outlet.

- Do not take out the filters to reach the internal sides of the appliance in case the main switch of the house electrical system is not off.

- Do not flambé or grill with an open flame beneath the hood. Flames could be drawn up into the hood by the suction and the filters may ignite.

- Pay particular attention while frying. Heat oils slowly on low or medium settings.

- CAUTION: Accessible parts may become hot when used with cooking appliances.

- It is forbidden to use the hood as a support surface unless it is expressly indicated.

- Only use the fixing screws supplied with the product for installation.



**CAUTION: Accessible parts may become hot when used with cooking appliances.**

## III INSTALLATION

### III.1 Preliminary Indications

Carefully read the guide before installation and use of the appliances.

The installation requires safety equipment and a range of tools as per Fig. 3.1.1.

With the hood correctly installed, the minimum distance between the supporting surface of the cooking hob and the lowest part of the range hood must be not less than 28in - 30in for both electric and gas cooktops (Fig. 3.1.2).

If the mounting instructions of the gas hob indicate a wider distance, respect it.

It must not be superimposed on stoves with an upper radiating plate.

Respect all the air discharge regulations.

The air must not be discharged in a pipe used to discharge exhaust fumes produced by gas-fed equipment or fuel-fed equipment.

The room must be adequately ventilated when the hood is used together with other gas or fuel types of equipment.

The hood is equipped with all the necessary fastenings for its installation, which are suitable for most surfaces.

Verify that the installation surface is strong.

Installation must be carried out by qualified installers according to present regulations.

## III.2 Secure the hood to the ceiling

The device (Fig. 3.2.1) is composed of the following elements:

- 1) Hood unit
- 2) Anchoring ropes

All fixtures are provided with the cookerhood.

Proceed as follows to install the hood:



- 1) Draw and drill the ceiling as shown in Fig. 3.2.2
- 2) Lock the bushings with screws and dowels (Fig. 3.2.3-A)
- 3) Insert the wire rope on the appropriate support (Fig. 3.2.3-B)
- 4) Screw the ceiling supports onto the bushings (Fig. 3.2.4)
- 5) Insert the cover before positioning the hood (Fig. 3.2.5-A)
- 6) Place the hood at the desired height
- 7) Cut the exceeding wire rope (Fig. 3.2.6-A)
- 8) Lower the covers (Fig. 3.2.6-B)
- 9) Connect to the mains using the special ceiling canopy plate (Fig. 3.2.6-C)

## III.3 Electrical Connection

The electrical connection must be carried out **ONLY** by qualified technicians.

The electrical protection of the electrical connection upstream of the equipment must comply with the regulations in force. Any change to the electrical installation necessary to install the hood should only be undertaken by qualified staff.

After installation, insulated parts and those carrying electricity must be protected from any possible contact.

	<b>Caution!</b> If the electrical connection is carried out incorrectly or not meeting the regulations, it may damage part of the appliance and the warranty will not be valid.
	<b>Warning!</b> Before making the electrical connection, turn the main switch of the domestic system to "off".

**These appliances must be earthed.**

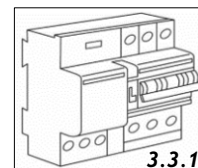
The appliance is supplied without plug and must be connected to the electrical system with a voltage of 120V and a frequency of 60Hz.

One type of connection to the electrical network is possible:

Stable connection to the network by interposing a bipolar switch to ensure disconnection from the network, with a contact opening distance allowing complete disconnection under the conditions of the overvoltage category III, by the installation rules (Fig. 3.3.1.).

**Earth connection (yellow-green wire) should not be interrupted.**

If the power cord is damaged, it must be replaced by the manufacturer or its authorized service center or by a qualified technician, to prevent any risk.



## IV USE

This hood has been designed to work exclusively in filtering mode.

**Filtering mode** (ductless, Fig. 4.1). The cooking fumes pass through the Long-Life anti-odor filters (supplied with the hood, Fig. 6.2.1-B) to be purified and recycled into the kitchen. The use of anti-odor filters reduces the performance of the hood.

## V OPERATION

The hood is supplied with a multispeed blower. The hood should be run at low speed under normal conditions and at higher speeds only when there is a heavy build-up of fumes or odours. Ideally, the hood should be switched on as soon as cooking is started and then kept on until all odours have been eliminated.

## V.1 Operation of the hood controls

The following keys (Fig. 5.1.1) are present on the hood controls:

TL: light on/off and light temperature adjustment.

T1: switch-on at first speed and extractor off.

T2-T3-4: ventilation at 2nd, 3rd and 4th speed respectively.

TR: 24h Comfort Function

### Light adjustment:

TL single click: on/off at the stored brightness and temperature.

TL double click when off: minimum brightness (10% brightness, ambient light).

TL long press (for more than 1 second) when on: brightness adjustment:

- Start from stored setting, DOWN ---> UP adjustment, if not released, the maximum brightness is set
- With another long press, the UP ---> DOWN adjustment goes to minimum brightness
- When the button is released, both at maximum/minimum and during adjustment, the desired intensity is stored for the next switch-on

TL+TR when light on: colour temperature adjustment (same steps as brightness adjustment)

## V.2 Remote control operation

### Remote control pairing

The hoods come paired to the remote control they ship with.

If the remote control is replaced, it is necessary to carry out a new pairing.

After powering on, all the LEDs in the hood will light on scrolling (Fig. 5.1.1). Within 10 seconds, hold down any key on the remote control until an acoustic notification signals the positive outcome of the procedure.

When the LEDs go off, programming is finished and it will no longer be possible to program the remote control.

### Remote control operation

For the remote control buttons, refer to Fig. 5.2.1.

■ On-Off blower.

The blower always starts in 2nd speed.

If pressed for a long time, the 24h comfort function is activated which can be interrupted by pressing ■ button, the hood will also switch off.

▲ On lighting.

Single click allow to switch from the maximum to the maximum brightness.

Held click (with the lights on) allows to dim the light.

▼ Off lighting.

Held click (with the lights on) allows to tune the light.

⊕ While the blower is on, single click to increase the speed up to the fourth.

Held click (with the blower off) allows the reset of the timer for the grease and anti-odour filters, an acoustic signal confirms the reset.

— With the blower is on, single click to decrease the speed down to the first.

Held click (with the blower on) allows the time delay shut-off (the blower switches to first speed and switches off after 15 minutes). The time delay shut-off is deactivated by switching off the blower with the button ■ .

## V. 3 Time delay shut-off

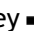
This function allows to programme the delayed switch-off of the hood after cooking.

While the hood is operating, choose the desired speed, then hold down the T2+T3 key for a few seconds until all the LEDs start flashing (T1,T2,T3,T4). Single press of one of the keys (T1,T2,T3,T4) allows to program the self switch-off time, according to the following:

T1 = 5 minutes; T2 = 10 minutes; T3 = 15 minutes; T4 = 20 minutes.

During operation with self switch-off, it is possible to change the pre-set speed (including the intensive speed). If the choice of switch-off time corresponds to the set speed, the speed LED flashes; if the choice is different, the speed LED remains fixed.

To deactivate the automatic switch-off, the hood must be switched off.


To manage this function through remote control, the automatic shut-off is preset at 15 minutes and at the first speed. After 15 minutes, the blower and the lighting switch off automatically. To activate it, held click the key  while the hood is on at any speed.

## V. 4 Maintenance reminder

### **Metal anti-grease filters**

Every 30 hours of operation of the hood, when it is switched off, all the hood speed button LEDs light up with a fixed light for 30 seconds to alert the necessary cleaning of the metal grease filter. To reset the timer simply press and hold the T4 button with the fan off. If the timer is not reset, all the LEDs will light up again each time the hood is switched off again.


To set the timer to zero through the remote control:

Keep the button  pressed with the aspirator switched off, otherwise the timer will remain set on 30-hour functioning and the reminder will appear when the hood is switched off again.

### **Long-Life anti-odor filter (for ductless hoods)**

Every 120 hours of operation of the hood, when it is switched off, all the hood speed button LEDs light up with a flashing light for 30 seconds as a reminder of the regeneration of the Long-Life filter and the cleaning of the metal anti-grease filters. To reset the timer, simply hold the T4 key down with the blower off, otherwise, the alarm will appear again the next time the hood is switched off.

To set the timer to zero through the remote control:



Keep the button  pressed with the aspirator switched off, otherwise the timer will remain set on 30-hour functioning and the reminder will appear when the hood is switched off again.

## V. 5 24h Comfort function

This function allows the continuous air renewal in your kitchen when the hob and the range hood are not being used. Air extraction cycles are activated at programmed time intervals: 5 min ON - 25 min OFF. These timed cycles clean the air of any lingering odours as cigarette smoke, detergents and stagnant and stuffy smells. This function is easy to activate and deactivate when required or can be left on for 24 hours.

TR key activates the 24h Comfort function that remains active for a maximum of 24 hours. The blower turns on at first speed for 5 minutes, then turns off automatically and repeats the function every 25 minutes.

During aspiration, the TR key flashes every 1 second while in the interval of 25 minutes it flashes every 5 seconds. The function can be deactivated at any time by pressing the TR key.

To activate this function through the remote control, held click  ; to deactivate it, click  and the hood will also switch off.

## VI MAINTENANCE AND CLEANING



**Warning!** Before any maintenance or cleaning operation, disconnect the hood from the power supply by setting the main switch of the domestic system to "off".

### VI.1 Metal grease filter

Particular attention should be paid to the metal grease filter, which has the function of retaining the fat particles contained in the vapors. The grease filter must be washed when the warning appears or at least once a month, use hot water and detergent (or put it in the dishwasher). The filter may become discolored after a few washes. This is normal and does not mean that it needs to be replaced.

To remove the metal grease filter, use the handle on the filter itself (Fig. 6.1.1). It is recommended to refit the metal grease filter only if perfectly dry.



**ATTENTION:** the grease collected in the filters can easily catch fire and it is therefore extremely important to clean the metallic filters regularly as per instructions

### VI.2 Long-Life anti-odor filter (for filtering hoods)

The Long-Life anti-odor filter, where present, captures all the odors present in the cooking fumes, guaranteeing pure air in your kitchen. It does not have to be replaced frequently like an ordinary activated charcoal filter, it can be washed and regenerated in according to the frequency of use of the hood.

The Long-Life anti-odor filter can be hand washed with hot water and also dried in the oven at temperatures not exceeding 50/60°C - 120/140°F for no more than 15 minutes, thus allowing for quick drying; air-drying is also recommended, lay the filter and cover it with a clean cloth away from dust. Do not place the filter near a fan or a heat vent.

The Long-Life anti-odor filter can be dishwashed with a quick program with no detergents and dishes (to avoid the presence of grease) at a temperature no higher than 60/65°C - 140/149°F, for 6/7 minutes.

For drying in the oven or air-drying, cover with a clean non pilling cloth to prevent dust from settling. Drying should never be done with artificial air flows.

To keep its efficiency high, it is recommended to replace the Long -Life filter after 8/9 regeneration cycles.

To replace the Long-Life anti-odor filter simply remove the cover (Fig. 6.2.1-A) and the frame enclosing the anti-odor filter (Fig. 6.2.1-B). Take the frame including the Long Life anti-odour filter and regenerate it (Fig. 6.2.1-B). The filter must be requested to the local dealer. To install a new Long-Life anti-odor filter repeat the above operations in reverse. The cover should not be washed in the dishwasher but cleaned with a moistened cloth with hot water and a small quantity of neutral detergent.

### VI.3 Hood Cleaning

The hood must be cleaned immediately after installation and removal of the protective film to eliminate any residual adhesive or other impurities. The hood must be cleaned frequently both internally and externally (at least once a month). Do not allow dirt to accumulate on the surfaces of the hood.

Do not use acid or basic products or abrasive sponges to clean the external parts of the hood. Clean the hood with a sponge moistened with hot water and a small quantity of neutral soap (for example dish soap) to eliminate any grease particles that may have deposited.

Rinse with a damp cloth, carefully remove all the soap, following the direction of the satin finish of the steel surface. Drying is particularly important, especially in areas where the water is very hard and leaves limescale deposits.

### VI.4 Lighting

The hood is equipped with LED lighting which, in addition to offering excellent lighting and limited energy consumption, guarantee a considerable duration over time. Both the brightness and temperature of the hood's LED lighting be adjusted (see the OPERATION section).

## VII DISCONTINUATION

The discontinuation means the definitive shutdown and disassembly of the appliance.

After discontinuation, the appliance can be installed on another piece of furniture, privately resold, or disposed of.



**Caution!** For discontinuation, it is necessary to switch the appliance off and disconnect the power

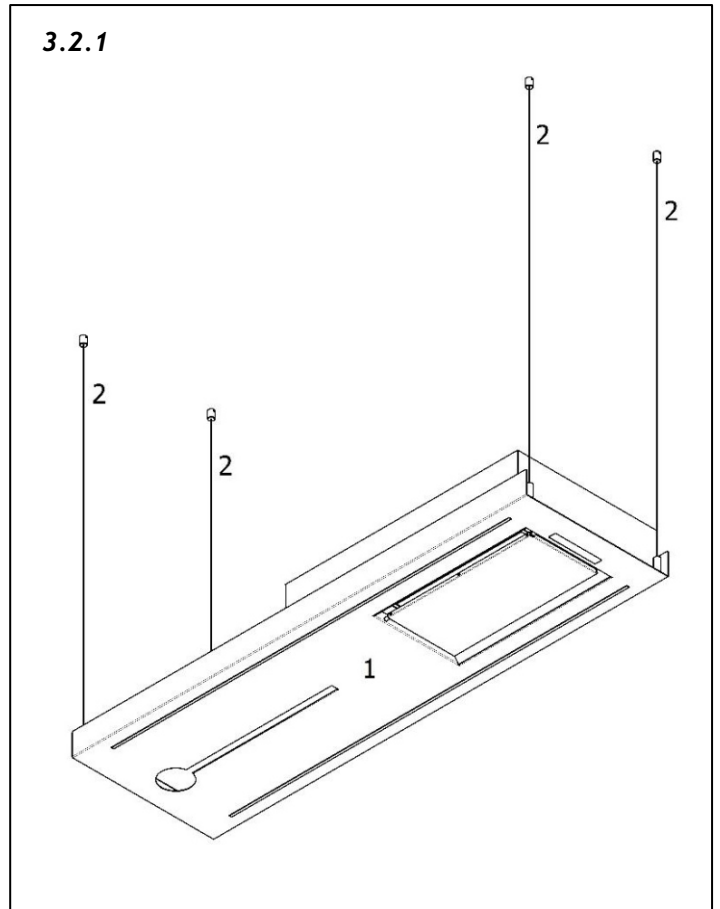
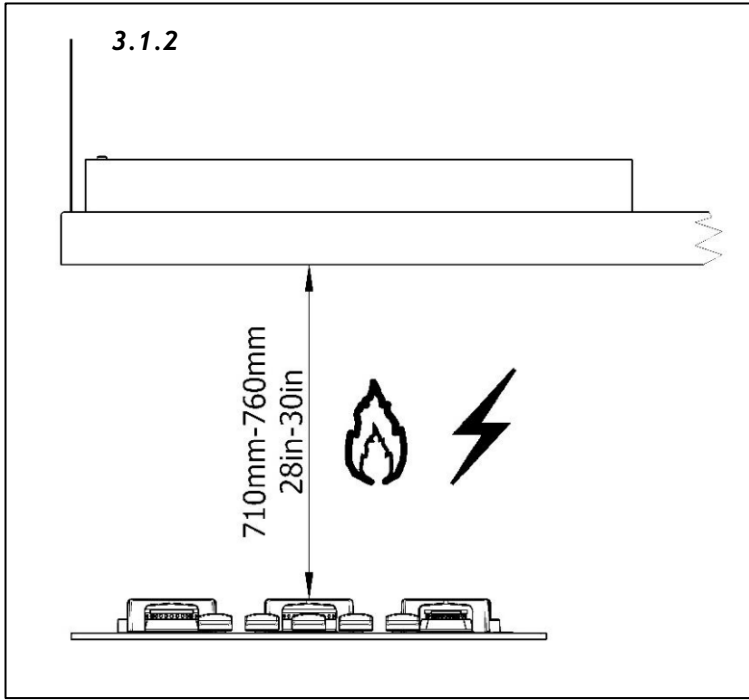
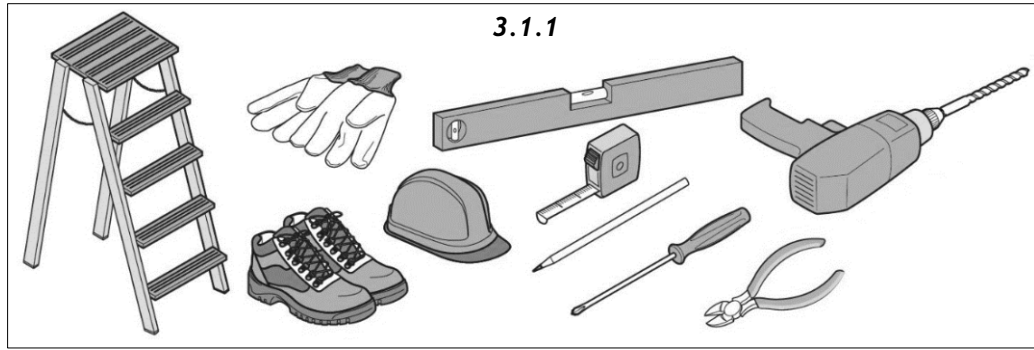
Disassembly requires that the device is accessible and has been disconnected from the power supply.

To do this, follow the installation instructions in reverse order.



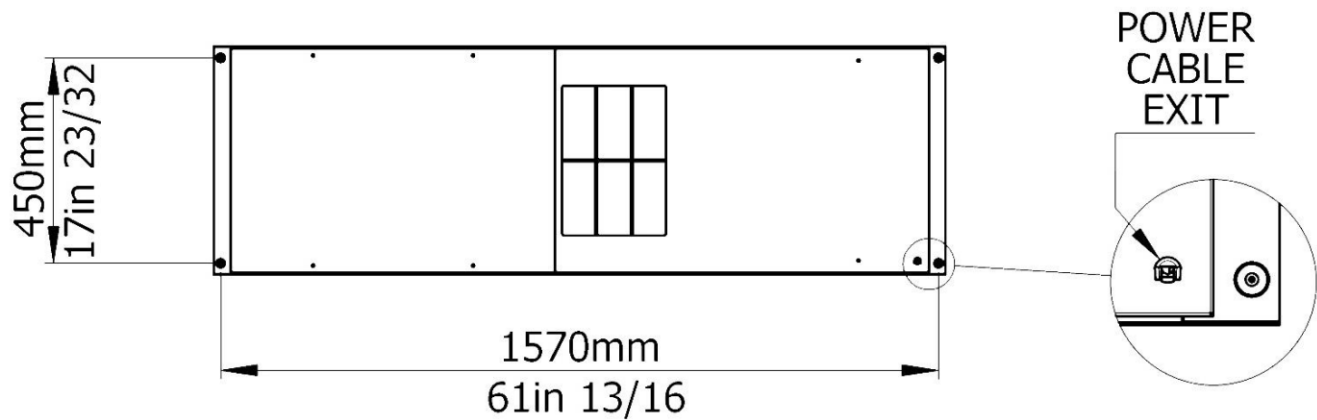
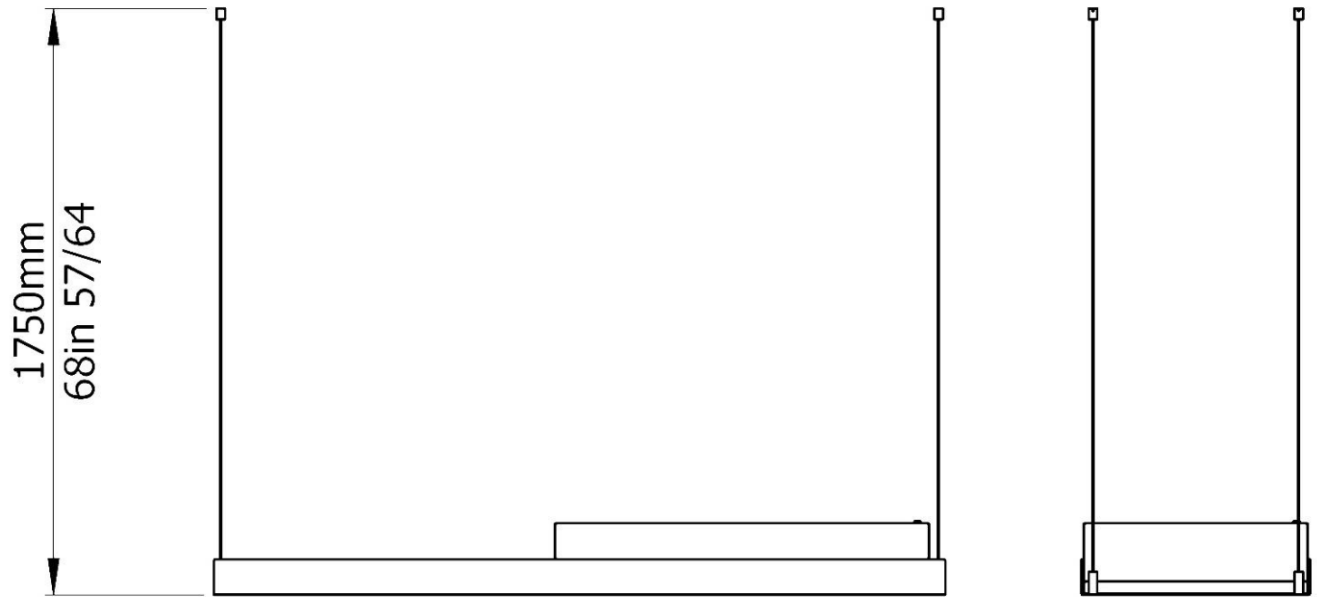
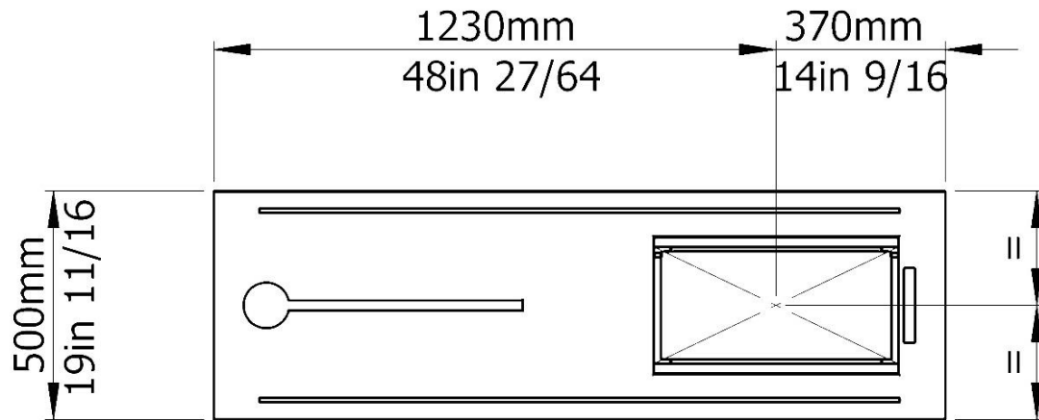
# Futuro Futuro

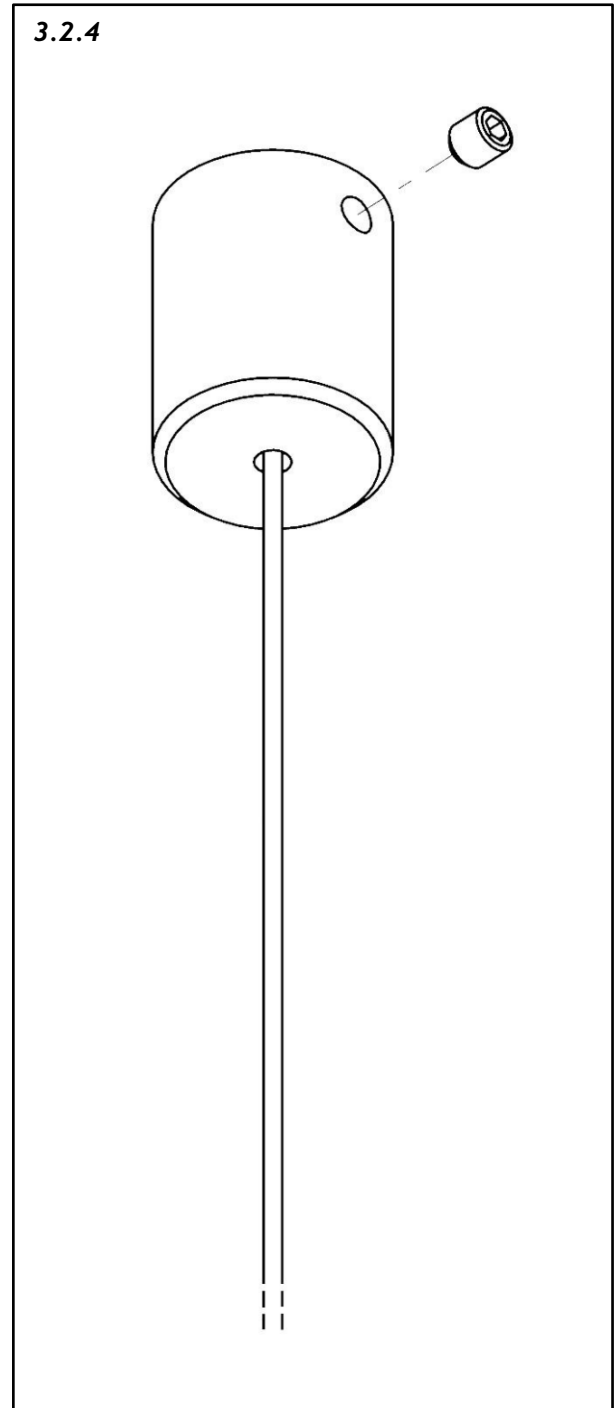
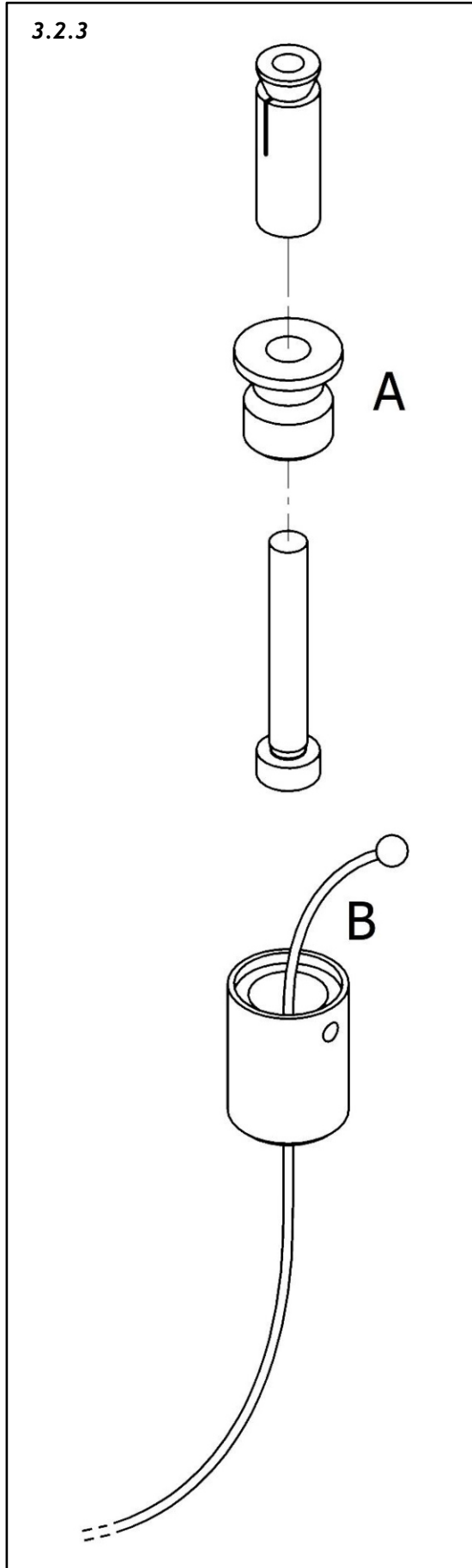
3.1.

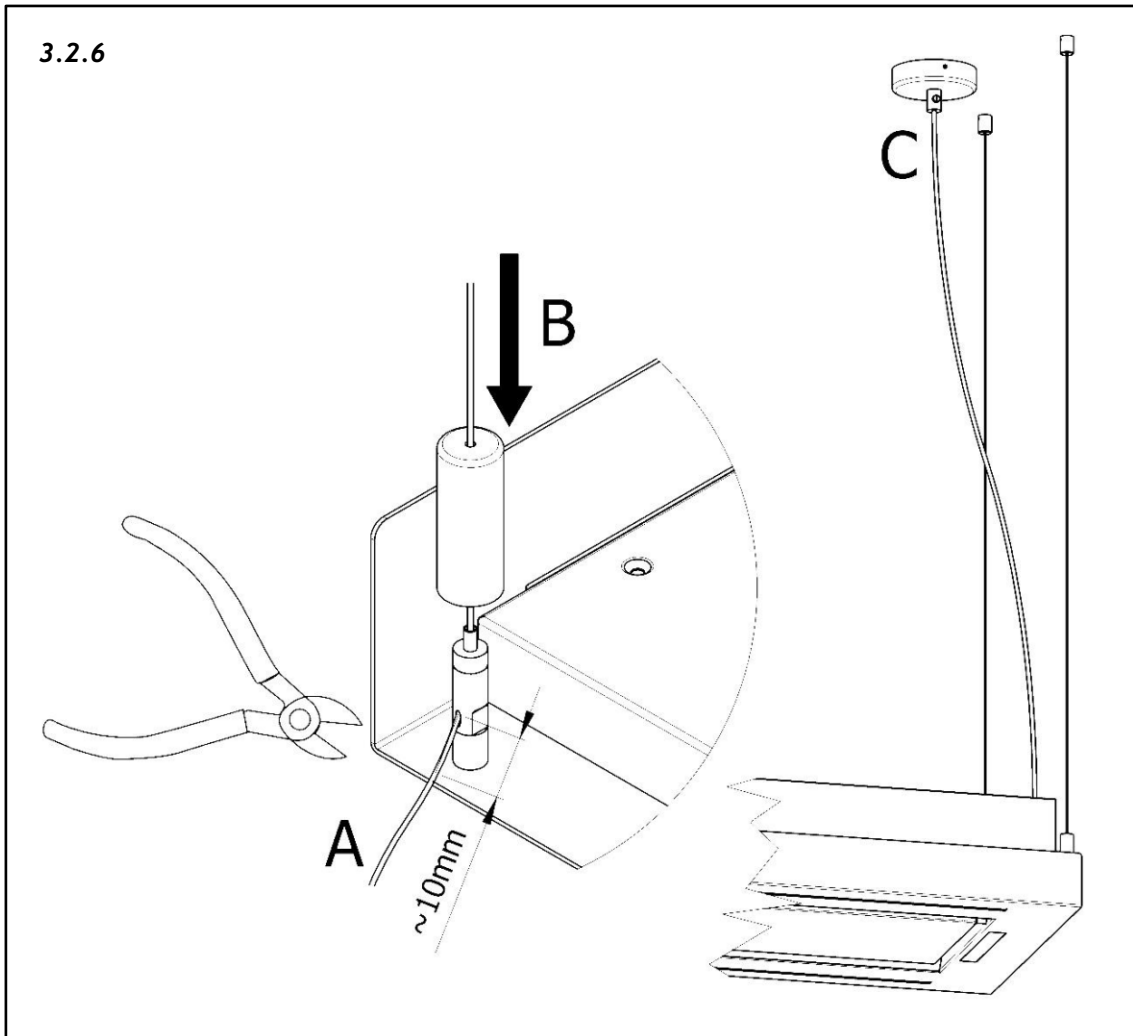
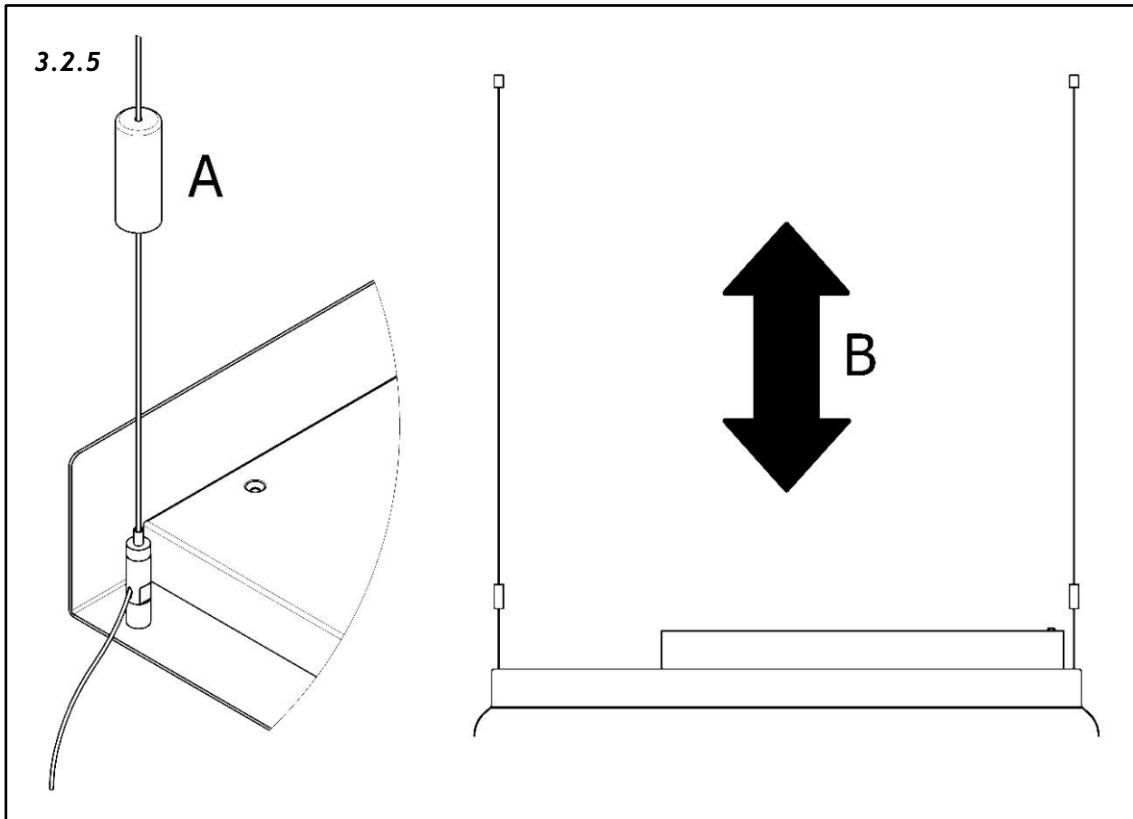


# Futuro Futuro

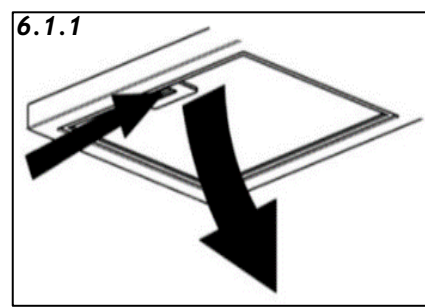
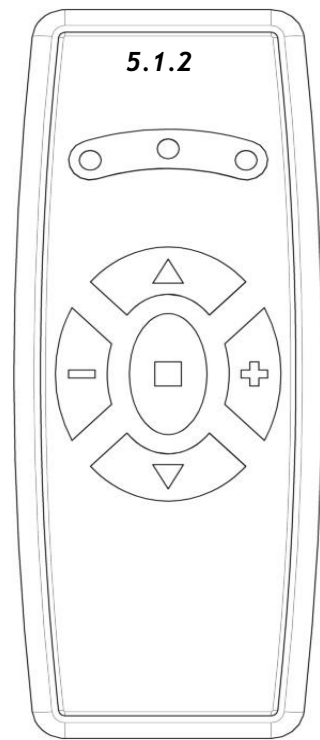
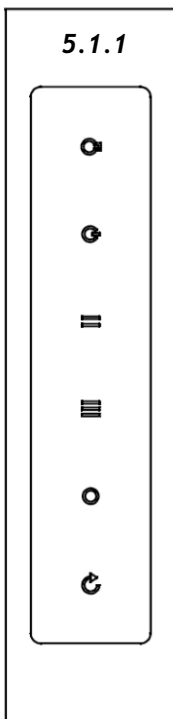
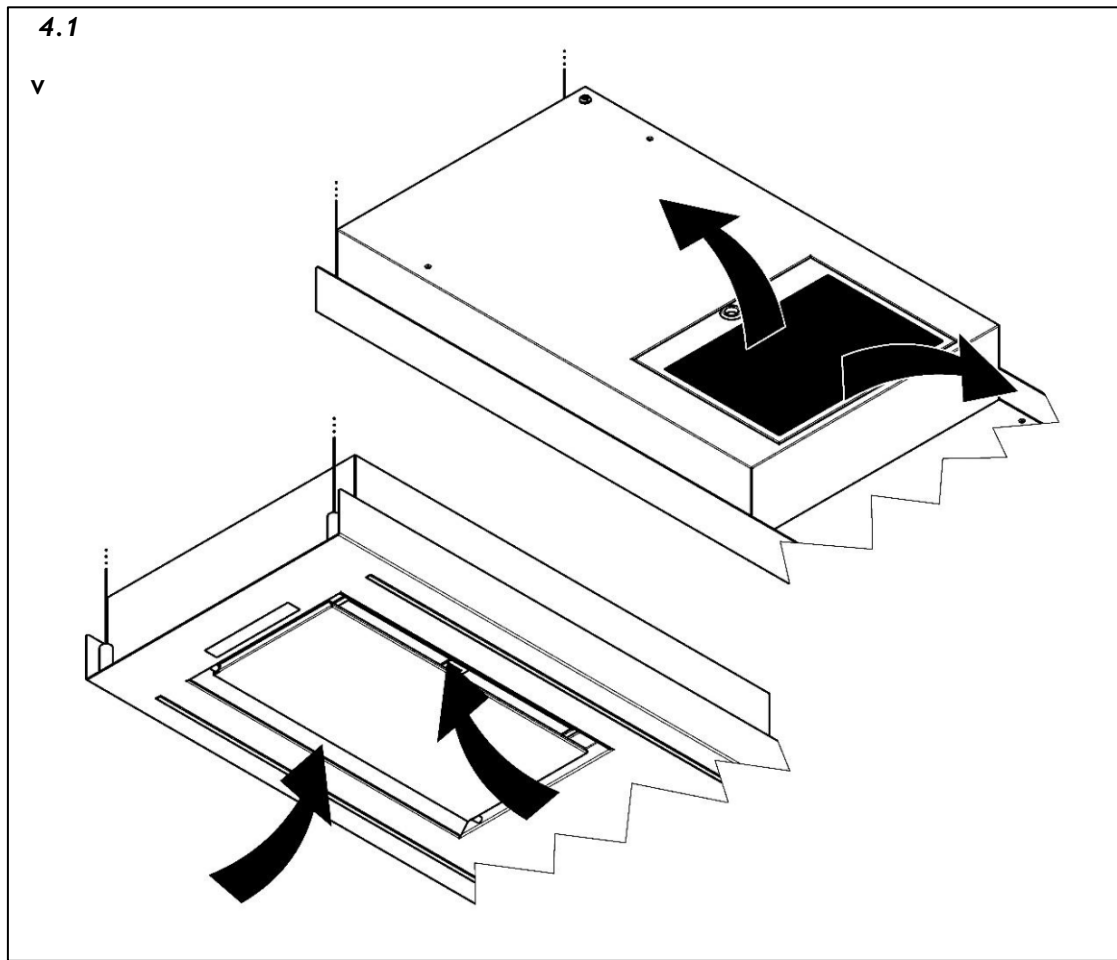
3.2.2







# Futuro Futuro



6.2.1

