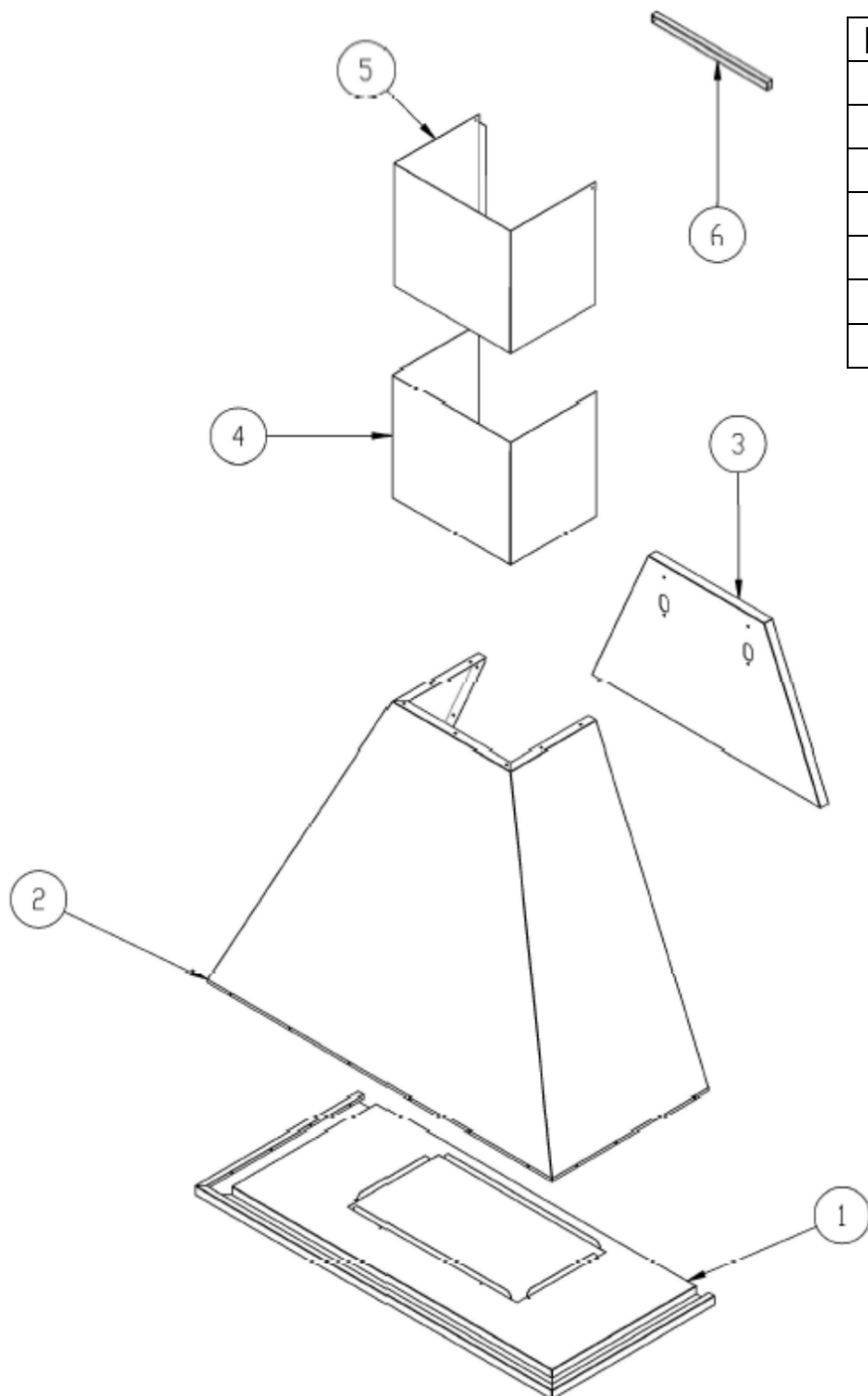
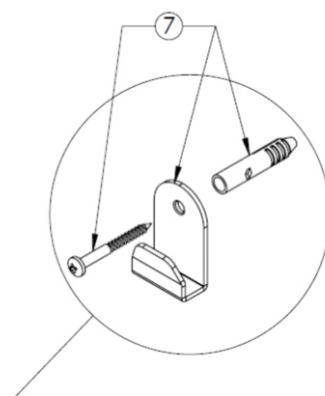


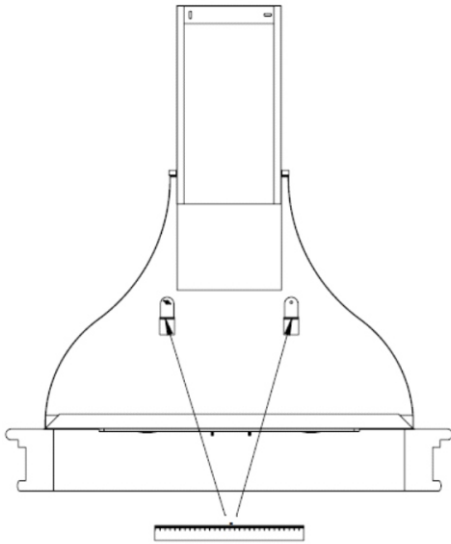
MODEL:  
36" CAMINO BLACK WALL RANGE HOOD



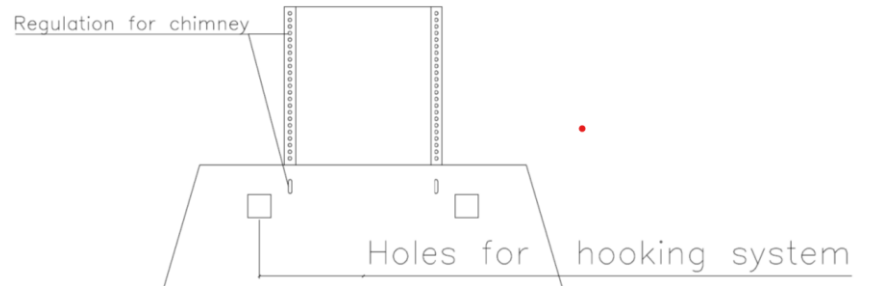
Nr	Description	Qt.
1	Metal frame	1
2	Metal body	1
3	Back	1
4	Fixed Chimney	1
5	Telescopic chimney	1
6	Chimney support	1
7	Expansion wall plug	1



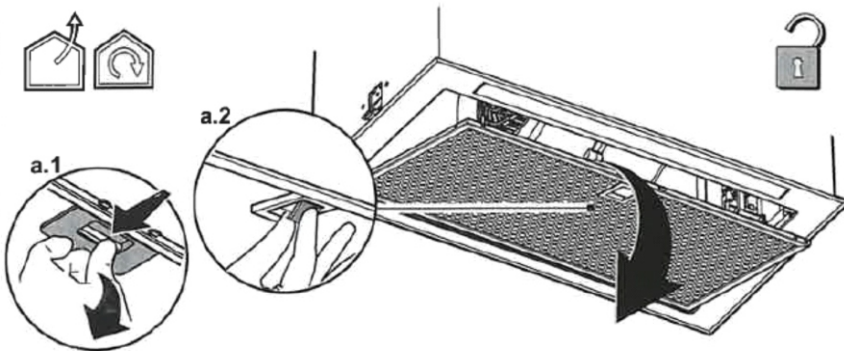
1. Inside the packaging cooker hood (1-2-3) will be ready to be mounted except for the chimney (4 )
2. Fix the chimney (4) to the hood by the provided screws inside the parcel. See below (A)
3. Drill the wall to place the expansion wall plug (7) measuring the distance of the holes in the back of the metal body (3)



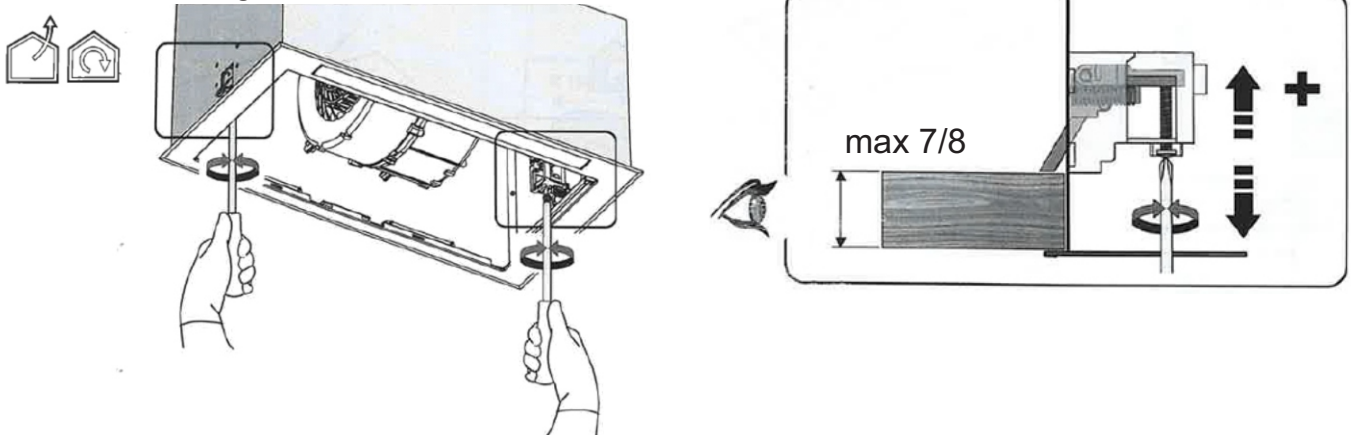
A. Join the chimney with the body of the hood



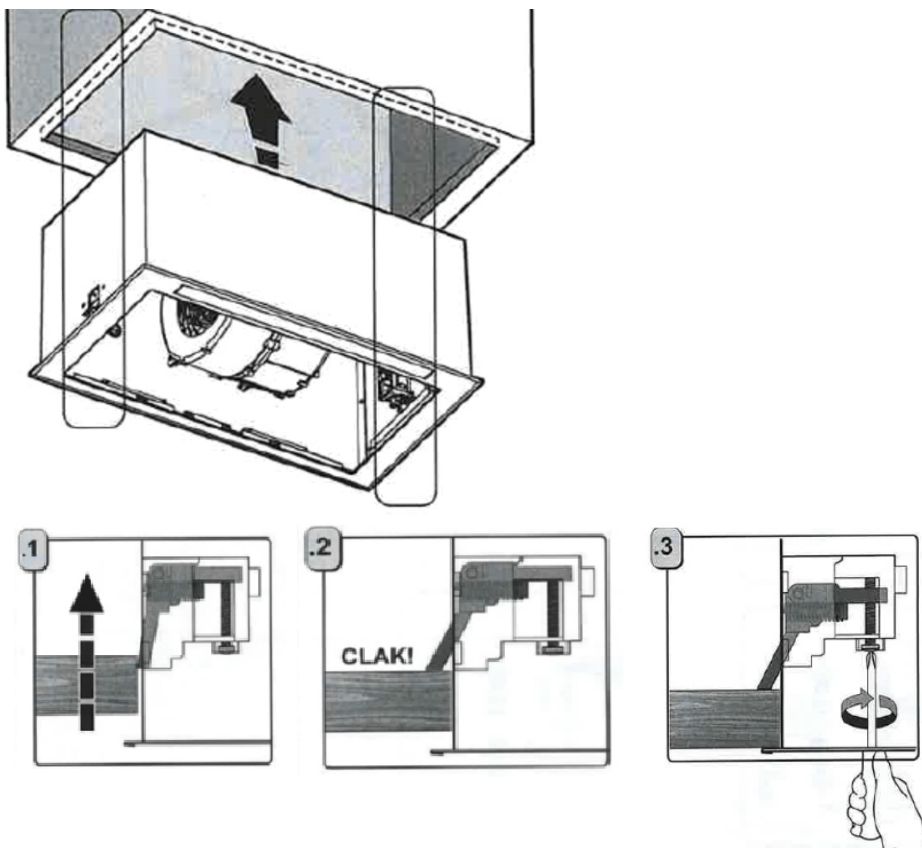
4. Place the mounted hood in the hooks previously mounted to the wall with the expansion wall plug (7).
5. Remove aluminium filter



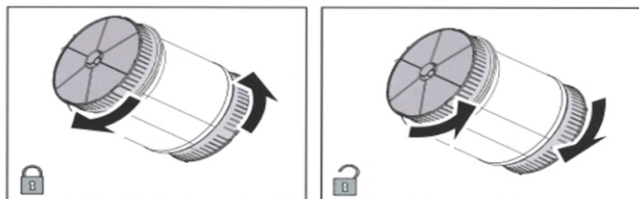
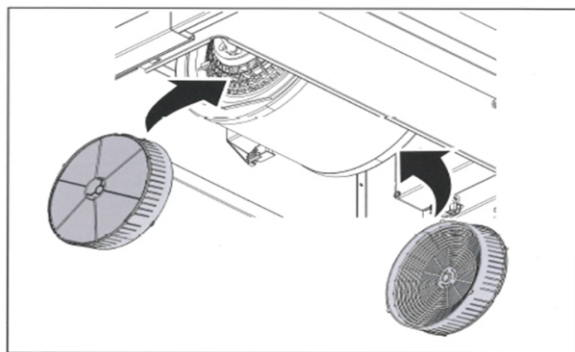
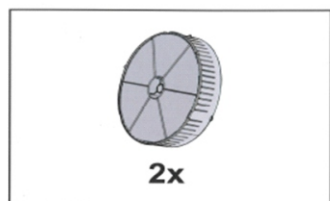
6. Lift the side wings as shown below



7. Place the blower inside the metal panel of the rustic hood



8. Installation carbon filter (optional)



For best hood performance, it's recommended to replace the carbon filter every 3-4 month