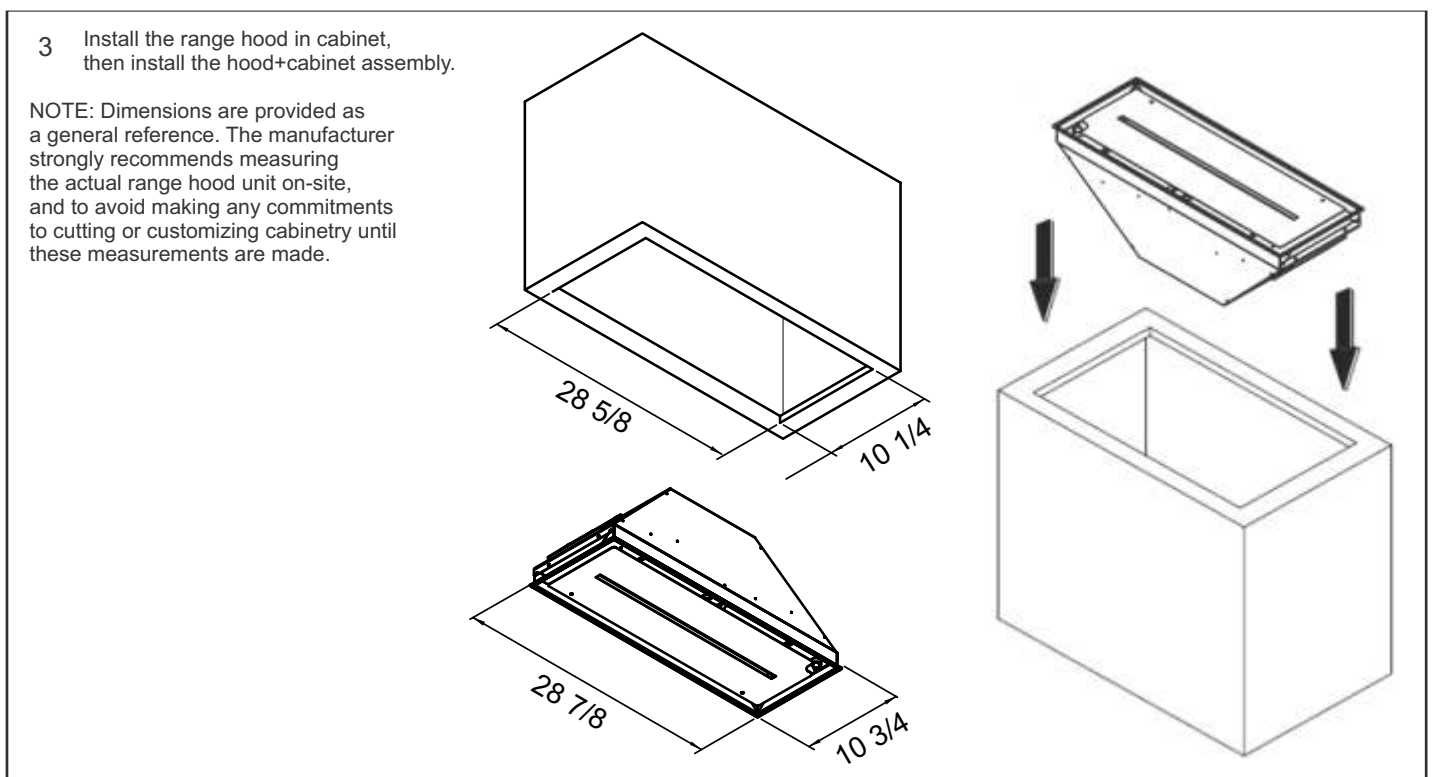
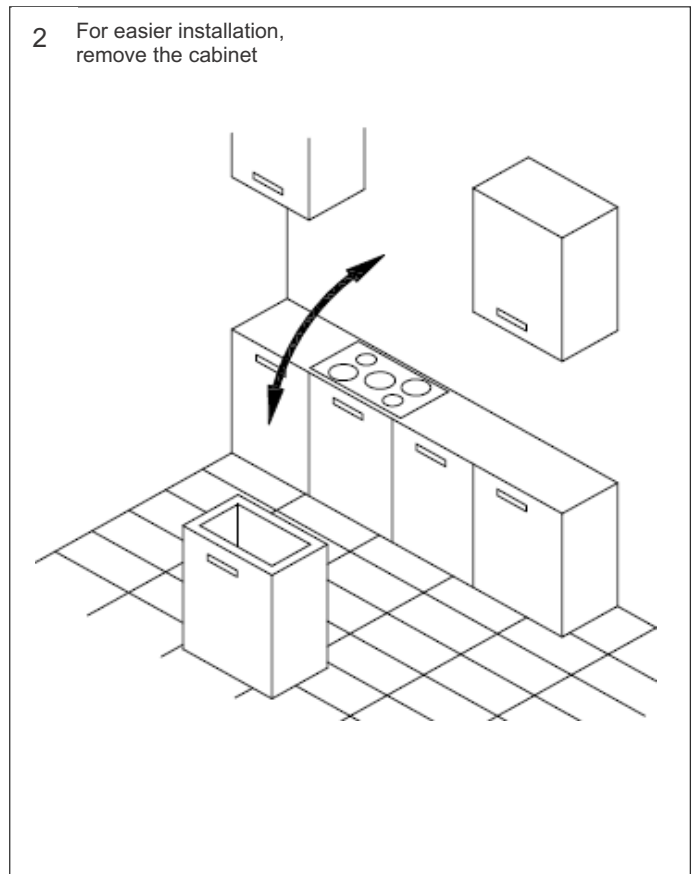
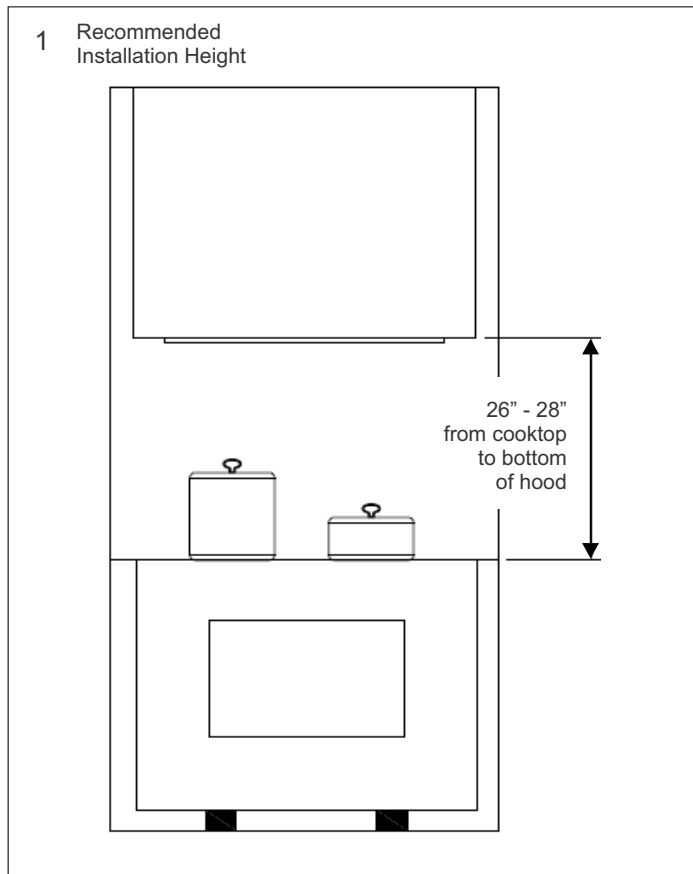
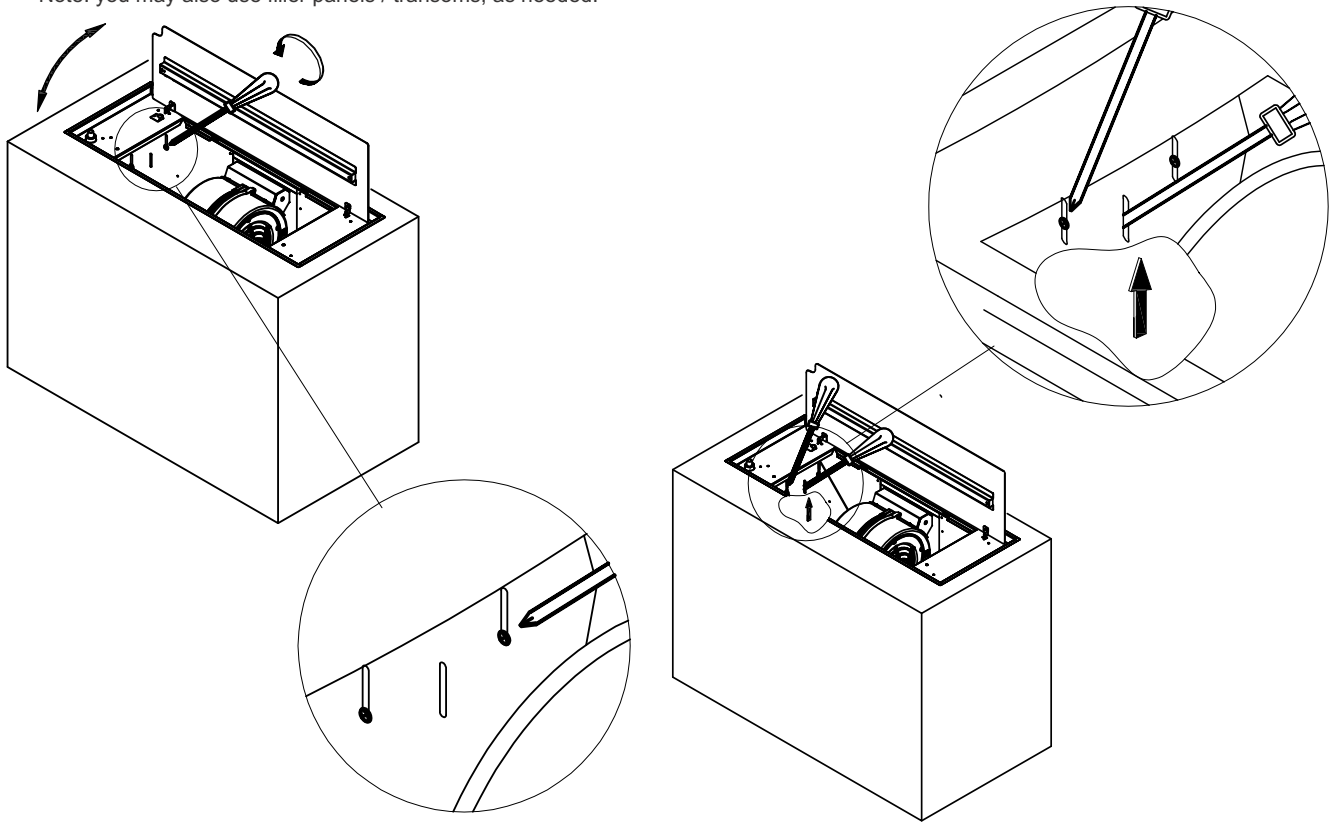


MODEL:
30" KELVIN INSERT

NOTE: PRIOR TO INSTALLATION
Please inspect range hood visually,
as well as connect it to power supply
and test its operation.



- 4 Insert hood into cabinet, and secure with screws. Adjust & level as necessary.
Note: you may also use filler panels / transoms, as needed.



Feature: rear exhaust (through-wall venting)

This model can exhaust through the top, or the rear. To exhaust through the rear (through wall):

- 1.) Remove 8 screws & lift out blower module (as shown);
- 2.) Disconnect the power plug (not pictured).
- 3.) Turn the blower module & re-insert into hood;
- 4.) Reconnect the power plug & replace 8 screws.

