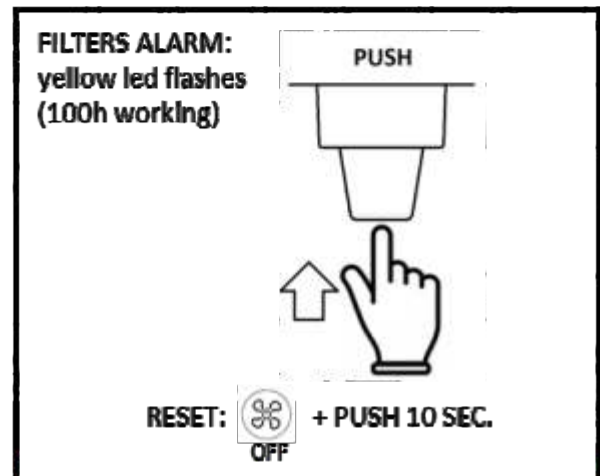
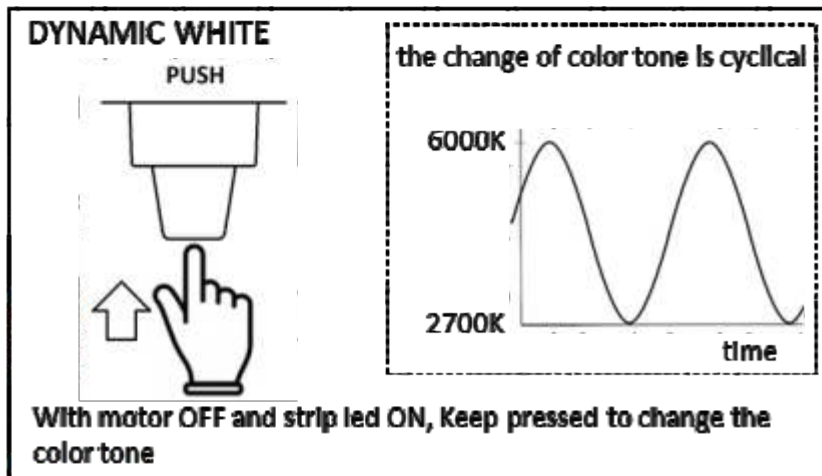
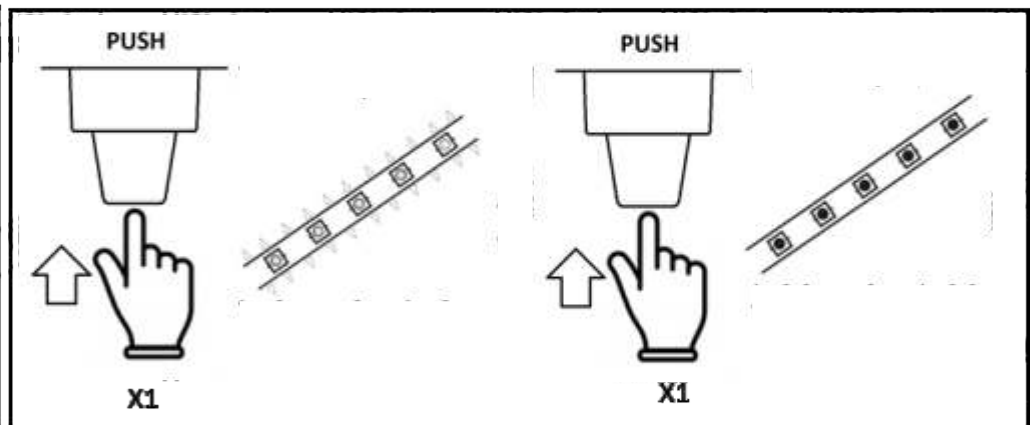
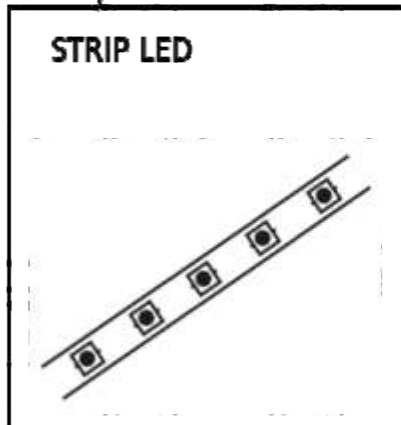
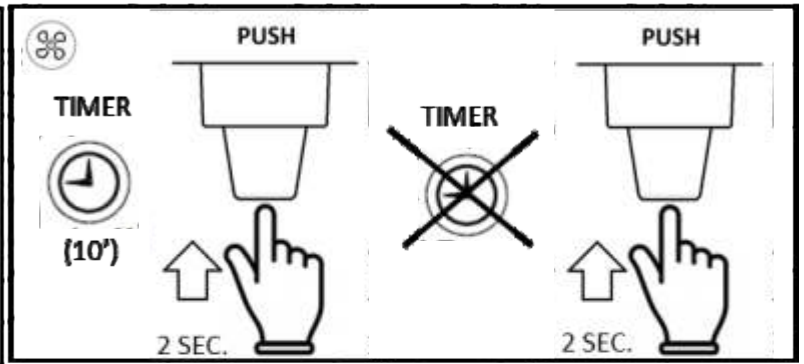
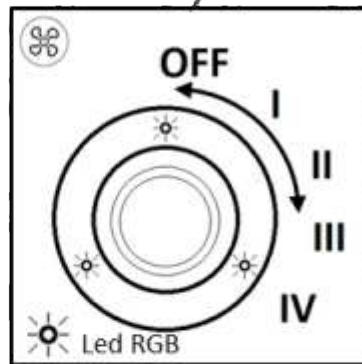
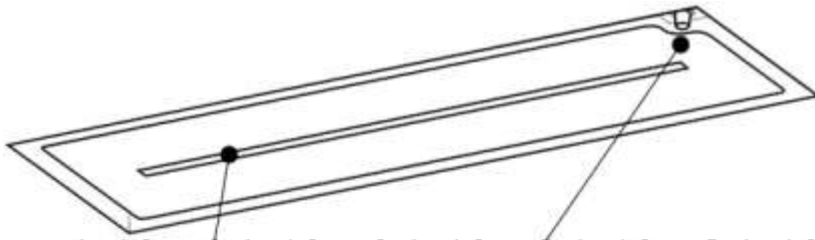
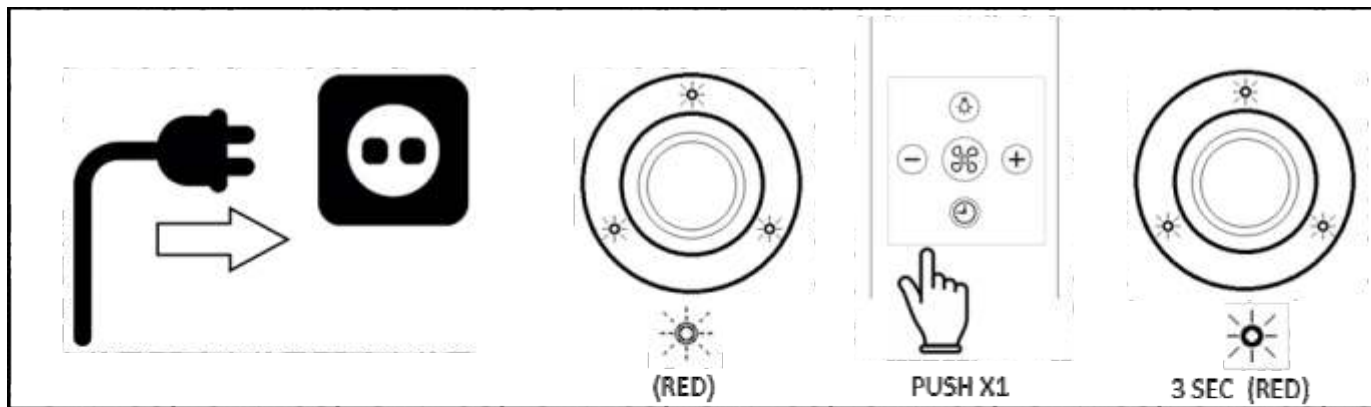


MODEL:
30" KELVIN INSERT



OPTIONAL: remote control learning process



CONNECT THE HOOD TO THE POWER SUPPLY	red LED flashes (learning process)	Presser any button within 1'	Learning process OK, red LED will be on continuously for 3sec
--------------------------------------	------------------------------------	------------------------------	---

This section details the control panel's functions. On the left is a vertical panel with four buttons: a fan icon, a plus sign, a minus sign, and a clock icon. The main area contains three rows of function diagrams:

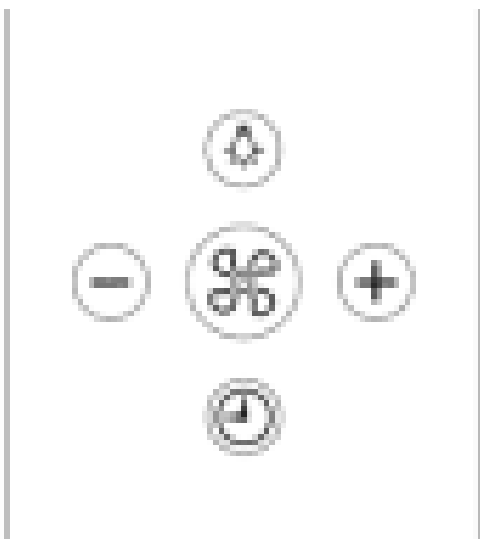
- Motor Speed Control:** A fan icon is shown next to the text 'ON: MOTOR 2nd speed / OFF'. To the right, a plus sign icon is labeled 'UP SPEED MOTOR' with a wedge-shaped speed indicator, and a minus sign icon is labeled 'DOWN SPEED MOTOR' with an inverted wedge-shaped speed indicator.
- Timer Function:** A clock icon is shown next to the text 'TIMER (10')'. A hand pressing the clock icon is labeled 'PUSH X1'. A crossed-out clock icon is also shown, indicating a specific timer setting.
- Light Strip Control:** A light bulb icon is shown next to a hand pressing the light bulb icon, labeled 'PUSH X1'. This is followed by a diagram of a light strip with four buttons, and another hand pressing the light bulb icon, labeled 'PUSH X1', indicating the strip's operation.

DYNAMIC WHITE

The diagram shows a hand pressing the light bulb icon. To the right, a graph titled 'the change of color tone is cyclical' plots color temperature in Kelvin (K) against time. The y-axis has markers for 2700K and 6000K. The graph shows a cyclical wave oscillating between these two values.

With motor OFF and strip led ON, Keep pressed to change the color tone

OPTIONAL: REMOTE CONTROL



- 1 (top) - LIGHTS ON/OFF - turns the lights on and off.
- 2 (left) - SPEED DECREASE - lowers the blower speed.
- 3 (center) - BLOWER ON/OFF - turns on the blower at 2nd speed / turns off the blower.
- 4 (right) - SPEED INCREASE - increases the blower speed. At 4th speed (maximum), the LED will flash, and after 5 minutes, the hood will automatically decrease to 2nd speed.
- 5 (bottom) - TIMER - Delayed Shut-Off Function: pressing this button will activate a 10-minute timer, after which the hood will automatically shut off.

REMOTE CONTROL LEARNING MODE ("PAIRING"):

Range hood models equipped with a remote control are already configured. Models for which an optional remote control was purchased, need to have the remote set up at the 1st use.

To set up the remote:

1. DIGITAL / TOUCH / SOFT TOUCH CONTROLS: With the range hood turned OFF, press and HOLD the "+" button for 5 seconds.
SOFT TOUCH CONTROLS WITH BACKLIGHT: With the range hood turned OFF, press and HOLD the "4" button for 5 seconds.
2. The LED or backlight (depending on model) will start flashing. This indicates that the hood is in "Remote Learning Mode".
3. Press any button on the remote control.
4. LED or backlight will change from flashing to continuously lit for 3 seconds, then turn off.
5. Confirm that the remote has been "paired" with the range hood by using its controls. If the range hood does not respond, turn it off and repeat the learning procedure. If the procedure fails, replace the battery/batteries in the remote control with fresh ones, and try it again.