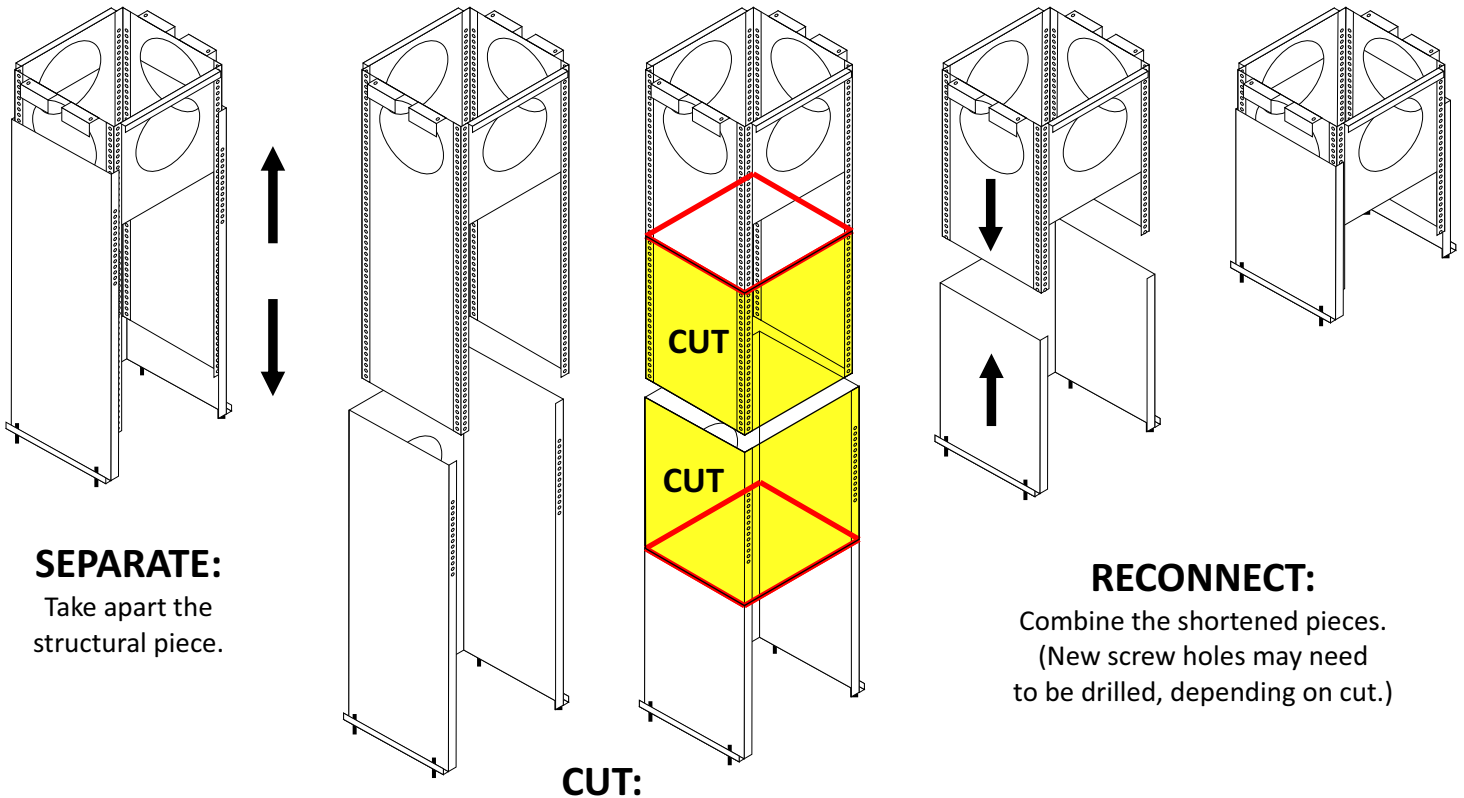


CHIMNEY HEIGHT MODIFICATION

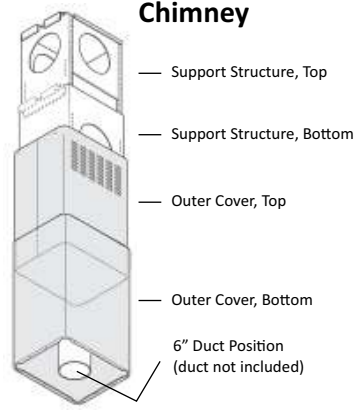


SEPARATE:
Take apart the structural piece.

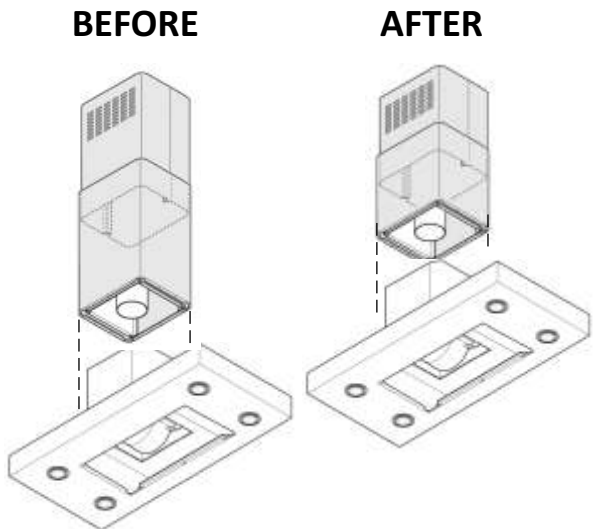
RECONNECT:
Combine the shortened pieces.
(New screw holes may need to be drilled, depending on cut.)

CUT:
Measure the desired height, and cut the structural piece components to new height.

Height-Adjustable Island Range Hood Chimney



NOTE:
You may also need to cut the outer cover (polished stainless steel), to match the height of the shortened structure.



Disclaimer: the above instructions are intended as a supplementary/advisory material. No guarantee of suitability to any particular installation requirements is expressed or implied.

www.FuturoFuturo.com

2201 John P Lyons Lane, Hallandale, FL 33009
Toll-Free: (800) 230-3565 Tel: (718) 236-1570
futurofuturo@optonline.net